

# MTU-GLR

MTU-GLR-WR-3  
MTU-GLR-WR-4  
MTU-GLR-EX-3  
MTU-GLR-EX-4  
MTU-GLR-25  
MTU-GLR-3  
MTU-GLR-4  
MTU-GLR-5  
MTU-GLR-6



MTU-GLR-WR Shown

# Contents

1. General Information . . . . .	3
1.1 Introduction . . . . .	3
1.2 Registration . . . . .	5
1.3 Customer Service and Parts . . . . .	5
1.4 Safety Signs (Decals) . . . . .	6
1.5 Warranty . . . . .	6
2. Safety Section . . . . .	7
2.1 Safety is Your Responsibility . . . . .	7
2.2 Safety Signal Words . . . . .	7
3. Operation Section . . . . .	8
3.1 General Operating Safety Instructions . . . . .	8
3.2 Operating Instructions . . . . .	10
4. Routine Service Items . . . . .	12
4.1 Adding Fluid to Pump Reservoir . . . . .	12
4.2 Replacing the Fuse . . . . .	13
4.3 Checking Control Switch Fuse . . . . .	14
5. Replacement Safety Signs (Decals) . . . . .	14
5.1 Placement of Decals . . . . .	14
6. Troubleshooting . . . . .	25
7. Limited Warranty . . . . .	28
7.1 Limited Warranty . . . . .	28
7.2 Warranty Policy and Procedure . . . . .	29

# 1. General Information

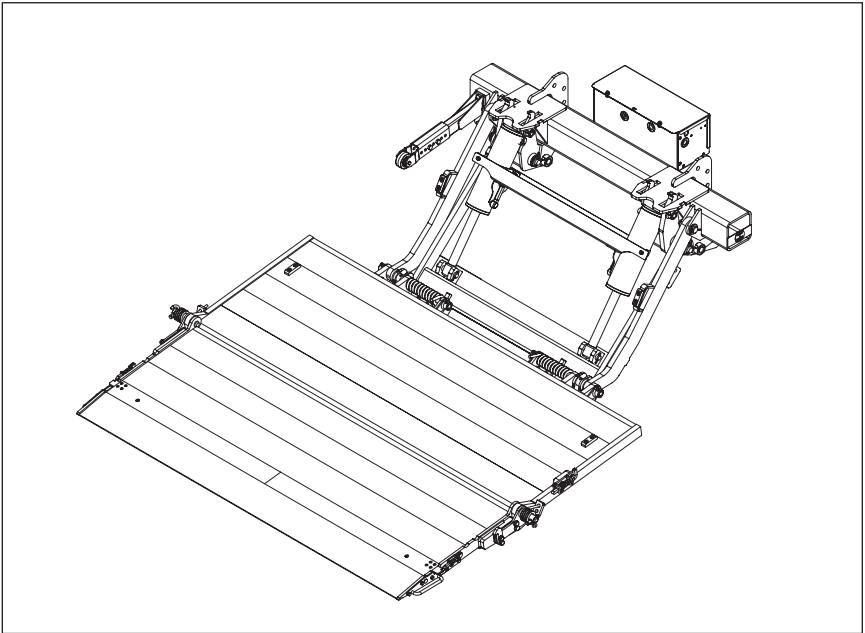
---

## 1.1 Introduction

Congratulations on selecting an Anthony Liftgates MTU-GLR TuckUnder™ liftgate.

All Anthony tuckunder model liftgates are factory assembled, energized, and tested to ensure the highest quality performance standards. MTU-GLR liftgates ship completely assembled for fast, clean, and easy installation.

To ensure your liftgate will perform to your expectations, we have provided this Operation Manual, which is designed to provide you with the necessary operation instructions and safety precautions for the operation of the MTU-GLR TuckUnder™ liftgates.





## **Read, Understand, and Follow Instructions**

To avoid personal injury or death, carefully read and understand all instructions pertaining to this Anthony Liftgate. Do not attempt to operate this product without fully understanding all of the instructions and safety recommendations.

Do not operate a truck or the liftgate unless you read and understand the instructions and warnings in this Operation Manual and other related manuals for the truck.

If any doubt or question arises about the correct or safe method of performing anything found in this manual, contact your Anthony Liftgates' dealer. Proper care is your responsibility.



A platform restraining system may be designed into your particular liftgate to keep certain types of cargo from rolling off of the liftgate platform. These

restraining devices may include a cart stop, retention ramp, fencing, straps, etc. These devices should always be used for their designed function, which is to prevent the possibility of severe personal injury or death due to cargo shifting and/or falling from the liftgate platform.



All users of this liftgate must be at least 18 years old and have read and understood all operation instructions and safety decals before use.



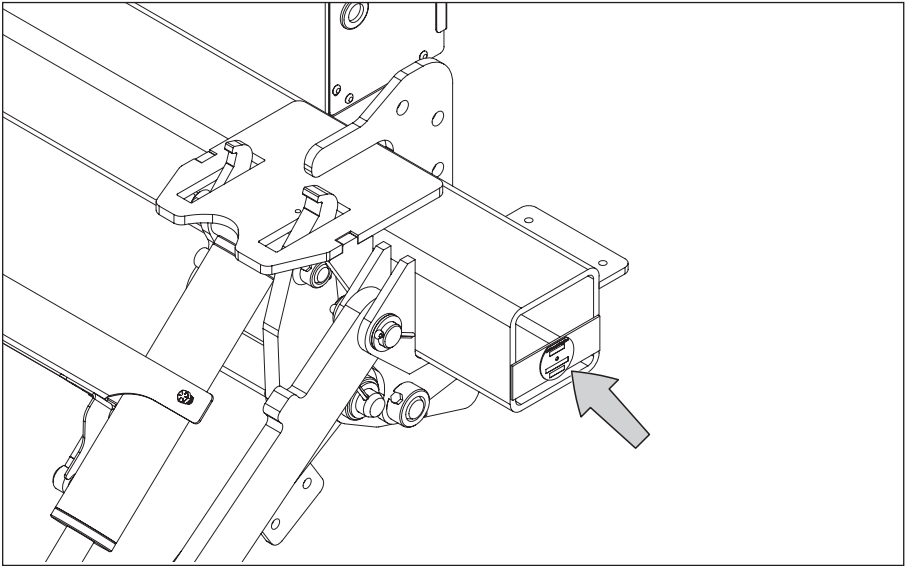
## **Crush Hazard**

Unsecured loads, when moved on the liftgate, can shift or fall. To prevent personal injury or death, make sure loads are securely fastened to the liftgate or restrained by cart stops, a retention ramp, or fencing.

## 1.2 Registration

To register your liftgate go to **www.anthonyliftgates.com**, Customer Service, and then Product Registration.

Before calling your authorized dealer with questions or other product information requests, have the serial number, model number, and lift capacity of your liftgate available. This information is stamped into the identification plate on the curbside of the adapter frame and will help us verify your warranty information and your specific liftgate.



Model and Serial Number Identification Plate.

Record the serial number, model number, date of installation, and load capacity for easy reference when contacting your authorized dealer with questions.

Serial Number Information	
Serial No.	
Model No.	
Date of Installation	
Lift Capacity	

## 1.3 Customer Service and Parts

For service or ordering replacement parts, contact an authorized dealer by going to **www.anthonyliftgates.com** and selecting the FIND A DEALER tab. Enter your zip code to find the nearest authorized service location.

## 1.4 Safety Signs (Decals)

### **SAFETY INSTRUCTIONS**



**To prevent personal injury from not being aware of safety recommendations, make sure all decals are attached to the liftgate and/or truck and are legible at all times!**

Safety signs (decals) provide a vital role in helping reduce injury and/or death. To ensure the greatest level of safety, all decals must be attached to the liftgate and be legible at all times. Remember, it is the users' responsibility to maintain these decals. For decal placement, or a complete part number list and illustration of the decals used on the MTU-GLR tuckunder liftgate, refer to "5. Replacement Safety Signs (Decals)" on page 15 in this manual.

## 1.5 Warranty

For a detailed copy of the Warranty Statement, refer to "7. Warranty Section" on page 30.

1. Unauthorized modifications or use of the liftgate may cause it to improperly operate or cause other unforeseen problems or dangers. If any deviation is deemed necessary, written permission must first be obtained from Anthony Liftgates.
2. All decals must be attached and legible or all warranties are void.

## 2. Safety Section

---

### 2.1 Safety is Your Responsibility



It is the responsibility of the user to understand and properly use this liftgate. Be aware of the inherent dangers in the use of this product.

Read and understand all Warnings, Cautions, Notices, and Safety Instructions in this manual, on the liftgate, or on the truck.

Accidents can often be avoided by being alert and recognizing potentially hazardous situations. Anyone operating the liftgate must have the necessary training, skills, and tools required to perform these functions properly and safely. The safety information in this manual serves as a basic guide in an attempt to prevent injury or even death.

Anthony Liftgates cannot anticipate every possible circumstance that might involve a potential hazard. The identification of hazardous situations in this manual and on the product itself are, therefore, not all-inclusive. If procedures, work methods, or operating techniques that are not specifically mentioned by Anthony Liftgates are used, you must satisfy yourself that they are safe for you and for bystanders. Make sure the liftgate or truck it is mounted onto will not be damaged or made unsafe by any operating method you choose.

DO NOT proceed if any doubt arises about the correct or safe method of performing anything found in this or other related equipment manuals. If in doubt, seek out expert assistance from a qualified person before continuing.

### 2.2 Safety Signal Words



Personal injury hazards are identified by the “Safety Alert Symbol” and followed by a signal word such as **WARNING** or **CAUTION** to indicate the severity of the hazard.



This safety alert icon surrounds an image showing a specific type of injury which should be avoided.



**WARNING**

Indicates a potentially hazardous situation which, if not avoided, **COULD** result in death or serious injury.



**CAUTION**

Indicates a potentially hazardous situation which, if not avoided, **MAY** result in minor or moderate injury.

**NOTICE**

*Indicates that equipment or property damage can result if instructions are not followed.*

**SAFETY  
INSTRUCTIONS**

Indicates specific safety-related instructions or procedures.

**Note:** Contains additional information important to a procedure.

## 3. Operation Section

### 3.1 General Operating Safety Instructions



Do not use this liftgate for any other purpose than its intended use of loading and unloading cargo from the bed of a truck.



Do not overload the platform. The maximum rated capacity is based on an evenly distributed load on the platform's flat surface.



#### Crush Hazard

– Do not stand in the platform's work area while operating the liftgate. Serious injury or death could result if the load shifts, falls, or is unstable on the platform.

– Do not go under the liftgate while it is in a raised position.

Accidental lowering could cause serious crushing injuries.

– Do not stand under or place any object under the liftgate work area.



To prevent personal injury, immediately clean up any spilled fluid on the liftgate platform. To avoid tripping, do not leave anything laying on the platform or around the work area.

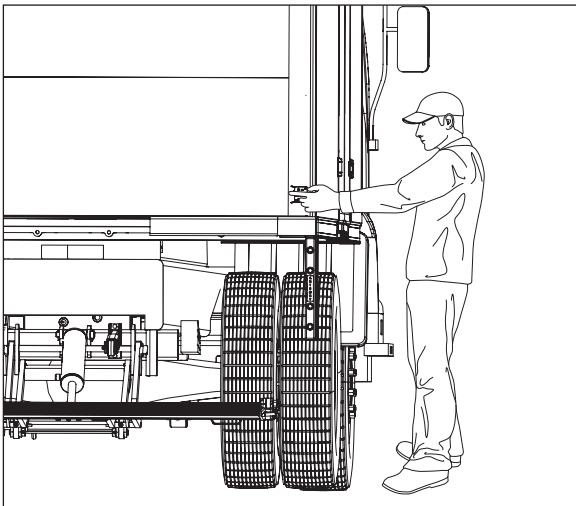


Do not allow children to play on/around or operate the liftgate.



Anthony Liftgates recommends not riding the liftgate; however, if the operation requires it, make sure

your footing is stable before raising or lowering the platform. Always stand away from the edge. When on the ground, always stand clear of the liftgate when it is operating.





**CAUTION**



Always use/set the truck's parking brake and remove the ignition key before operating the liftgate. Failure to follow this recommendation can result in injury.



Do not place hands or feet in pinch points, between the platform and the platform extension, or under the edge of the liftgate.

**SAFETY INSTRUCTIONS**



Do not allow the liftgate to be used by persons unfamiliar with its operation.



Visually inspect the liftgate before use to make sure all parts are in good working condition and operates freely. Have any damaged parts replaced immediately.



To prevent possible injuries due to improper operation, make sure all decals are attached to the liftgate and/or truck and are legible at all times.



Always use three points of contact during ingress or egress of the truck or platform.



Make sure the area in which the platform will open and close is clear before opening, closing, raising, or lowering the platform.



Always place the load as close to the center of the platform as possible and as close to the truck as possible.



Only operate the liftgate with the switch controls mounted on the truck body unless an optional hand-held remote is installed.



Do not operate lift trucks on or over any part of the platform.

## 3.2 Operating Instructions

Many liftgates are installed with a cut-off solenoid or a cut-off switch to prevent accidental or unauthorized use of the liftgate by disconnecting power from the battery to the power unit. If not installed, Anthony Liftgates strongly recommends the installation of one of these devices.

1. Raise and slide the latch pin toward the curbside of the liftgate.

### NOTICE

*Do not force the pin to open. In some cases, the liftgate can settle down against the pin causing it to bind or be very difficult to slide. If the pin does not slide easily, slightly raise the liftgate to relieve pressure on the latch pin.*

2. Press and hold the control switch in the DOWN position until the folded platform rests on ground.



### CAUTION

**Always stand on curbside of truck when raising or lowering platform with control switch.**

3. Manually unfold main platform.



### CAUTION

**Always stand on curbside of truck when unfolding platform.**

4. Manually unfold flipover section.



### CAUTION

**Always stand on curbside of truck when unfolding flipover section.**

5. Raise and lower platform using UP and DOWN functions of control switch.

### SAFETY INSTRUCTIONS

**Do not bounce the platform by pushing and releasing the control switch abruptly.**

### NOTICE

*Do not allow the motor/pump to run after the liftgate is closed, or in the up position.*

6. Reverse steps to fold and store platform. Make sure platform is locked in storage position with latch pin after use.

### SAFETY INSTRUCTIONS

**When placing the liftgate in the storage position (folding), slowly fold the platform until it contacts the wheel arm assembly. Lock the liftgate into the storage position with the latch pin whenever the liftgate is not in use.**

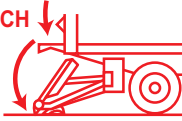
# ANTHONY "MTU-GLR" SERIES LIFTGATE OPERATING INSTRUCTIONS

- 1** UNLATCH LIFTGATE BY TWISTING, THEN SLIDING "LATCH PIN" IN DIRECTION OF ARROW.

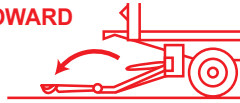


- 2** LOWER PLATFORM BY PUSHING CONTROL SWITCH TO "DOWN" POSITION.

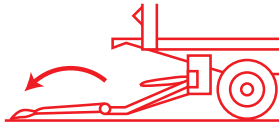
PLATFORM WILL BEGIN TO OPEN AS IT LOWERS



- 3** UNFOLD PLATFORM BY PULLING PLATFORM HANDLE OUTWARD AND TOWARD GROUND.



- 4** UNFOLD "FLIP" SECTION



- 5** TO RAISE THE PLATFORM:  
PRESS THE "UP" BUTTON, PLATFORM WILL TILT UP, THEN BEGIN TO RAISE.

-OR-

TO LOWER THE PLATFORM:  
PRESS THE "DOWN" BUTTON, PLATFORM LOWERS UNTIL IT CONTACTS THE GROUND, THEN TILTS DOWNWARDS TOWARDS GROUND.

NOTE: PLATFORM RIDES THRU THE LIFTING AND LOWERING CYCLE. AS THE ROLLERS CONTACT THE GROUND WHEN LOWERING, THE PLATFORM BEGINS TILTING, CONTINUE UNTIL THE RAMP EDGE TOUCHES THE GROUND. LOAD/UNLOAD THE PLATFORM.

- 6** TO PLACE LIFTGATE BACK TO STORED POSITION, LOWER PLATFORM TO GROUND AND REVERSE STEPS 1, 2, 3, & 4.

**ANTHONY LIFTGATES, INC**  
1037 WEST HOWARD ST. PONTIAC, IL 61764

A-131045

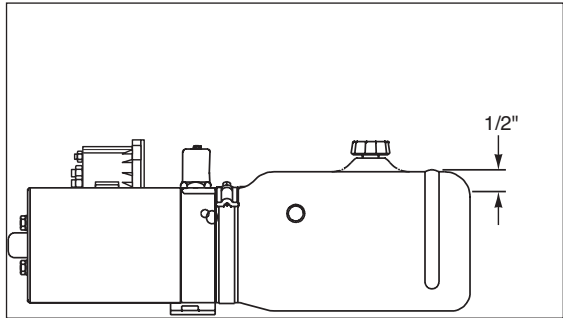
## 4. Routine Service Items

### 4.1 Adding Fluid to Pump Reservoir

1. Check oil level.

#### Power Down Models

With the platform fully raised, the oil level should be within 1/2 inch of the top of the reservoir.



2. Add oil to fill the reservoir to the appropriate fill level.

#### **NOTICE**

*To prevent damage to the pump, use only the recommended Hyken Glacial Blu anti-wear, low-viscosity, hydraulic fluid in the power unit reservoir.*

*In an emergency, use any anti-wear hydraulic fluid, but flush the system and replace it with our recommended fluid soon as reasonably possible. Do not mix hydraulic oil and automatic transmission fluid due to possible compatibility problems.*


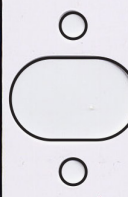
*Use the appropriate viscosity of fluid based on the surrounding climate conditions. Viscosity is important because the pump will not cause a temperature increase to the oil in the reservoir, like a typical closed-loop hydraulic system.*

*DO NOT use brake fluid in place of our recommended fluids.*

3. Change the fluid if it is contaminated or dirty, or every 12 to 24 months, depending on use.

## 4.2 Replacing the Power Cable Fuse

### 4.2.1 Replacing the 200 Amp Fuse

<b>⚠ WARNING</b>	
	<p>View fuse through clear fuse holder, if blown, replace as follows: <b>Liftgate fuse changing procedure.</b></p> <p><b>Warning!</b> To avoid injury, disconnect the liftgate's power from the battery(ies) before replacing the fuse, or before disassembling the fuse holder. Do not ignore this warning or an "arc" can occur and personal injury or property damage could result.</p> <ol style="list-style-type: none"><li>1. Pull back rubber boots from fuse holder.</li><li>2. Unscrew the fuse holder ends from the fuse holder body and pull apart.</li><li>3. Slide the fuse holder body one direction (left or right) to expose the blown fuse.</li><li>4. Loosen screws from each end of fuse, remove and replace fuse. Tighten screws.</li></ol> <p><b>Contact Anthony Liftgates for fuse specifications.</b></p> <ol style="list-style-type: none"><li>5. Re-assemble in reverse order. Be sure the rubber boots seal around the fuse holder and cable.</li><li>6. Re-connect power after you are certain liftgate area is clear.</li></ol> <p><b>Note:</b> Check for spare fuse in liftgate manual packet. If fuses continue to blow contact a qualified mechanic to remedy the problem.</p> <p>Anthony Liftgates, Inc.      Ph: 800-482-0003      A-131036</p>
	

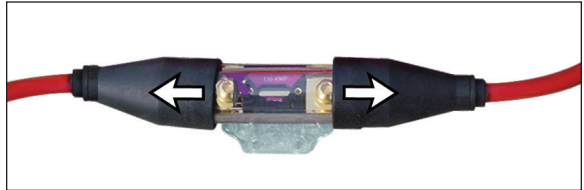


### **Electrical Arc Hazard**

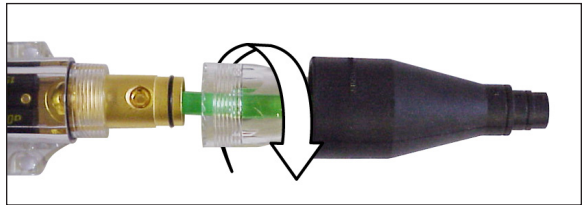
**An electric arc can cause personal injury or damage to the trucks electronics. To**

**avoid personal injury or damage, disconnect the power cable from the vehicle battery or batteries before disassembling the fuse holder to replace the fuse.**

1. Slide the rubber boots away from the fuse holder.



2. Unscrew the fuse holder ends from the fuse holder body and pull it apart.



3. Slide the fuse holder body one direction (left or right) to expose the damaged fuse.
4. Loosen the screws from each end of the fuse, remove, and replace the fuse. Retighten the screws.
5. Reassemble the fuse holder in reverse order. Be sure the rubber boots are sealed around the fuse holder and power cable.
6. Reconnect the power after you are certain the liftgate area is clear.

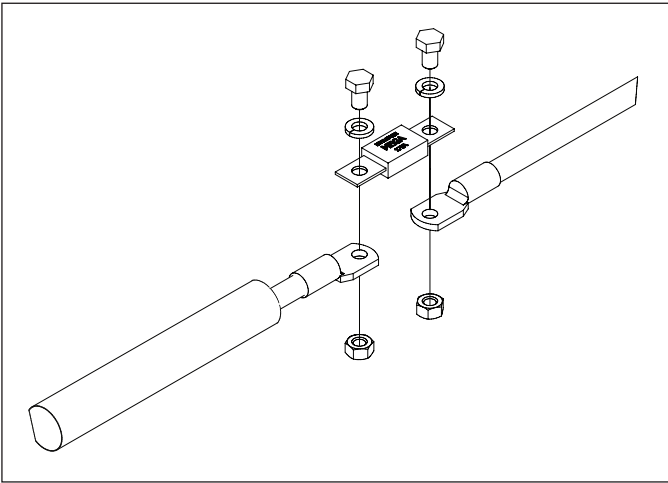
**Note:** If the fuse continues to blow, contact your authorized dealer.

## 4.2.2 Replacing the 175 AMP Fuse



To avoid injury or property damage, disconnect the liftgate's power cable from the battery before starting to replace the fuse. An "arc" can occur resulting in personal injury or property damage if the power cable is connected to the battery.

1. Cut the heat shrink tube to expose the fuse, mounting hardware, and lugs.
2. Remove the bolt, washer, and lock washer from each end of the fuse.
3. Use the A-133607, 175 Hi-Amp Fuse Replacement Kit for the replacement parts.
4. Slide the new heat shrink tube over one side of the wiring.
5. Bolt the new fuse to the cable lugs using the bolts, washers, and lock washer, as shown.

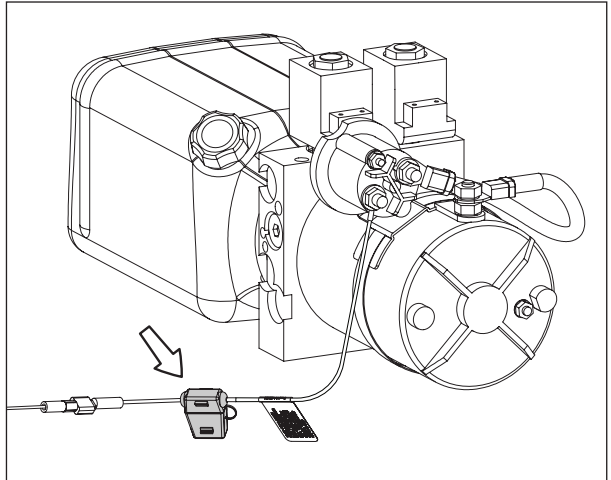


6. Slide the heat shrink tube over the fuse, hardware, and lugs. Using a heat gun apply heat evenly to shrink the tubing.
7. Reconnect the power cable to the battery after you are certain liftgate area is clear.

**Note:** If the fuse continues to blow, contact your authorized dealer.

### 4.3 Checking Control Switch Fuse

If the control switch is not operating the liftgate, check the in-line fuse located on the control cable inside the power unit box.



## 5. Replacement Safety Signs (Decals)

### 5.1 Placement of Decals

**SAFETY  
INSTRUCTIONS**

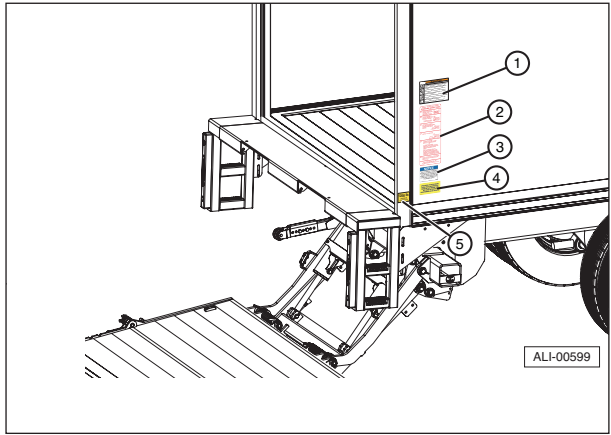


To prevent possible injuries due to improper operation, make sure all safety signs (decals) are properly placed and attached to the liftgate and/or truck and are legible at all times.

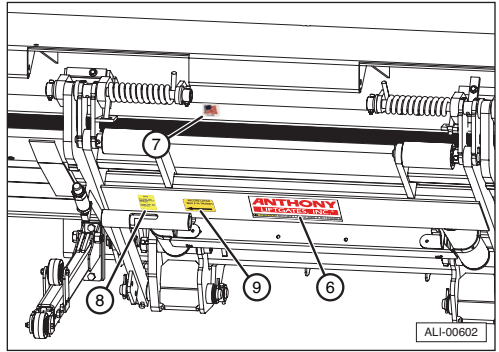
Safety signs or decals provide a vital role in helping to reduce injuries and/or death. To ensure the greatest level of safety, all decals must be properly placed and legible at all times. Remember, it is the users' responsibility to maintain these decals.

For replacement decals contact an authorized dealer by going to **[www.anthonyliftgates.com](http://www.anthonyliftgates.com)** and selecting the FIND A DEALER tab. Enter your zip code to find the nearest authorized service location.

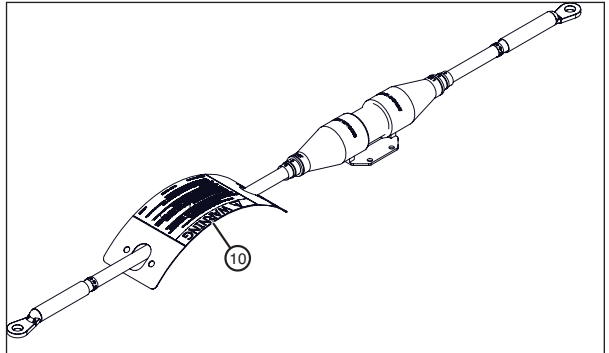
1. Warning Personal Injury Hazard Decal
2. Operating Instructions Decal
3. Electrical Overload Circuit Protection Decal
4. After Using Liftgate, Secure Latch Decal
5. Maximum Capacity Decal



6. Anthony Hydraulic Liftgate Label Decal
8. Disengage Latch Before Using Liftgate
7. Flag — Made in the USA
9. Secure Latch While in Transit

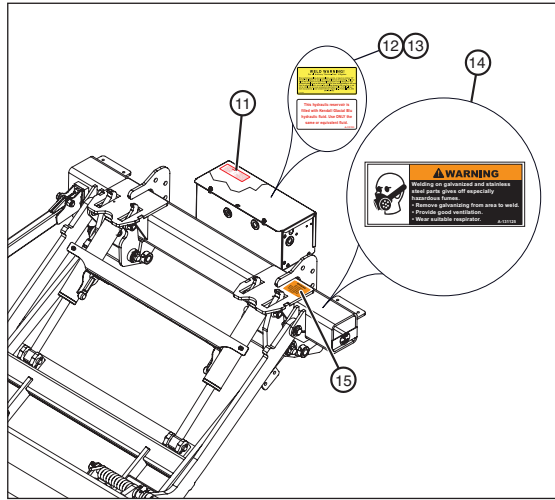


10. Liftgate Fuse Changing Procedure (200 AMP Fuse only)





- 11. Liftgate Fuse Changing Procedure (inside pump box)
- 12. Weld Warning
- 13. Hydraulic Fluid Kendall Glacial Blu
- 14. Warning - Welding Galvanized Material
- 15. Warning - Remove Bolts After Installation



Item	Part Number	Description
1	A-131115	Warning, Personal Injury
2	A-131045	Operating Instructions
3	A-150238	Notice - Protected With Electrical Overload Circuit Breaker
4	ATU-141	After Using Liftgate
5	A-131061 A-131062 A-171433 A-131120 A-131119	2500 Lb. Maximum Capacity 3000 Lb. Maximum Capacity 4000 lb. Maximum Capacity 5000 lb. Maximum Capacity 6000 lb. Maximum Capacity
6	A-131034	Anthony Label
7	A-150601	Made In The USA
8	A-131017	Note - Disengage Latch
9	ATU-143	Secure Latch While in Transit
10	A-131036	Warning, 200 Amp Fuse Changing Procedure (attached to power cable of 200 AMP fuse)
11	A-131001	10 Amp Fuse Changing Procedure (attached to control wiring in pump box)
12	A-131028	Weld Warning
13	A-131133	Hydraulic Fluid
14	A-131125	Warning, Galvanized Fumes Hazard (galvanized model only)
15	A-131106	Warning - Remove Bolts After Installation

**⚠ WARNING**

**PERSONAL INJURY HAZARD**



**Operation may require user to stand on platform. To prevent injury or death of operators or bystanders:**

- **Read and follow operator/owner manual for safety, operation, inspection, and maintenance instructions.**



- **Do not place unstable or unsafe loads on platform.**

- **Do not allow loads to extend over edge of platform.**



- **Be aware of surroundings when operating liftgate.**

- **Do not allow body parts to contact moving components.**



- **Ensure footing is stable and stand away from edge before raising or lowering platform.**

- **Owner/operators must properly maintain liftgate.**

A-131115

**ADVERTENCIA  
PELIGRO DE LESIÓN PERSONAL**

**La operación puede requerir que el usuario se pare sobre una plataforma. Para evitar lesiones o la muerte de operadores o transeúntes:**

- **Lea y siga las instrucciones del manual del operador o del propietario en cuanto a seguridad, operación, inspección y mantenimiento.**
- **No coloque cargas inestables o poco seguras sobre la plataforma.**
- **No permita que las cargas sobresalgan por el borde de la plataforma.**
- **No supere la capacidad máxima ni utilice el montacargas para ninguna otra cosa que no sea el propósito previsto.**
- **Preste atención a los alrededores cuando utilice el montacargas.**
- **Tenga cuidado de que ninguna parte del cuerpo esté en contacto con los componentes que están en movimiento.**
- **Asegúrese de estar sobre una superficie estable y aléjese de los bordes mientras la plataforma está subiendo o bajando.**
- **El debido mantenimiento del montacargas corre por cuenta del propietario o los operadores.**

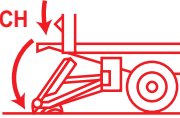
## ANTHONY "MTU-GLR" SERIES LIFTGATE OPERATING INSTRUCTIONS

- 1** UNLATCH LIFTGATE BY TWISTING, THEN SLIDING "LATCH PIN" IN DIRECTION OF ARROW.

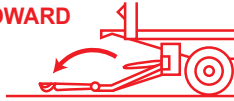


- 2** LOWER PLATFORM BY PUSHING CONTROL SWITCH TO "DOWN" POSITION.

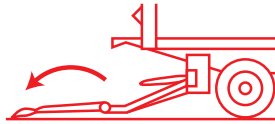
PLATFORM WILL BEGIN TO OPEN AS IT LOWERS



- 3** UNFOLD PLATFORM BY PULLING PLATFORM HANDLE OUTWARD AND TOWARD GROUND.



- 4** UNFOLD "FLIP" SECTION



- 5** TO RAISE THE PLATFORM: PRESS THE "UP" BUTTON, PLATFORM WILL TILT UP, THEN BEGIN TO RAISE.

-OR-

TO LOWER THE PLATFORM: PRESS THE "DOWN" BUTTON, PLATFORM LOWERS UNTIL IT CONTACTS THE GROUND, THEN TILTS DOWNWARDS TOWARDS GROUND.

**NOTE:** PLATFORM RIDES THRU THE LIFTING AND LOWERING CYCLE. AS THE ROLLERS CONTACT THE GROUND WHEN LOWERING, THE PLATFORM BEGINS TILTING, CONTINUE UNTIL THE RAMP EDGE TOUCHES THE GROUND. LOAD/UNLOAD THE PLATFORM.

- 6** TO PLACE LIFTGATE BACK TO STORED POSITION, LOWER PLATFORM TO GROUND AND REVERSE STEPS 1, 2, 3, & 4.

**ANTHONY LIFTGATES, INC**  
1037 WEST HOWARD ST. PONTIAC, IL 61764

A-131045

## INSTRUCCIONES DE MANEJO

- 1.** DESASEGURE EL ELEVADOR GIRANDO Y TIRANDO DEL PASADOR EN LA DIRECCION DE LA FLECHA.

- 2.** BAJE LA PLATAFORMA EMPUJANDO EL CONTROL HACI LA POSICION "DOWN."

La plataforma empezará a abrirse a medida que baja.

- 3.** DESDOBLE LA PLATAFORMA TIRANDO DE LA MANIJA HACIA AFUERA Y HACIA EL PISO.

- 4.** DESDOBLE LA SECCION PLEGADA "FLIP"

- 5.** PARA LEVANTAR LA PLATAFORMA: PRESIONE EL BOTÓN "ARRIBA", LA PLATAFORMA SE INCLINARÁ HACIA ARRIBA Y COMENZAR A LEVANTAR.

-O-

PARA BAJAR LA PLATAFORMA: PRESIONE EL BOTÓN "ABAJO". LA PLATAFORMA DISMINUYE AL TERRENO Y ENTONCES EL BORDE DE LA RAMPA SE BAJA.

**NOTA:** AL SUBIR O BAJAR, LA PLATAFORMA PERMANECE A NIVEL. EL BORDE DE RAMPA LUEGO TOCA EL TERRENO PARA CARGAR Y DESCARGAR.

- 6.** PARA GUARDAR LA UNIDAD DESPUES DE USARLA, BAJELA AL PISO E INVIERTA LOS PASOS

# NOTICE

THIS LIFTGATE IS PROTECTED WITH AN ELECTRICAL OVERLOAD CIRCUIT PROTECTION DEVICE, EITHER A CIRCUIT BREAKER, OR A FUSE, AND IS LOCATED NEAR THE POWER SUPPLY

A-150238

## AVISO

ESTE MONTACARGAS CUENTA CON UN DISPOSITIVO QUE PROTEGE EL CIRCUITO CONTRA LAS SOBRECARGAS ELÉCTRICAS, YA SEA UN DISYUNTOR O UN FUSIL, UBICADO CERCA DE LA FUENTE DE ALIMENTACIÓN.

**AFTER USING LIFTGATE, SECURE LATCH AND, IF EQUIPPED WITH POWER CUT OFF SWITCH, TURN OFF POWER TO PREVENT UNAUTHORIZED USE OF LIFTGATE.**

ATU-141

DESPUÉS DE UTILIZAR EL PANEL POSTERIOR, FIGE EL PASADOR, Y SI ESTÁ PROVISTO DE UN INTERRUPTOR DE CIERRE DE ALIMENTACIÓN, APAGUE LA POTENCIA PARA EVITAR EL USO NO AUTORIZADO DEL PANEL POSTERIOR



## CAPACIDAD MÁXIMA



Make sure the proper “MAXIMUM CAPACITY” decal is placed on the truck for the appropriate lifting

capacity of the liftgate being installed. Do not put a higher rated decal on a liftgate with a lower capacity; this could result in liftgate damage or possibly personal injury.



**PRECAUCIÓN**  
**BLOQUEE EL SEGURO MIENTRAS ESTÉ EN TRÁNSITO**



**Note:**

**Disengage "latch" before attempting to use liftgate.**

**Engage "latch" after using liftgate.**

A-131017

**Nota:**

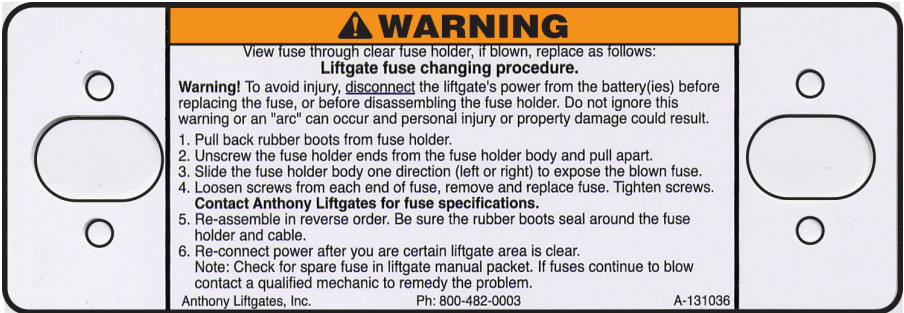
**Desenganche el "pasador" antes de intentar utilizar el panel posterior.**

**Enganche el "pasador" después de utilizar el panel posterior.**



Bloquear el pestillo en tránsito

10 — A-131036 (for 200 AMP Fuse Only)



Observe el fusible a través del portafusible transparente; si está quemado, cámbielo de la manera siguiente:

Procedimiento para cambiar el fusible de la compuerta elevadora.

**¡Advertencia!** Para evitar lesiones, **desconecte** la alimentación de la(s) batería(s) de la compuerta elevadora antes de cambiar el fusible, o antes de desarmar el portafusible. No pase por alto esta advertencia ya que puede formarse un arco eléctrico y causar lesiones corporales o daño al equipo.

1. Tire de las fundas de caucho del portafusible hacia atrás.
2. Destornille los extremos del portafusible del cuerpo del mismo y sepárelo.
3. Deslice el cuerpo del portafusible en un sentido (a la izquierda o derecha) para dejar al descubierto el fusible quemado.
4. Afloje el tornillo de cada extremo del fusible, retire y reemplace el fusible. Apriete los tornillos.
5. Vuelva a armar en orden inverso. Verifique que las fundas de caucho sellen bien alrededor del portafusible y cable.
6. Conecte la alimentación después de comprobar que el área de la compuerta elevadora está despejada.

Nota: Busque el fusible de repuesto en el paquete del manual de la compuerta elevadora. Si los fusibles siguen quemándose, comuníquese con un mecánico competente para que solucione el problem.

## 11 — A-131001 (attached to control cable)

**10 AMP FUSE & HOLDER**  
Protects against dead shorts in this "control circuit".  
If blown, pull "fuse holder cap", replace fuse, replace "cap". If fuse continues to blow, contact a qualified mechanic, "control circuit" may be damaged.

A-131001

**10 AMP FUSE & HOLDER**  
Protects against dead shorts in this "control circuit".  
If blown, pull "fuse holder cap", replace fuse, replace "cap". If fuse continues to blow, contact a qualified mechanic, "control circuit" may be damaged.

**FUSIBLE DE 10 AMPERIOS Y SOPORTE - Protege contra cortocircuitos francos en este "circuito de control". Si el fusible se quemó, quite la "tapa del soporte del fusible", cambie el fusible y vuelva a colocar la "tapa". Si el fusible continúa quemándose, comuníquese con un mecánico calificado, dado que el "circuito de control" podría estar dañado.**

## 12 — A-131028

### **WELD WARNING!**

For all Anthony "Service-Free" Liftgates

When performing welding during installation, service, or repair on Anthony "SF" Service-Free liftgates, the actual part being welded must be grounded. Failure to follow this instruction can cause the welding ground to travel through the high pressure hydraulic hose as the source of ground, thus causing damage to the hose from the powerful electric current. The resulting damage to the hose may or may not be visible and can cause unexpected catastrophic failure of the lift. If you have any questions, please contact Anthony Liftgates, Inc., Pontiac, Illinois, USA (800-482-0003).

A-131028

## **¡ADVERTENCIA ANTES DE SOLDAR!**

**PARA TODOS LOS ELEVADORES ANTHONY "SERVICE-FREE"**

**Cuando se tenga que soldar durante instalación, servicio o reparación de un elevador Anthony "SF" Service-Free, la pieza que se está soldando debe estar a tierra. El no seguir esta instrucción causará que la tierra de la máquina soldadora viaje a través de la manguera hidráulica de alta presión hasta la fuente de tierra. La intensa corriente eléctrica dañará la manguera. El daño resultante puede ser visible o invisible, y puede causar una inesperada falla catastrófica del elevador. Si usted tiene alguna pregunta al respecto, por favor contacte Anthony Liftgates, Inc., Pontiac, Illinois, USA. (800-482-0003)**



**This hydraulic reservoir is filled with Kendall Glacial Blu hydraulic fluid. Use ONLY the same or equivalent fluid.**

A-131133

**El depósito hidráulico está lleno con líquido hidráulico Kendall Glacial Blu. Use ÚNICAMENTE el mismo líquido o uno equivalente.**

14 — 12 A-131125 (attached only to galvanized liftgates)

	<p><b>⚠ WARNING</b></p> <p>Welding on galvanized and stainless steel parts gives off especially hazardous fumes.</p> <ul style="list-style-type: none"> <li>• Remove galvanizing from area to weld.</li> <li>• Provide good ventilation.</li> <li>• Wear suitable respirator.</li> </ul> <p>A-131125</p>
---	--

**ADVERTENCIA**

La soldadura de piezas de acero inoxidable y galvanizado libera vapores especialmente peligrosos.

- Quite el galvanizado del área que va a soldar.
- Trabaje en un área bien ventilada.
- Use un respirador adecuado.

15 — A-131106

**WARNING**

**MUST REMOVE AND DISCARD INSTALLATION BOLTS ON "ROCKER ASSEMBLIES" BEFORE OPERATING LIFTGATE**

A-131106

**ADVERTENCIA**

**DEBE RETIRAR Y DESECHAR LOS PERNOS DE INSTALACIÓN EN LOS "CONJUNTOS ROCKER" ANTES DE OPERAR LA PLATAFORMA**



## 6. Troubleshooting

<b>Troubleshooting Chart</b>	
<b>Motor does not run when control switch is activated.</b>	
<sup>1</sup> (If the problem cannot be quickly and easily resolved by the operator, the liftgate should be taken to an authorized dealer for repair).	
Possible Causes	Possible Solution
If installed, cab cut-off switch is OFF.	Place switch to ON position. Note <sup>1</sup>
If installed, power cut-off solenoid is switched OFF or is defective.	Place switch to ON position. Note <sup>1</sup>
Truck battery is dead.	Check for loose or corroded battery connections and make sure battery is fully charged. Replace or recharge battery.
In-line circuit protection fuse in main wiring cable from truck battery is blown.	Replace fuse. Note <sup>1</sup> Refer to "4.2 Replacing the Fuse" on page 13.
10 Amp fuse for control box switch in power unit box is blown.	Replace fuse. Note <sup>1</sup> Refer to "4.3 Checking Control Switch Fuse" on page 15.
Motor start solenoid is bad.	Note <sup>1</sup>
Battery cable is damaged.	Note <sup>1</sup>
Motor is not working.	Note <sup>1</sup>
<b>Motor runs, but liftgate will not open or lower to the ground.</b>	
Latch pin is closed (in transport position).	Slide the latch pin to the open position.
Low oil level in reservoir.	Add oil to the appropriate fill level. Refer to "4.1 Adding Fluid to Pump Reservoir" on page 12.
Other causes which are not able to be fixed by operator: Structural damage. Lowering valve solenoid on pump. Lowering valve cartridge on pump. Flow control valve on cylinder.	Note <sup>1</sup>
<b>Motor runs, but platform will not raise, will not raise rated capacity, or raises but drifts down when control switch is released.</b>	
Load capacity has been exceeded.	Verify load capacity and adjust load weight.
Low fluid level.	Add oil to the appropriate fill level. Refer to "4.1 Adding Fluid to Pump Reservoir" on page 12.

<b>Troubleshooting Chart</b>	
Low Voltage.	Make sure truck battery is fully charged.
Other causes which are not able to be fixed by operator: Structural damage. Lowering valve solenoid on pump. Lowering valve cartridge on pump. Defective piston seals. Defective piston pump. Flow control valve on cylinder.	Note <sup>1</sup>
<b>Latch pin is broken or bent.</b>	
Platform has been lowered without releasing latch pin.	The latch pin is only used to prevent the liftgate from opening due to a pressure leak or pressure bleed-off over an extended period of time. Always release latch before opening liftgate.
<b>Liftgate raises truck when lowered to the ground.</b> <sup>1</sup> (If the problem cannot be quickly and easily resolved by the operator, the liftgate should be taken to an authorized dealer for repair).	
Power down system pressure is set too high.	Note <sup>1</sup>
<b>Liftgate will not open.</b>	
Platform operating area is not clear.	Clear platform operating area.
Latch pin will not slide freely to release liftgate.	Activate the "UP" switch and slightly raise the liftgate to the fully stored position. The latch pin should slide freely.
<b>Platform lowers extremely slow.</b>	
Low oil level on power down models.	Add oil to the appropriate fill level. Refer to "4.1 Adding Fluid to Pump Reservoir" on page 12.
Other causes which are not able to be fixed by operator: Structural damage. Improper oil in hydraulic reservoir. Lift arm bushings are worn. Damaged or kinked hydraulic hose. Cylinder rod is scored, pitted, or bent. Faulty flow control valve in cylinder. Faulty lowering valve on pump.	Note <sup>1</sup>
<b>Platform raises partially and stops.</b>	
Load capacity has been exceeded.	Reduce weight of load.
Low Voltage.	Make sure battery is fully charged.

<b>Troubleshooting Chart</b>	
Low pressure.	Add oil to the appropriate fill level. Refer to "4.1 Adding Fluid to Pump Reservoir" on page 12.
Structural damage.	Replace damaged parts.
<b>Platform will not lower.</b> <sup>1</sup> (If the problem cannot be quickly and easily resolved by the operator, the liftgate should be taken to an authorized dealer for repair).	
Platform operating area is not clear.	Clear working area.
Low Voltage.	Make sure battery is fully charged
Structural damage.	Note <sup>1</sup>
Lowering valve.	Note <sup>1</sup>
Hydraulic pump and motor.	Note <sup>1</sup>

## 7. Warranty Section

---

### 7.1 Limited Warranty

#### **Magnum Tuckunder 3 yrs Mechanical + 3 yrs Electric/Hydraulic**

Thank you for purchasing an Anthony liftgate. We strive to produce the most trouble free and reliable liftgates in the market. We believe you will experience years of reliable operation and minimum downtime interruptions. To further insure your confidence in Anthony, this warranty will cover your unit for 3 years or 8,000 cycles (whichever occurs first) on mechanical/structure, electrical, and hydraulic operating parts. This warranty is extended to the original purchaser (user only) and is not transferable. The warranty term begins from the date of shipment from our factory or warehouse.

Anthony Liftgates Inc. will cover all failed components during the warranty period. Labor will be provided under our Flat Rate Warranty Schedule, in effect at the time of the part failure, and includes diagnosis time. Contact Anthony for current reimbursement amounts. For repairs NOT listed on the Flat Rate Warranty Schedule, contact the Anthony Warranty Department for approved reimbursement, prior to performing repairs. Anthony Liftgates Inc. reserves the right of determination of whether a component is defective or has failed. This warranty applies to Anthony liftgates installed, operated, and maintained in accordance with Anthony Liftgates Inc. installation, operation, and maintenance manuals, videos, etc.

Certain Anthony models have published Lifetime Warranties on listed components, as published in current literature. This additional coverage will be detailed on the published operation components, providing the unit has been operated and maintained within the intended usage.

Anthony Liftgates, Inc. will process all claims and determine their eligibility for authorization upon the receipt of the failed part, the identification of the claimant, and the liftgate serial number. All parts must be returned freight prepaid and following the instructions given by the Anthony Warranty Department. Freight collect shipments will not be accepted.

**PLEASE NOTE THAT NO CLAIMS WILL BE PROCESSED WITHOUT THE PART, THE CLAIMANT'S INFORMATION, AND THE LIFTGATE SERIAL NUMBER.**

Claims not submitted within 30 days of repair date will be denied.

**NOTE: ALL CLAIMS MUST BE COMPLETED ON THE ANTHONY LIFTGATES INC. WARRANTY CLAIM FORM.**

This form provides all the necessary information.

Upon approval of the claim, Anthony will, at the direction of the claimant, return a replacement part and labor allowance, or a parts credit based on current distributor net pricing, and the appropriate flat rate labor allowance.

Anthony Liftgates, Inc. is not responsible or liable for loss of time, cost, labor, material, profits, direct or indirect damages caused by failed components, whether due to rights arising under purchase, order, contract of sale or independently thereof, and whether or not such claim is based on contract, tort, or warranty. The sale of products of Anthony Liftgates, Inc. under any other warranty or guarantee express or implied is not authorized. This warranty does not cover misuse, abuse, damage, or product finish, normal wear, maintenance adjustments, careless or negligence of use or maintenance. Modifications to our product are not covered unless prior authorized by Anthony.

Purchased Parts warranty is 1 year from date of purchase and covers replacement of part only.

If you require assistance or have questions, please contact Anthony Liftgates Inc. at 815-842-3383.

**Note:** *Most (not all) Anthony liftgate models incorporate our Service-Free feature. Service-Free refers to the fact that these models require no routine or scheduled lubrication of the major pivot points that contain our service-free bushings. Normal repair and maintenance of your liftgate, per our instruction, is necessary for ALL Anthony liftgates.*

Anthony Liftgates, Inc.  
1037 W. Howard St. P.O. Box 615  
Pontiac, IL 61764-0615

PH: 815-842-3383  
FAX: 815-844-3612  
E-Mail: [warrantyclaims@anthonyliftgates.com](mailto:warrantyclaims@anthonyliftgates.com)

## **7.2 Warranty Policy and Procedure**

All warranty claims must be completed on the Anthony Liftgates Warranty Claim Form utilizing the Flat Rate Warranty Schedule. See the current rates as listed for each model. Using this process will allow for quick and accurate credit payment.

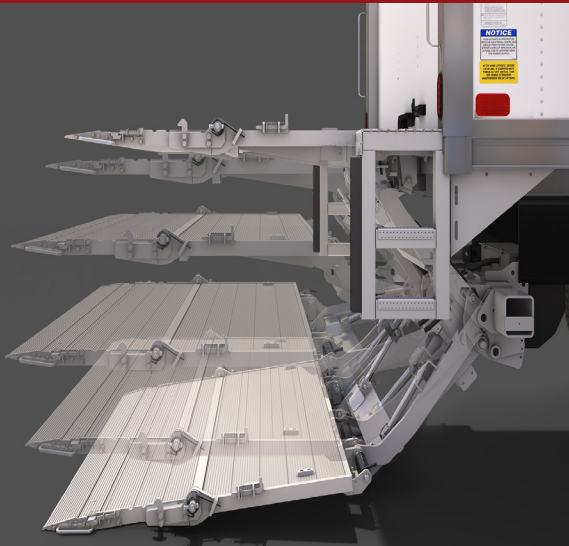
Claims will not be processed without the failed part returned (pre-paid) to Anthony Liftgates, and the warranty claim form completed.

**NOTE:** When returning defective parts for warranty consideration, be sure to call ahead for a Return Authorization Number.

If you require further assistance or have questions, please contact the Anthony Liftgates Warranty Dept. at 815-842-3383 or email [warrantyclaims@anthonyliftgates.com](mailto:warrantyclaims@anthonyliftgates.com).

## Gentle Level Ride (GLR)

Our platform maintains a smooth, level up and down operation until the platform reaches the ground and then tilts gently forward. The platform then re-levels itself at the start of the lifting cycle.



THE ORIGINAL NAME IN LIFTGATES - SINCE 1941

**ANTHONY**  
LIFTGATES, INC.®

**MTU-GLR**

1037 WEST HOWARD ST.  
P.O. BOX 615  
PONTIAC, IL 61764-0615  
PH: 815-842-3383  
FAX: 815-844-3612  
TOLL FREE: 800-482-0003  
[WWW.ANTHONYLIFTGATES.COM](http://WWW.ANTHONYLIFTGATES.COM)