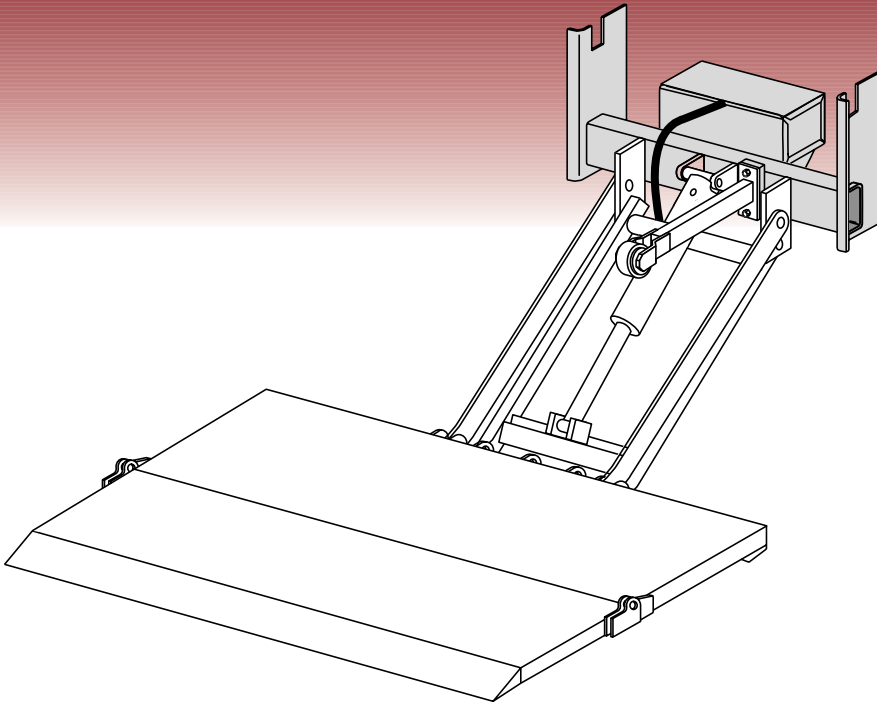


ANTHONY LIFTGATES, INC.

PARTS MANUAL

For AST, ATU, FP-3, and SM Model Tuckunder Liftgates



MODELS

AST-1500-SF

AST-2000-SF

AST-2500-SF

AST-3000-SF

ASTL-1800-SF

ASTL-2500-SF

ATU-1800-SF

ATU-2500-SF

ATU-3000-SF

ATU-3500-SF

ATU-1800LB-SF

ATU-2500LB-SF

FP-3

SM-Series

ANTHONY
LIFTGATES, INC.®

Anthony Liftgates, Inc.

1037 W. Howard Street • P.O. Box 615 • Pontiac, IL 61764-0615

Ph: 815.842.3383 • Fax: 815.844.3612 • Toll Free: 800.482.0003

www.anthonyliftgates.com

Contents

Introduction	2
Safety	3
Safety Is Your Responsibility	3
Nomenclature	4
Platform Nomenclature	4
Power Unit Nomenclature	4
General Information	5
Platform Measurements	5
Decals	5
Ordering Parts	5
AST, ATU, and SM Tuckunder Liftgate	
Service Parts	6
Power Unit Service Parts	14
Hydraulic Cylinder Service Parts	16
A-130113, 3 inch Cylinder 1500, 1800, & 2000 lb Capacity	16
A-130114, 4 inch Cylinder 2500 lb Capacity	17
A-130115, 4.5 inch Cylinder 3000 and 3500 lb Capacity	18
Decals	20

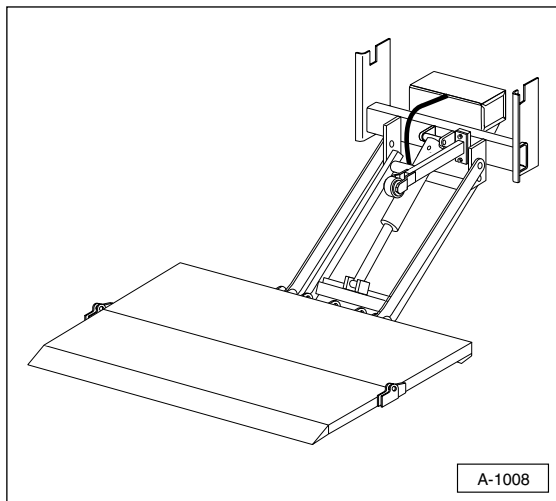
Introduction

Congratulations on selecting an Anthony liftgate. Anthony liftgates are among the finest liftgates available on the market today, and to ensure your liftgate will perform to your expectations we have provided the following manuals, designed to provide you with the necessary instructions and safety precautions to install and operate these models of Anthony Liftgates:

1. Installation, Operation, Troubleshooting, and Maintenance Manual for AST and ATU Model Tuckunder Liftgates - Form No. TU-IO-08/00
2. Parts Manual for AST, ATU, and SM Model Tuckunder Liftgates - Form No. TU-P-12/01

This Parts Manual contains part numbers for past and present Anthony liftgates. The parts illustrated in the parts drawings are representative of typical parts used in the actual Tuckunder liftgate and may not look exactly like the part(s) on your liftgate. Part numbers and drawings are subject to change without notice. At the bottom of each page is the Anthony Liftgates Inc. Product Support phone number.

All Anthony Tuckunder model liftgates are factory assembled, tested, and energized to assure the highest quality performance standards. AST, ATU, and SM Tuckunder liftgates ship completely assembled on skids for fast, clean, and easy installation.



Safety

Safety Is Your Responsibility

Anthony Liftgates cannot anticipate every possible circumstance that might involve a potential hazard. The warnings in this manual and on the product itself are, therefore, not all inclusive. If tools, procedures, work methods, or operating techniques that are not specifically mentioned by Anthony Liftgates are used, you must satisfy yourself that it is safe for you and for others. Make sure the product or truck the liftgate is mounted onto will not be damaged or made unsafe by any operation, lubrication, maintenance, or repair procedures that you choose.

DANGER



To avoid personal injury or death, carefully read and understand all instructions pertaining to the Anthony Liftgates product. Do not attempt to install, operate, or maintain our product without fully understanding all our instructions and safety precautions. Do not operate or work on a truck or liftgate unless you read and understand the instructions and warnings in the Installation, Operation, and Maintenance manual.

If any doubt or question arises about the correct or safe method of performing anything found in this or other manuals from Anthony Liftgates, contact your Anthony Liftgates dealer or call the Inside Sales and Service representatives at our main headquarters (815-842-3383). Proper care is your responsibility.

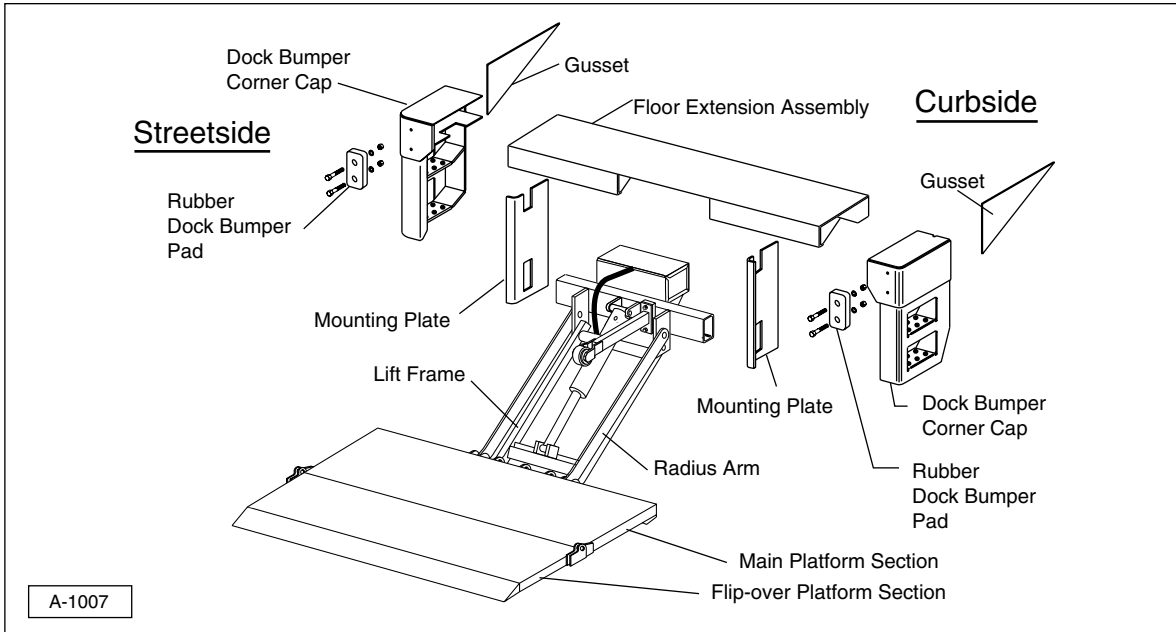
DO NOT proceed, if any doubt arises about the correct or safe method of performing anything found in this or other Anthony Liftgates manuals. Seek out expert assistance from a qualified person before continuing.

DANGER

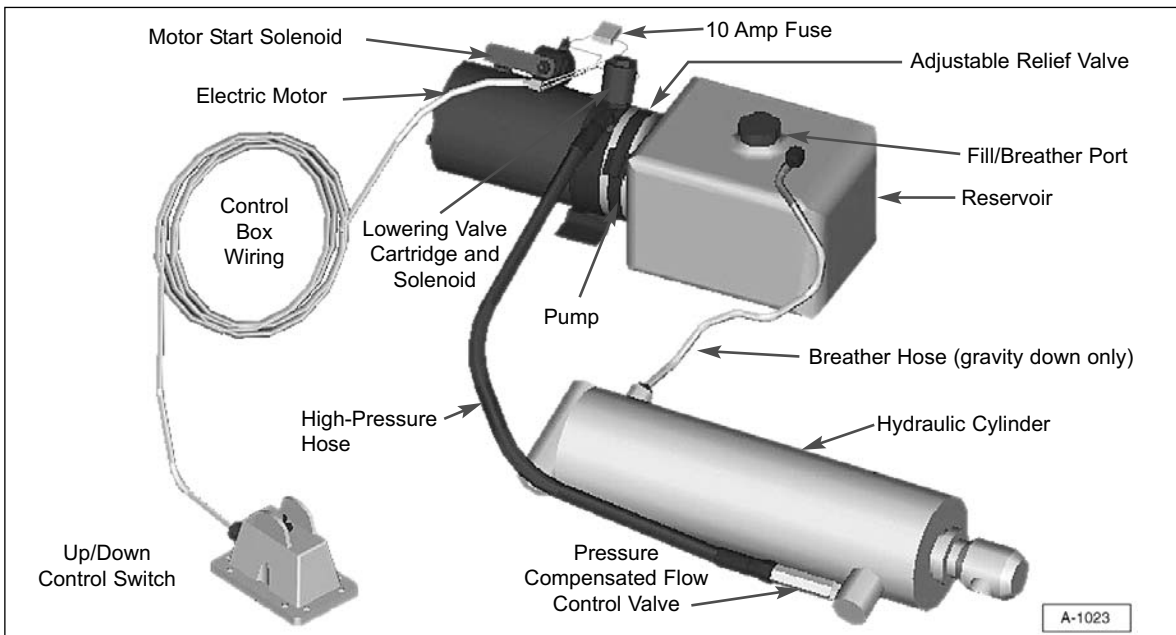


Most accidents involving the operation, maintenance, or repair of products made by Anthony Liftgates occur because the owner/operator failed to observe basic safety rules or operating instructions. An accident can often be avoided by being alert and recognizing potentially hazardous situations. Any individuals operating, maintaining, or repairing products manufactured by Anthony Liftgates should have the necessary training, skills, and tools required to perform the functions properly and safely. The safety information in this manual serves as a basic guide in an attempt to prevent injury or death.

Nomenclature



Platform nomenclature.

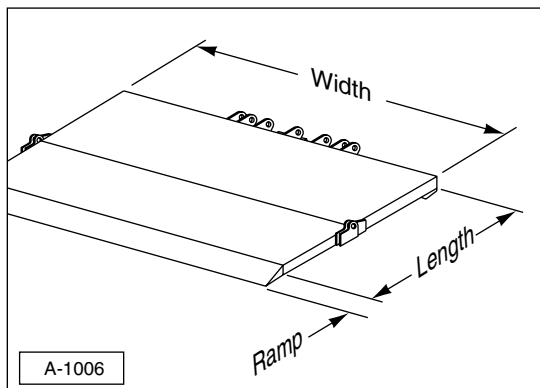


Power unit nomenclature.

General Information

Platform Measurements

The measurements listed in items (41), (43), and (44) in the Tuckunder Liftgate Service Parts chart represent the overall size of the liftgate platform and not the size of the individual part. The width is listed first, followed by the length. The final number, (+5) for example, is the length of the ramp. Compare the measurements of your liftgate with the measurements listed in this parts manual to determine the correct replacement part(s). Also take into consideration the model number, if listed, when ordering parts.



Width x Length + Ramp

Decals



Safety decals provide a vital role in helping to reduce injuries or possibly even death. To ensure the greatest level of safety, all decals must be in place and legible at all times. Remember, it is the users responsibility to maintain these decals. For a complete list and illustration of the decals used on the Tuckunder liftgate, refer to the Decals section in this manual.

For replacement decals contact:

Anthony Liftgates, Inc.
1037 West Howard Street
Pontiac, Illinois 61764
(815) 842-3383
www.anthonyliftgates.com

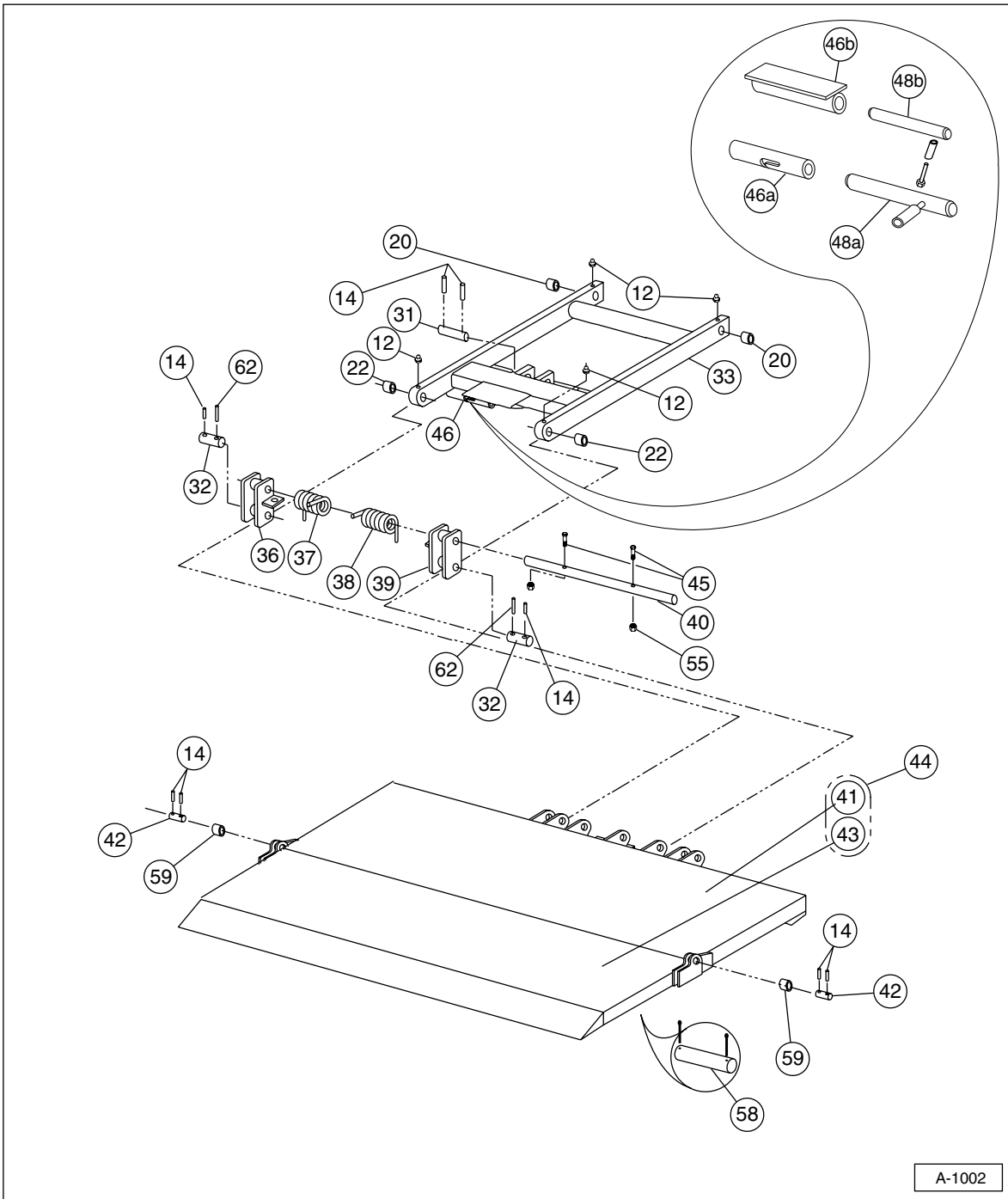
Ordering Parts

We manufacturer a quality liftgate that requires very little maintenance or repair. However, should a part break or become damaged our knowledgeable staff can make sure you receive the part(s) to put your liftgate back into operation.

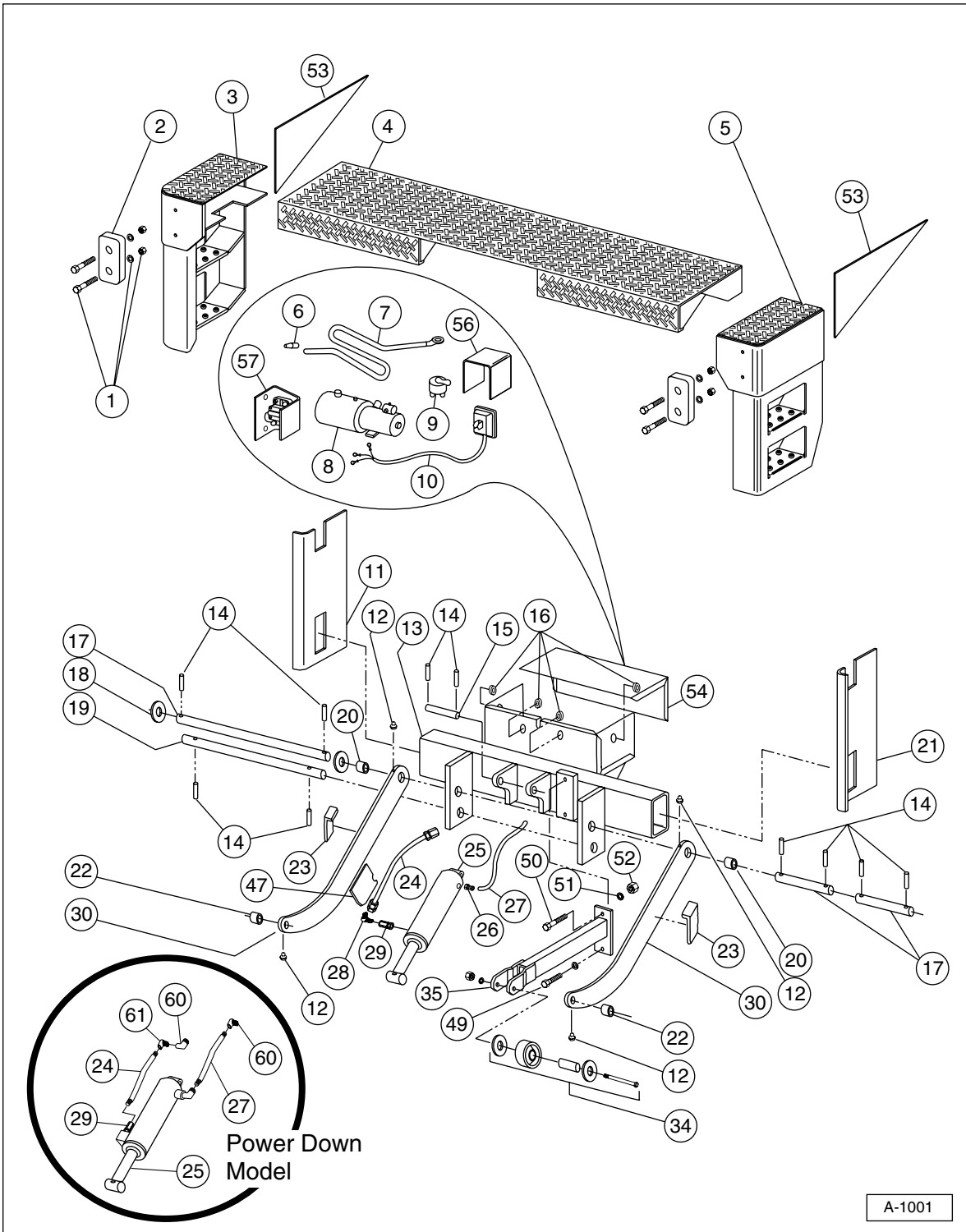
For questions or to order parts, contact:

Anthony Liftgates, Inc.
1037 West Howard Street
Pontiac, Illinois 61764
(815) 842-3383
www.anthonyliftgates.com

AST, ATU, and SM Tuckunder Liftgate Service Parts



A-1002



AST, ATU, SM Tuckunder Liftgate Service Parts			
Item	Part No.	Description	Qty.
1	ATU-119	Rubber Dock Bumper Bolt Kit	1
2	ATU-126	Rubber Dock Bumper	2
3	ATU-390	Dock Bumper Corner Cap (Left, Streetside)	1
4	ATU-108	Floor Extension Assembly for 96 inch wide bodies	1
	ATU-494	Floor Extension Assembly for 102 inch wide bodies	
	ATU-492	Floor Extension for Side Mount 49 inches long	
	ATU-493	Floor Extension for Side Mount 73 inches long	
5	ATU-389	Dock Bumper Corner Cap (Right, Curbside)	1
6	ATU-128	Power Cable Lug	1
7	ATU-127	Power Cable, #2 Gauge (27 feet long)	1
8	A-130116	Power Unit (Gravity Down) (replaced by A-130050)	1
	A-130117	Power Unit (Power Down)	
	A-130118	Power Unit (Gravity Down with Thermal Switch) (replaced by A-130050)	
	A-130119	Power Unit (Power Down with Thermal Switch)	
	A-130050	Power Unit (Oil Systems) (Used after S/N 55000)	
9	A-150031	Power Cut-Off Switch (Recommended Option)	1
10	ATU-101	Control with Cable (Gravity Down, Push Button)	1
	ATU-101 P.D.	Control with Cable (Power Down, Push Button)	
	ATU-393	Control with Cable (Gravity Down, Toggle Switch)	
	ATU-396	Control with Cable (Power Down, Toggle Switch)	
	ATU-136	Control without Cable (Gravity Down, Push Button)	
	ATU-136 P.D.	Control without Cable (Power Down, Push Button)	
	ATU-392	Control without Cable (Gravity Down, Toggle Switch)	
	ATU-395	Control without Cable (Power Down, Toggle Switch)	
	ATU-165	Control Box only (For Two Push Buttons, No Switch)	
	ATU-394	Control Box only (For Toggle Switch, No Switch)	
	ATU-307	Toggle Switch (Gravity Down)	
	A-150477	Toggle Switch (Power Down)	
11	ATU-057-L	Mounting Plate (Left, Streetside)	1
	ATU-284	Mounting Plate (Left, Streetside) 42" or deeper	
12	ATU-059	Grease Fitting, (Used prior to S/N 19600, not used on "Service-Free" series)	9
13	ATU-180	Adapter Frame (1500, 1800, 2000, and 2500)	1
	ATU-181	Adapter Frame (3000 and 3500)	

Item	Part No.	Description	Qty.
14	ATU-058	Roll Pin, 1/4 x 1-3/4 inch	15
	A-132026	Cotter Pin, 1/4 x 1-1/2 inch (Use on ATU-016 and ATU-538)	1
	A-150023	Retaining Ring, 5/8 inch (Aluminum Platform Only), Flip-Over section hinge pins	4
15	ATU-102	Cylinder Pin, Upper (1500, 1800, 2000, and 2500)	1
	ATU-118	Cylinder Pin, Upper (3000 and 3500)	
16	ATU-137	Grommet for Pump Box	4
17	ATU-112	Radius Arm Pin (1500, 1800, 2000, and 2500), Long	1
	ATU-117	Radius Arm Pin (3000 and 3500), Short	2
18	ATU-134	Washer	12
19	ATU-111	Lift Frame Pin	1
20	ATU-150	Bushing (1500 and 2000) AST only	4 (2 on Service- Free models)
	ATU-149	Bushing (2500, 3000, and 3500) AST only	
	ATU-430	Bushing (Plastic) ATU-1800 only	
	ATU-428	Bushing (Plastic) ATU-2500, 3000, and 3500 only	
21	ATU-057-R	Mounting Plate (Right, Curbside)	1
	ATU-283	Mounting Plate (Right, Curbside) 42" or deeper	
22	ATU-148	Bushing (1500 and 2000) AST only	4
	A-162010	Bushing (2500, 3000 and 3500) AST only	
	ATU-429	Bushing (Plastic) ATU-1800 only	
	ATU-426	Bushing (Plastic) ATU-2500, 3000, and 3500 only	
23	ATU-086	Platform Support	2
24	ATU-129	High-Pressure Hose (For Pipe Threads), (Used prior to S/N 35000)	1
	A-130112	High-Pressure Hose (Power Down, with SAE #6 threads) Used after S/N 35000	
	A-130110	High-Pressure Hose (Gravity Down, with SAE #6 threads) Used after S/N 35000	
25	A-130113	Cylinder (1500, 1800, and 2000) SAE #6 ports	1
	A-130114	Cylinder (2500) SAE #6 ports	
	A-130115	Cylinder (3000 and 3500) SAE #6 ports	
26	ATU-124	Return Hose Fitting (Used prior to S/N 35000)	2
	A-130143	Fitting, Barbed (Male SAE #6 to 3/16 Barb) Used in Cylinder Port of Gravity Down model. (Used after S/N 35000)	1
27	ATU-125	Zero-Pressure Return Hose (Gravity Down)	1
	A-130111	High-Pressure Hose (Power Down, 19 inches long, with SAE #6 threads)	

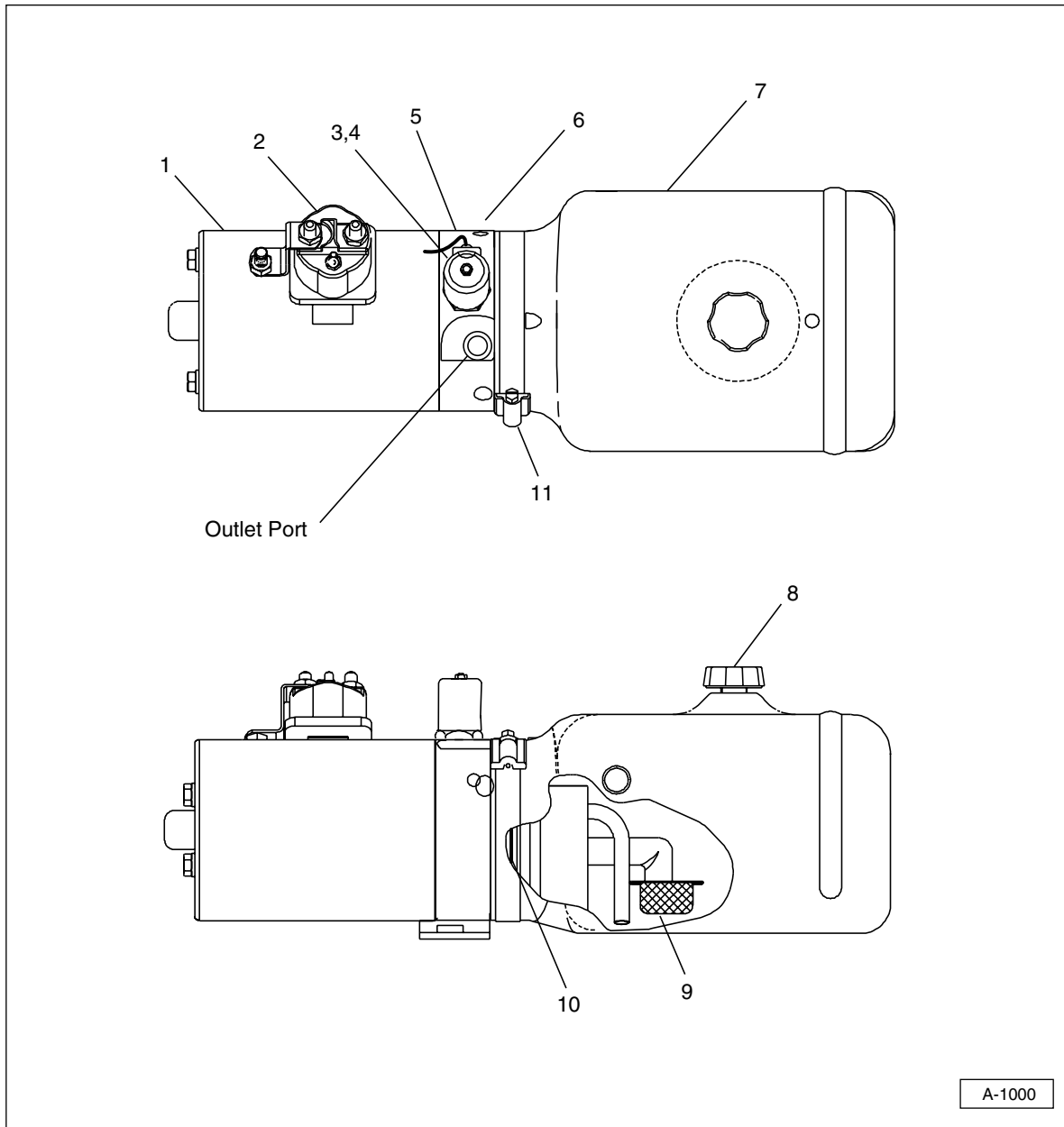
Item	Part No.	Description	Qty.
28	ATU-179	High-Pressure Elbow (Pipe Threads) (Used prior to S/N 35000, not used after 35000)	2
29	A-150035	Control Flow Valve (1500, 1800, and 2000) (Used prior to S/N 35000)	1
	A-150038	Control Flow Valve (2500, 3000, and 3500) (Used prior to S/N 35000)	
	A-130100	Control Flow Valve (1500, 1800, and 2000) (Used after S/N 35000)	
	A-130101	Control Flow Valve (2500) (Used after S/N 35000)	
	A-130102	Control Flow Valve (3000 and 3500) (Used after S/N 35000)	
30	ATU-189	Radius Arm, 3/4 inch (1500, 1800, and 2000)	2
	ATU-190	Radius Arm, 3/4 inch with Bushings (1500,1800, and 2000)	
	ATU-191	Radius Arm, 1 inch (2500, 3000, and 3500)	
	ATU-192	Radius Arm, 1 inch with Bushings (2500, 3000, and 3500)	
31	ATU-103	Cylinder Pin, Rod End	1
32	ATU-105	Cam Plate Pins	2
33	ATU-183	Lift Frame (1500, 1800, and 2000)	1
	ATU-184	Lift Frame with Bushings (1500, 1800, and 2000)	
	ATU-185	Lift Frame (2500)	
	ATU-186	Lift Frame with Bushings (2500)	
	ATU-187	Lift Frame (3000 and 3500)	
	ATU-188	Lift Frame with Bushings (3000 and 3500)	
34	ATU-123	Roller Wheel Assembly	1
35	ATU-243	Wheel Arm, Bolt-On Type (After Sept. 1990)	1
	ATU-182	Wheel Arm, Pin-On Type (Before Sept. 1990)	
36	ATU-107-L	Cam, Standard (Left, Streetside)	1
	ATU-208	Cam for Low Boy and 72 x 34 + 7 Aluminum (Left, Streetside)	
	ATU-591	Cam for 80 x 45 + 6 Aluminum (Left, Streetside)	
37	ATU-100-L	Assist Spring (Left, Streetside)	1
38	ATU-100-R	Assist Spring (Right, Curbside)	1
39	ATU-107-R	Cam, Standard (Right, Curbside)	1
	ATU-207	Cam for Low Boy and 72 x 34 + 7 Aluminum (Right, Curbside)	
	ATU-590	Cam for 80 x 45 + 6 Aluminum (Right, Curbside)	
40	ATU-104	Pin, Platform and Cams	1
41	ATU-110	Platform Main Section makes 80 x 34 + 7, (ATU-1800 and 2500) 80 x 38 + 5, or 80 x 44 wedge	1
	ATU-152	Platform Main Section (ATU-3000) makes 80 x 34 + 7 or 80 x 38 + 5	
	ATU-193	Platform Main Section (ATU-3500) makes 80 x 34 + 7 or 80 x 38 + 5	

Item	Part No.	Description	Qty.
41	ATU-220	Platform Main Section (CM) makes 80 x 40	1
	ATU-256	Platform Main Section makes 72 x 34 + 7 or 72 x 38 + 5 (AST, SM-Series 1500, 1800, 2500)	
	ATU-316	Platform Main Section (UCM) makes 80 x 45	
	ATU-470	Platform Main Section makes 72 x 29 + 5 (Low Boy and ASTL) (Replaced by ATU-536)	
	ATU-536	Platform Main Section (Low Boy and ASTL) makes 72 x 32 + 5	
	A-150228	Platform Main Section (Aluminum) makes 72 x 34 + 7	
	A-150665	Platform Main Section (Aluminum) makes 80 x 45 + 6	
42	ATU-016	Platform Flip-Over Pin	2
	ATU-538	Platform Flip-Over Pin for LowBoys	
	A-150036	Pin, 5/8 inch (Aluminum Platforms Only)	
43	ATU-109	P/F Flip-Over Section (ATU-1800 and 2500) makes 80 x 34 + 7	1
	ATU-151	P/F Flip-Over Section (ATU-3000 and 3500) makes 80 x 34 + 7	
	ATU-221	P/F Flip-Over Section (CM) makes 80 x 40	
	ATU-224	P/F Flip-Over Section makes 80 x 42 + 5	
	ATU-255	P/F Flip-Over Section makes 72 x 34 + 7 or 72 x 38 + 5 (AST & SM-Series 1500, 2000, 2500)	
	ATU-317	P/F Flip-Over Section (UCM) makes 80 x 45	
	ATU-354	P/F Flip-Over Section (Wedge) makes 80 x 44 inch	
	ATU-436	P/F Flip-Over Section (ATU-1800 and 2500) makes 80 x 38 + 5	
	ATU-437	P/F Flip-Over Section (ATU-3000 and 3500) makes 80 x 38 + 5	
	ATU-469	P/F Flip-Over Section makes 72 x 29 + 5 (Low Boy and ASTL Tuckunder) (Replaced by ATU-537)	
	ATU-537	P/F Flip-Over Section makes 72 x 32 + 5 (Low Boy and ASTL Tuckunder)	
	A-150229	P/F Flip-Over Section (Aluminum) makes 72 x 34 + 7	
	A-150666	P/F Flip-Over Section (Aluminum) makes 80 x 45 + 6	
44	ATU-132	Platform, Complete (ATU-1800 and 2500) 80 x 34 + 7 ATU-110 Platform Main Section ATU-109 Flip-Over Section	1
	ATU-153	Platform, Complete (ATU-3000) 80 x 34 + 7 ATU-152 Platform Main Section ATU-151 Flip-Over Section	
	ATU-194	Platform, Complete (ATU-3500) 80 x 34 + 7 ATU-193 Platform Main Section ATU-151 Flip-Over Section	

Item	Part No.	Description	Qty.
44	ATU-223	Platform, Complete (CM) ATU-220 Platform Main Section ATU-221 Flip-Over Section	80 x 40 + 11
	ATU-226	Platform, Complete ATU-110 Platform Main Section ATU-224 Flip-Over Section	80 x 42 + 5
	ATU-257	Platform, Complete (AST & SM-Series 1500, 2000, 2500) ATU-256 Platform Main Section ATU-255 Flip-Over Section	72 x 34 + 7 or 72 x 38 + 5
	ATU-315	Platform, Complete (UCM) ATU-316 Platform Main Section ATU-317 Flip-Over Section	80 x 45 + 16
	ATU-440	Platform, Complete (1800 and 2500) ATU-110 Platform Main Section ATU-436 Flip-Over Section	80 x 38 + 5
	ATU-441	Platform, Complete (3000 and 3500) ATU-152 Platform Main Section or ATU-193 Platform Main Section ATU-437 Flip-Over Section	80 x 38 + 5
	ATU-442	Platform, Complete Wedge ATU-110 Platform Main Section ATU-354 Flip-Over Section	80 x 44
	ATU-471	Platform, Complete (Low Boy and ASTL) Replaced by ATU-535	72 x 29 + 5
	ATU-513	Platform, Complete Side Mount	48 x 34 + 7
	ATU-535	Platform, Complete (Low Boy and ASTL) ATU-536 Platform Main Section ATU-537 Flip-Over Section	72 x 32 + 5
	ATU-634	Platform, Aluminum and Steel ATU-594 Platform Main Section (steel) A-150666 Flip-Over Section (aluminum)	80 x 45 + 6 (1/2 & 1/2)
	ATU-635	12 inch Aluminum Retention Ramp Kit with Hardware	
	ATU-636	Platform, Complete (AST-3000) ATU-256-35 Platform Main Section ATU-576 Flip-Over Section	72 x 34 + 7 or 72 x 38 + 5
	A-150223	Platform, Complete (Aluminum) A-150228 Platform Main Section A-150229 Flip-Over Section	72 x 34 + 7
A-150673	Platform, Complete (Aluminum) A-150665 Platform Main Section A-150666 Flip-Over Section	80 x 45 + 6	

Item	Part No.	Description	Qty.
45	ATU-358	Bolt and Decal	2
46	ATU-169	Latch Tube Weldment (Old Style)	1
	ATU-559	Latch Tube (New Style)	
47	ATU-558	Latch Plate (New Style)	1
48	ATU-195	Pin, Handle, and Bolt (Old Style, Used with ATU-169)	1
	ATU-556	Latch Pin (New Style, Used with ATU-559)	
	ATU-557	Latch Handle (New Style, Used with ATU-559)	
49	ATU-260	Bolt	1
50	ATU-259	Bolt	1
51	1691	Lock Washer	2
52	3139	Nut	1
53	ATU-200	Gusset	2
54	—	Pump Box with Removable Cover (24 x 8 x 8 inch)	1
	ATU-586	Complete Box, Hingeless	—
	ATU-533	Cover Only, Hingeless	—
	ATU-350	Pump Box with Hinged Lid (24 x 8 x 8 inch)	1
55	ATU-359	Lock Nut	2
56	ATU-235	Control Box Cover Plate (Optional)	—
57	A-150495	150 Amp Circuit Breaker	1
	A-150500	Bracket	1
58	A-150025	Platform Support Pin (1-1/4 inch) Aluminum Platforms Only [Located under main platform section, secured by 4 (2 each) cotter pins]	2
59	A-150029	Bearing, Main Platform Hinge, 1 inch long (Aluminum Platforms Only)	2
	A-150030	Bearing, Flip-Over Hinge 1/2 inch long (Aluminum Platforms Only)	4
60	A-130140	Elbow, 90 degree for Power Unit (Male SAE #6 to Male JIC #6) Requires 1 for gravity down model and 2 for power down model.	—
	A-130149	Elbow, 90 degree (Male SAE #6 to 3/8 NPT Female Swivel) Used to retrofit SAE #6 pump threads to hose with pipe threads.	1
61	A-130142	Elbow, 90 degree (Female JIC #6 to Male JIC #6) Used with A-130140 Elbow on Power Down model.	1
62	S-070011	Roll Pin, 1/4" diameter	2

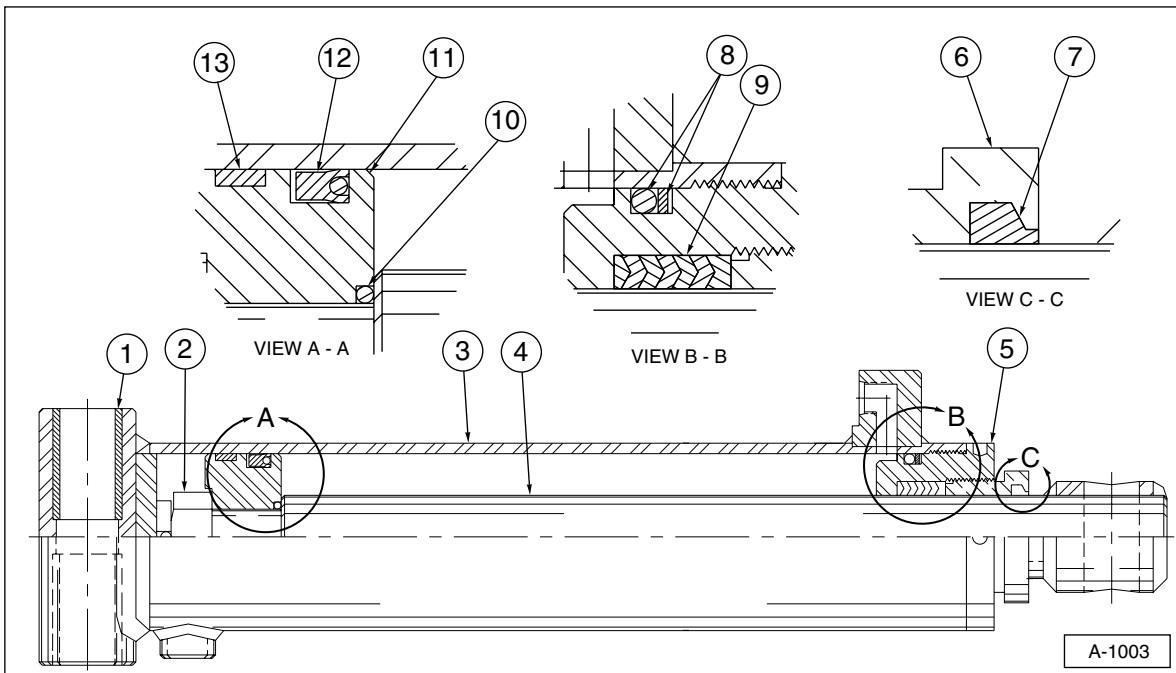
Power Unit Service Parts



Monarch, gravity down, pump shown above.

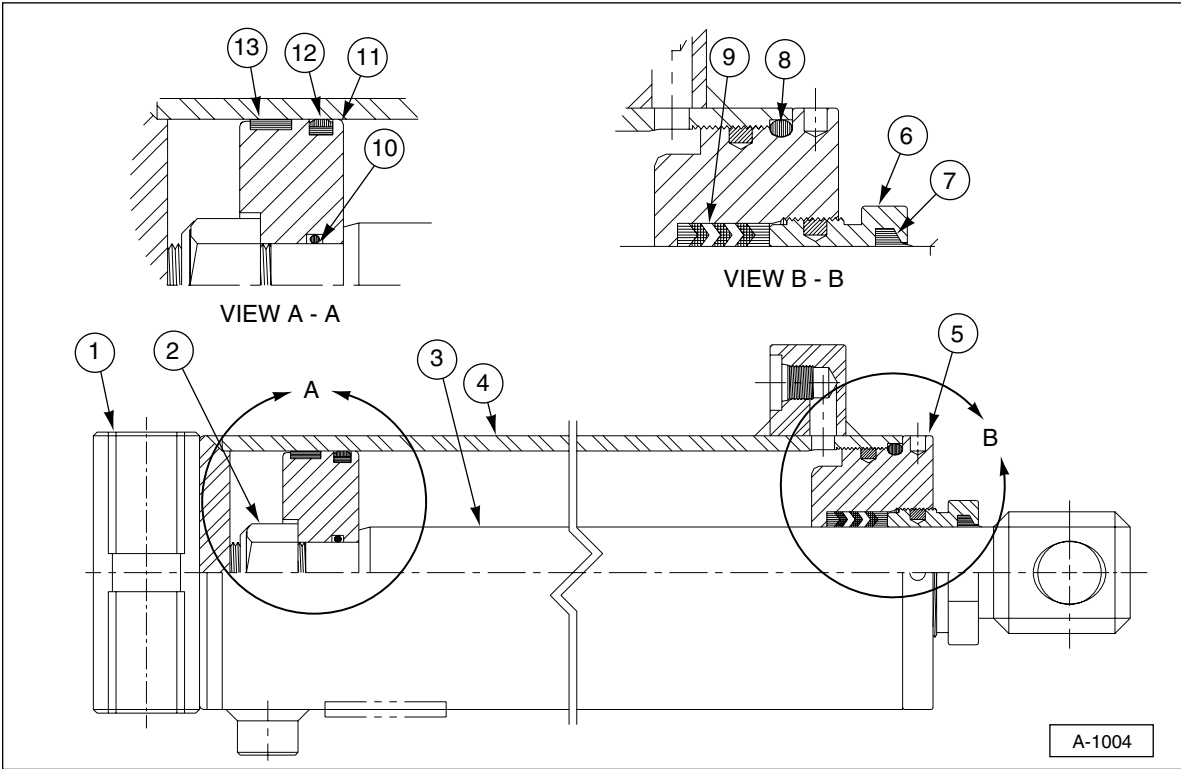
Power Unit Service Parts			
Item	Part No.	Description	Remarks
Oil Systems Service Parts			
1	A-130051	Motor	
2	A-130052	Motor Start Solenoid	
3	A-130054	Lowering Valve with Coil	
4	A-130055	Coil (Lowering Valve)	
5	A-130053	Pump	
6	—	Adjustable Relief Valve	
7	A-130056	Plastic Reservoir	
8	A-130057	Plastic Reservoir Cap	
9	A-130060	Suction Filter	
10	A-130059	O-ring for Plastic Reservoir	
11	A-130058	Clamp, Plastic Reservoir	
Monarch Service Parts			
1	A-150018	Motor	
2	ATU-120	Motor Start Solenoid	
3	ATU-121	Lowering Valve with Coil	
	A-150617	Lowering Valve (Power Down)	
4	ATU-122	Coil (Lowering Valve)	
5	—	Pump	
6	—	Adjustable Relief Valve	
7	A-150635	Plastic Reservoir	
8	A-150546	Plastic Reservoir Cap	
9	—	Plastic Reservoir Filter	
10	A-150019	O-ring for Plastic Reservoir	
11	ATU-565	Plastic Reservoir Clamp	
Fenner Service Parts			
1	A-150265	Motor	
2	ATU-120	Motor Start Solenoid	
3	ATU-479	Lowering Valve with Coil	
	A-150617	Lowering Valve (Power Down)	
4	ATU-491	Coil (Lowering Valve)	
5	—	Pump	
6	—	Adjustable Relief Valve	
7	A-150504	Plastic Reservoir	
8	A-150615	Plastic Reservoir Cap	
9	—	Plastic Reservoir Filter	
10	AR-18-241	O-ring for Plastic Reservoir	
11	ATU-565	Plastic Reservoir Clamp	

Hydraulic Cylinder Service Parts



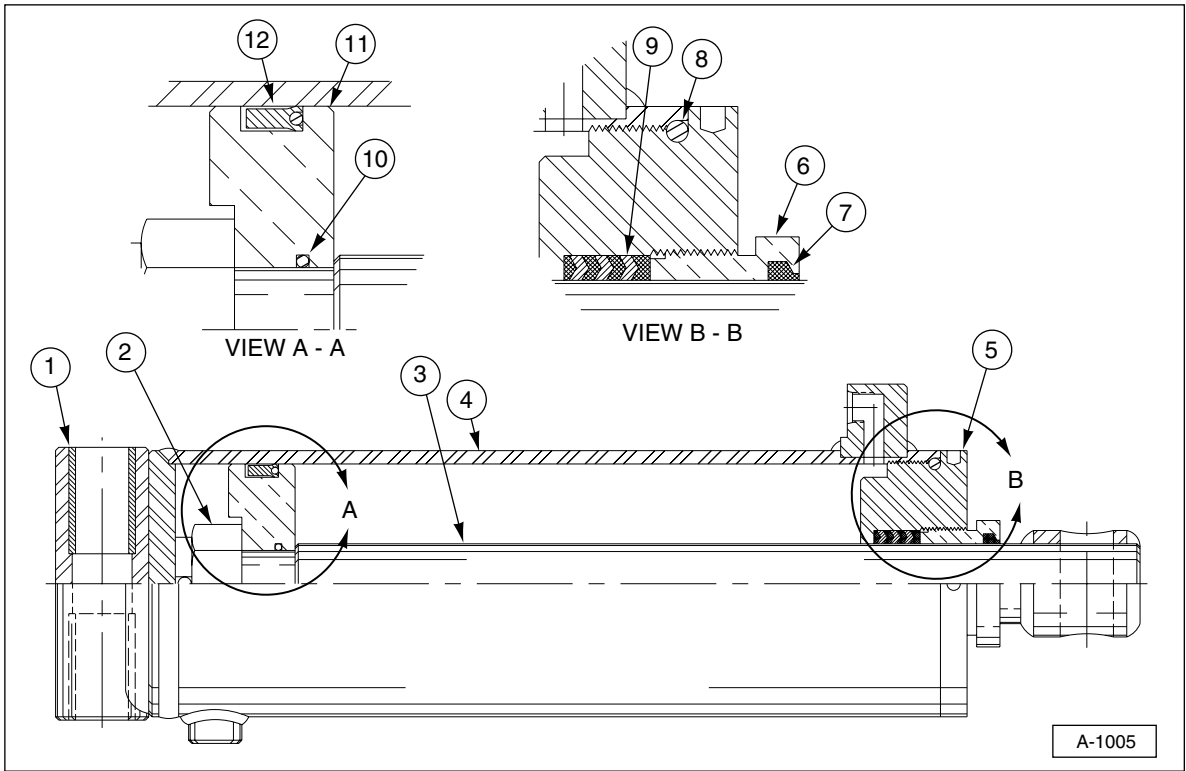
**A-130113, 3 inch Cylinder
1500, 1800, and 2000 lb Capacity Tuckunder Parts List**

Item	Part No.	Description	Qty	Remarks
1	ATU-427	Bushing	2	
2	ATU-25112	Piston Nut	1	
3	ATU-25102	Tube Assembly	1	
4	ATU-25101	Rod Assembly	1	
5	ATU-25103	Cylinder End Cap	1	
6	ATU-25104	Packing Gland Nut	1	
7	—	Rod Wiper	1	Part of Seal Kit
8	—	End Cap Seal & Backup Washer	1	Part of Seal Kit
9	—	Packing Set	1	Part of Seal Kit
10	—	Piston O-ring	1	Part of Seal Kit
11	ATU-25111	Piston	1	
12	—	Piston Seal	1	Part of Seal Kit
13	—	Wear Ring	1	Part of Seal Kit
—	ATU-25113	Seal Kit (prior to 3/28/89)	—	
—	ATU-25113-WR	Seal Kit with Wear Rings (after 3/28/89)	—	



**A-130114, 4 inch Cylinder
2500 lb Capacity Tuckunder Parts List**

Item	Part No.	Description	Qty	Remarks
1	ATU-427	Bushing	2	
2	ATU-50117	Piston Nut	1	
3	ATU-50112	Tube Assembly	1	
4	ATU-50122	Rod Assembly	1	
5	ATU-50125	Cylinder End Cap	1	
6	ATU-50115	Packing Gland Nut	1	
7	ATU-50116	Wiper	1	Part of Seal Kit
8	ATU-50124	O-ring Seal	1	Part of Seal Kit
9	ATU-50114	Packing Set	1	Part of Seal Kit
10	ATU-50121	Piston O-ring	1	Part of Seal Kit
11	ATU-50120	Piston	1	
12	—	Piston Seal	1	Part of Seal Kit
13	—	Wear Ring	1	Part of Seal Kit
—	ATU-50123	Seal Kit (prior to 3/28/89)		
—	ATU-50123-WR	Seal Kit with Wear Rings (after 3/28/89)		



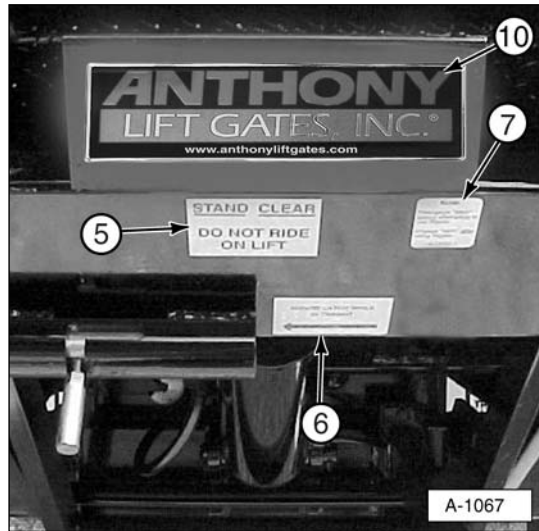
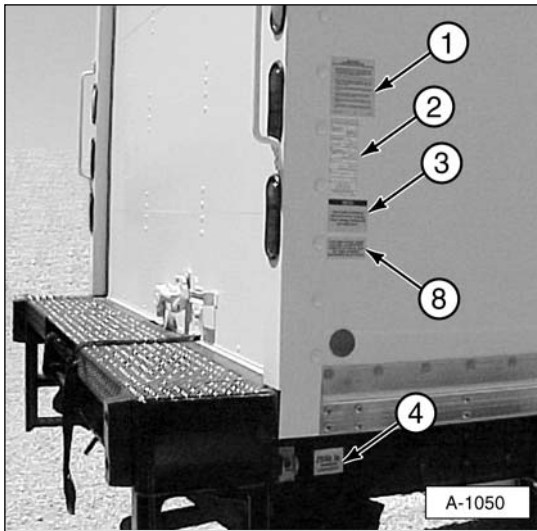
**A-130115, 4.5 inch Cylinder
3000 and 3500 lb Capacity Tuckunder Parts List**

Item	Part No.	Description	Qty	Remarks
1	ATU-427	Bushing	2	
2	ATU-75101	Piston Nut	1	
3	ATU-75106	Tube Assembly	1	
4	ATU-75105	Rod Assembly	1	
5	ATU-75109	Cylinder End Cap	1	
6	ATU-75110	Packing Gland Nut	1	
7	ATU-75111	Rod Wiper	1	Part of Seal Kit
8	ATU-75108	End Cap O-ring	1	Part of Seal Kit
9	ATU-75107	Packing Set	1	Part of Seal Kit
10	ATU-75104	Piston O-ring	1	Part of Seal Kit
11	ATU-75102	Piston	1	
12	ATU-75103	Piston Seal	1	Part of Seal Kit
—	ATU-75112	Seal Kit		

Notes

Decals

AST, ATU, and SM Tuckunder Liftgate Safety Decals				
Item	Part No.	Description	Qty	Remarks
1	Q-003013	Urgent Warning - Elevating Gate Instructions...	1	
2	ATU-423	Operating Instructions	1	
3	A-150238	Notice - This liftgate is protected...	1	
4	A-131015	1500 lb. Maximum Capacity	1	1500 Models Only
	ATU-175	1800 lb. Maximum Capacity	1	1800 Models Only
	A-131020	2000 lb. Maximum Capacity	1	2000 Models Only
	ATU-174	2500 lb. Maximum Capacity	1	2500 Models Only
	ATU-147	3000 lb. Maximum Capacity	1	3000 Models Only
	ATU-177	3500 lb. Maximum Capacity	1	3500 Models Only
5	ATU-146	Stand Clear Do Not Ride on Lift	2	
6	ATU-143	Secure Latch While in Transit	1	
7	A-131017	Note: Disengage "latch"...	1	
8	ATU-141	After Using Liftgate, Secure Latch...	1	Place in cab on dash in plain view of driver.
9	ATU-424	Reset Circuit Breaker (not shown)	1	On circuit breaker bracket
10	A-131034	Anthony Hydraulic Lift Gate label	1	



1.

URGENT WARNING
ELEVATING GATE INSTRUCTIONS

Before Operating Lift, Be Sure You Understand the Following.

1. Improper operation of this lift can result in serious personal injury. Do not operate unless you have been properly instructed and have read and are familiar with, the operating instructions. If you do not have a copy of the instructions please obtain them from your employer, distributor, or lessor, as appropriate, before you attempt to operate the lift.
2. Be certain the vehicle is properly and securely braked before using the lift.
3. Always inspect this lift for maintenance or damage before using it. If there are signs of improper maintenance, damage to vital parts, or slippery platform surface, do not use the lift. Do not attempt your own repairs, unless you are specifically trained.
4. Do not overload. See Mfg. Literature and/or Rating Label on the unit for the rated load. Remember that this limit applies to both raising and lowering operations.
5. Each load should be placed in a stable position within the edges of the platform as near as possible to the center of the platform side to side, and as close to the truck sill as possible.
6. Never stand in or move through or allow anyone else to stand in or move through the area in which the lift may operate or into which an upset load might fall.
7. This is not a passenger lift. This liftgate is intended for loading and unloading of cargo only. Do not use this liftgate for anything but its intended use.

Anthony Liftgates, Inc.

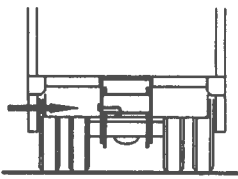
6/95

Q-003013

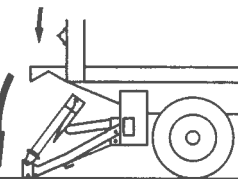
2.

**ANTHONY ATU, AST, AK & LB LIFTGATE
OPERATING INSTRUCTIONS**

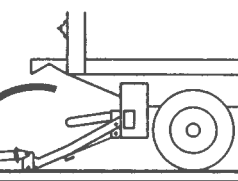
1
UNLATCH LIFTGATE BY TWISTING, THEN SLIDING "LATCH PIN" IN DIRECTION OF ARROW



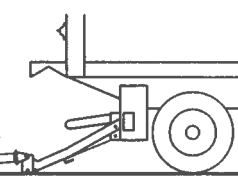
2
LOWER PLATFORM BY PUSHING CONTROL SWITCH TO "DOWN" POSITION
Platform will begin to open as it lowers.




3
UNFOLD PLATFORM BY PULLING PLATFORM HANDLE OUTWARD AND TOWARD GROUND.



4
UNFOLD FLIP SECTION.



5
FLIP SWITCH "UP" TO RAISE PLATFORM
-OR-
FLIP SWITCH "DOWN" TO LOWER PLATFORM



6
TO TUCK UNIT UNDER AFTER USE, LOWER PLATFORM TO GROUND AND REVERSE STEPS

1 **2** **3** **4**

ANTHONY LIFTGATES, INC.
1037 WEST HOWARD ST. PONTIAC, IL 61764
ATU-423

3.

NOTICE

THIS LIFTGATE IS PROTECTED WITH AN ELECTRICAL OVERLOAD CIRCUIT BREAKER, LOCATED NEAR THE POWER SUPPLY.

A-150238

4.

**1500 lb.
MAXIMUM
CAPACITY**

A-131015

IMPORTANT NOTICE

Make sure the proper "maximum capacity" decal goes on the appropriate liftgate. For example, the "1500 maximum capacity" decal goes on AST1500 models only. Do not put a higher rated decal (3000 pound) on a smaller liftgate (model 1500); this could result in liftgate damage or possibly personal injury.

5.

STAND CLEAR

**DO NOT RIDE
ON LIFT**

ATU-146

6.

**SECURE LATCH WHILE
IN TRANSIT**



P/N ATU-143

7.

Note:

**Disengage “latch”
before attempting to
use liftgate.**

**Engage “latch” after
using liftgate.**

A-131017

8.

**AFTER USING LIFTGATE, SECURE
LATCH AND, IF EQUIPPED WITH
POWER CUT-OFF SWITCH, TURN
OFF POWER TO PREVENT UNAU-
THORIZED USE OF LIFTGATE**

ATU-141

10.





Anthony Liftgates, Inc.
1037 W. Howard Street • P.O. Box 615 • Pontiac, IL 61764-0615
Ph: 815.842.3383 • Fax: 815.844.3612 • Toll Free: 800.482.0003
www.anthonyliftgates.com
