

MRT

MRT-3500

General Purpose
BH - Bed Height
GB - Gas Bottle
SL - Side Load

MRT-4500

General Purpose
BH - Bed Height
GB - Gas Bottle
SL - Side Load

MRT-5500

General Purpose
BH - Bed Height
SL - Side Load

MRT-6500

General Purpose
BH - Bed Height



Contents

1. General Information Section	
MRT 3500-4500-5500-6500	3
1.1 Introduction	3
1.2 Serial Number	3
1.3 Replacement Parts and Hazard Decals	3
2. Safety	4
2.1 Safety is Your Responsibility	4
2.1.1 Personal Protection	4
2.1.2 Equipment / Tools / Parts	4
3. H-Frame Assemblies	5
3.1 H-Frame Complete Assembly	5
3.2 H-Frame Railtrac Assembly	6
3.2.1 Cat Track and Hardware	7
3.2.2 Runner Guides and Hardware.	8
3.3 Header Kits	8
4. Platform Assemblies	10
4.1 General Purpose (GP) Platform	10
4.2 Side Ramp Platform	12
4.3 + 12 Fixed Platforms	14
4.4 + 12 Fixed Platforms with Manual Cart Stops	16
4.5 + 12 Platforms with Auto Cart Stops	18
4.6 SLR Platforms	20
4.7 SLR Hi-Vis Platforms	22
4.8 Aluminum Platform (No Latch)	24
4.9 Aluminum Platform (With Latch)	27
4.10 Gas Bottle Platform	28
5. Hydraulic System	30
5.1 Power Down	30
5.1.1 Power Down Hydraulic Cylinder and Hydraulic Hoses	30
5.1.2 Extension Kit, Hose and Wiring	31
5.1.3 Power Down Power Pack and Pump Box	32
5.1.4 Power Down Wiring, Hoses and Fittings	34
5.1.5 Power Down Power Pack	36
5.2 Gravity Down Models.	38
5.2.1 Gravity Down Hydraulic Cylinder and Hydraulic Hoses	38
5.2.2 Extension Kit, Hose and Wiring	39
5.2.3 Gravity Down Power Pack and Pump Box.	40
5.2.4 Gravity-Down Wiring, Hoses, and Fittings	42
5.2.5 Gravity Down Power Pack.	44
5.3 Closer / Tilt Cylinder	46
6. Battery Box	48
7. Electrical.	50
7.1 Taillights for Lightbox	50
7.2 Platform Light Kits	50
7.3 Column Control Switches.	50
7.3.1 Curbside and Streetside Gravity Down Control Switch	50
7.3.2 Curbside and Streetside Power Down Control Switch with ON/OFF	51
7.3.3 Curbside and Streetside FTPD Control Switch	51
7.3.4 Curbside and Streetside FTPD Power Open Control Switch	51
7.3.5 Full Length Runner Controls	52
7.3.6 Auxiliary Controls	52
7.3.7 Repair Switches.	52
7.4 Column Cord Covers	53
8. Safety and Instructional Decals	54
8.1 Decal Part Number List.	54
8.2 Decal Kit Part Number List	54
8.3 Decal Illustrations.	54
Truck Body Decals	54
Curbside H-Frame Decals	56
Streetside H-Frame Decals.	56
Control Decals	56
Pump Box Decals	57
Pump Unit Decals	57
Pump Hose Decals	58
Battery Box Decals	58

1. General Information Section MRT 3500-4500-5500-6500

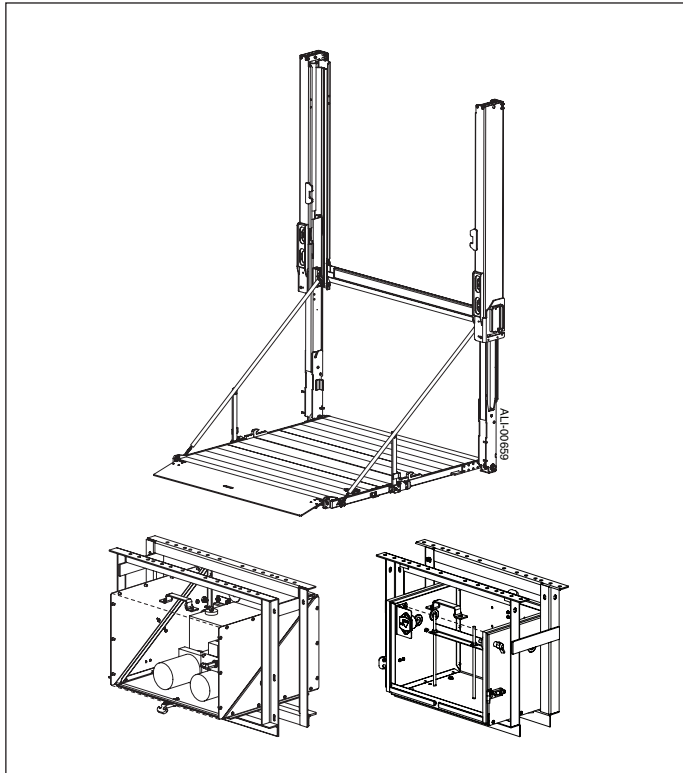
1.1 Introduction

Congratulations on selecting an Anthony Liftgates Magnum Railtrac™ liftgate.

All Anthony Magnum Railtrac model liftgates are factory assembled, energized, and tested to ensure the highest quality performance standards. The MRT liftgates ship completely assembled for fast, clean, and easy installation.

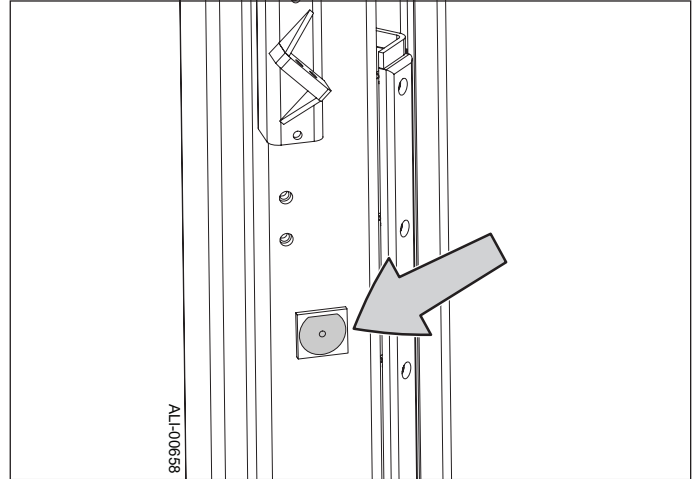
This Parts Manual contains part numbers for present Anthony Liftgates Magnum Railtrac models. The parts illustrated in the parts drawings are representative of typical parts used in the actual liftgate and may not look exactly like the part(s) on your liftgate.

Part numbers and drawings are subject to change without notice. At the bottom of each page is the Anthony Liftgates Inc. Product Support phone number.



1.2 Serial Number

Before calling for warranty or other product information, have the serial number, model number, and lift capacity of your liftgate available. This information is stamped into the identification plate on the streetside runner and will help us verify your warranty information and your specific liftgate.



1.3 Replacement Parts and Hazard Decals

To order replacement parts or hazard/informational decals, contact us through your normal dealer channels.

SAFETY INSTRUCTIONS



Being unaware of safety recommendations can lead to personal injury.

The installer must make sure all decals are attached to both the liftgate and truck and are clearly legible.

2. Safety



Indicates a potentially hazardous situation which, if not avoided, **COULD** result in death or serious injury.



Indicates a potentially hazardous situation which, if not avoided, **MAY** result in minor or moderate injury.



Indicates specific safety-related instructions or procedures.

2.1 Safety is Your Responsibility

It is the responsibility of the installer to understand the proper installation and operating procedures. Be aware of the inherent dangers in the use of this product and the tools used to install it. Read and understand all Warnings, Cautions, Notices, Safety Instructions, and Notes in this manual, on the liftgate, or on the truck.

Accidents can often be avoided by being alert and recognizing potentially hazardous situations. The safety information in this manual serves as an essential guide in an attempt to prevent injury or death.

2.1.1 Personal Protection



During installation, do not work under the liftgate while it is suspended from the lifting device or after it is attached to the truck. Failure of the lifting device could cause severe crushing injuries. Do not remove the lifting device until the liftgate is securely tack welded onto the truck frame. Unintentional lowering of the liftgate could also cause severe injury.



When installing or operating this unit, wear appropriate personal protective equipment. This list may include, but is not limited to:

- A hard hat.
- Protective shoes with slip-resistant soles.
- Protective goggles, glasses, or face shield.
- Protective clothing such as welders gloves and flame-resistant welders jacket.

2.1.2 Equipment / Tools / Parts



Do not install this unit if it is damaged. If you believe the unit has a defect, which could cause it to work improperly, you should immediately stop the installation and remedy the problem before continuing.



Make sure the liftgate or truck will not be damaged or made unsafe by the installation or use of the liftgate.



Never secure the power cable to anything which allows it to contact sharp edges, other wires, fuel tank, fuel lines, brake lines, air lines, exhaust system, or any other object that could cause the power cable to wear or be damaged. A cut battery cable can cause sparks and/or component damage resulting in loss of vehicle control, serious injury, or even death.



If replacement parts are necessary, genuine factory OEM replacement parts must be used to restore the liftgate to the original specifications. Anthony Liftgates will not accept responsibility for damages as a result of using unapproved parts. If non-OEM replacement parts are used, the warranty will be voided.



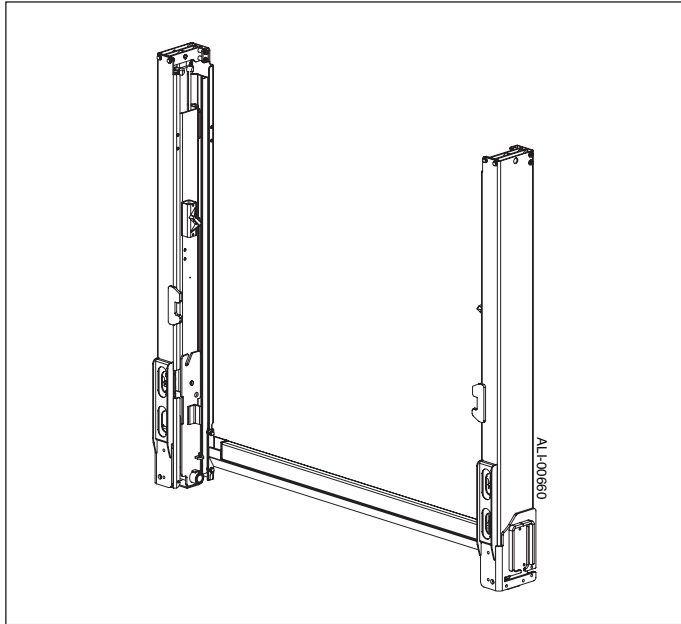
Do not modify safety devices. Do not weld on the liftgate assembly, except the columns and floor extension. Unauthorized modifications may impair its function and safety.



Make sure all parts are in good working condition and properly installed. Replace any damaged parts immediately.

3. H-Frame Assemblies

3.1 H-Frame Complete Assembly

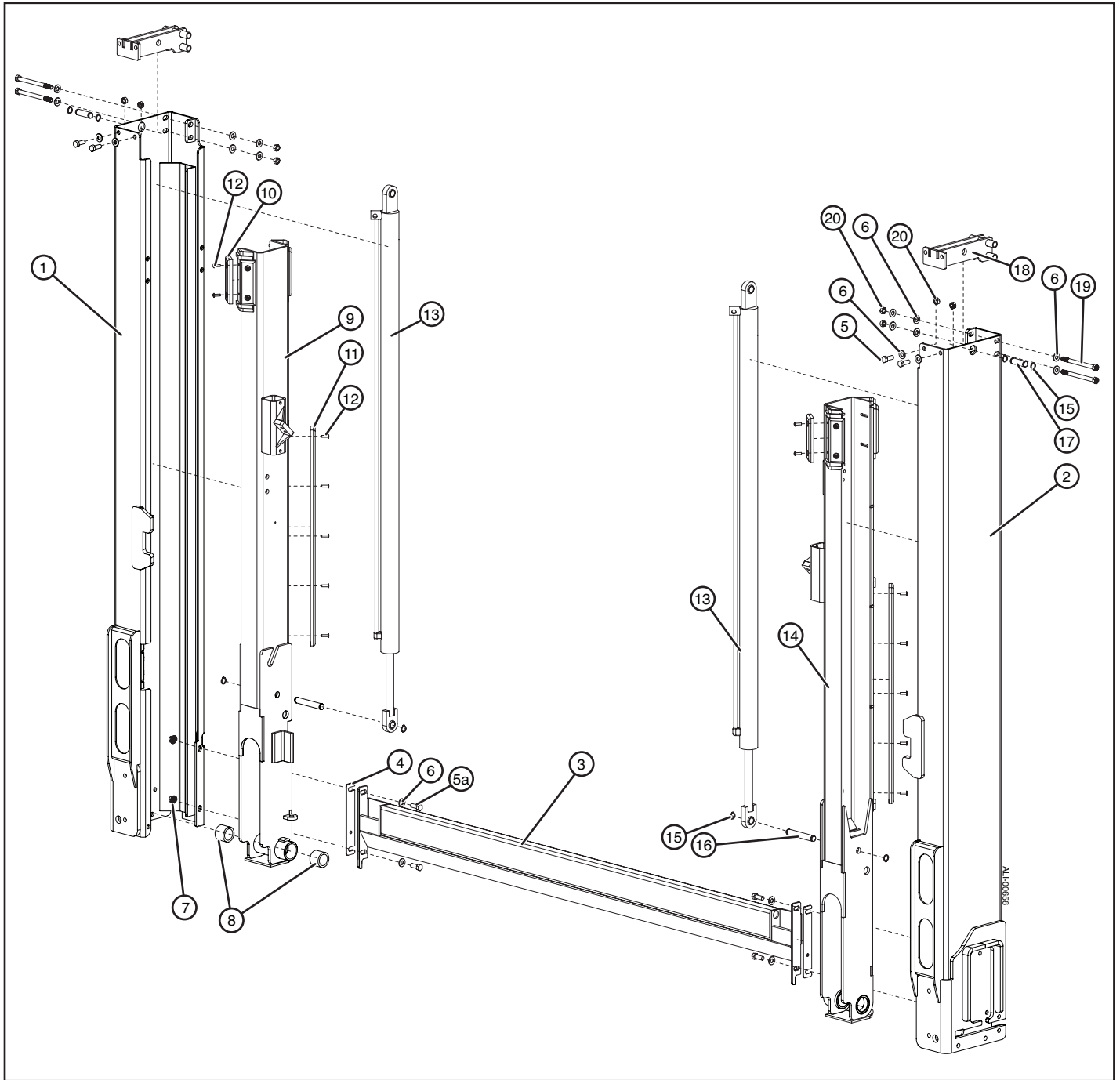


Type and Structure Suffix Nomenclature			
Part Number	Suffix	Column	Runner
Weld-On	—	PAINTED	PAINTED
Weld-On	-SS	STAINLESS	PAINTED
Weld-On	-SSG	STAINLESS	GALVANIZED
Bolt-On	-G	GALVANIZED	PAINTED
Bolt-On	-GG	GALVANIZED	GALVANIZED
Bolt-On	-PB	PAINTED	PAINTED
Bolt-On	-SSB	STAINLESS	PAINTED
Bolt-On	-SSBG	STAINLESS	GALVANIZED

96" H-Frame Assembly with 10.5" Columns and Light Boxes	
Part Number	Type
42 Inch	
A-177846	Gravity Down (GD)
A-177847	Power Down (PD)
36 Inch	
A-177859	GD
A-177959	PD
30 Inch	
A-177864	GD
Gas Bottle	
A-177848	GD

102" H-Frame Assembly with 10.5" Columns and Light Boxes	
Part Number	Type
42 Inch	
A-177830	Gravity Down (GD)
A-177849	Power Down (PD)
42 Inch Overwrap	
A-177927	GD
42 Inch with Nylon Pads	
SG-1107-02	PD
42 Inch Side Load with 3-1/2 Inch Drop	
SG-1067-223	GD
SG-1067-220	PD
42 Inch Side Load with 2 Inch Drop	
SG-1067-222	GD
SG-1067-221	PD
36 Inch	
A-177845	GD
A-177993	PD
32 Inch	
SG-1129-70	GD - LH 32" Hook
30 Inch	
A-177862	GD
A-177873	PD
SG-1129-01	GD - LH 30" Hook
Gas Bottle	
A-177868	GD
A-177889	PD
Gas Bottle with LH Control	
A-177992	PD

3.2 H-Frame Railtrac Assembly



Item	Part Number	Description	Qty.
1	A-177829, -SS, -G, -PB, -SSB	COLUMN: STREETSIDE, 42" HOOKS	1
	A-177870, -SS, -G, -PB, -SSB	COLUMN: STREETSIDE, 42" HOOKS, STREETSIDE CONTROL	
	A-177926	COLUMN: STREETSIDE, 42" HOOKS, OVERWRAP	
	A-177844, -SS, -G, -PB, -SSB	COLUMN: STREETSIDE, 36" HOOKS	
	A-177871, -SS, -G, -PB, -SSB	COLUMN: STREETSIDE, 36" HOOKS, STREETSIDE CONTROL	
	A-177855, -SS, -G, -PB, -SSB	COLUMN: STREETSIDE, 30" HOOKS	
	A-177872, -SS, -G, -PB, -SSB	COLUMN: STREETSIDE, 30" HOOKS, STREETSIDE CONTROL	
	SG-1129-02, -SS, -G, -PB, -SSB	COLUMN: STREETSIDE, 30" HOOKS	
	SG-1129-71, -SS, -G, -PB, -SSB	COLUMN: STREETSIDE, 32" HOOKS	
SG-1067-219, -SS, -G, -PB, -SSB	COLUMN: STREETSIDE, SIDE LOAD		

Item	Part Number	Description	Qty.		
2	A-177828, -SS, -G, -PB, -SSB A-177925	COLUMN: CURBSIDE, 42" HOOKS COLUMN: CURBSIDE, 42" HOOKS, OVERWRAP	1		
	A-177843, -SS, -G, -PB, -SSB	COLUMN: CURBSIDE 36" HOOKS			
	A-177854, -SS, -G, -PB, -SSB	COLUMN: CURBSIDE 30" HOOKS			
	SG-1067-218, -SS, -G, -PB, -SSB	COLUMN: CURBSIDE, SIDE LOAD			
	SG-1129-03, -SS, -G, -PB, -SSB	COLUMN: CURBSIDE (NO HOOKS)			
3	A-177520, -SS, -G, -PB, -SSB A-177800, -SS, -G, -PB, -SSB SG-1067-128, -SS, -G, -PB, -SSB	FLOOR EXTENSION CROSS-MEMBER WELDMNT, 96" FLOOR EXTENSION CROSS-MEMBER WELDMNT, 96" TRIP FLOOR EXTENSION CROSS-MEMBER WELDMNT, 96", 3.5" DROP	1		
	A-177448, -SS, -G, -PB, -SSB A-177801, -SS, -G, -PB, -SSB SG-1067-107, -SS, -G, -PB, -SSB	FLOOR EXTENSION CROSS-MEMBER WELDMNT, 102" FLOOR EXTENSION CROSS-MEMBER WELDMNT, 102" TRIP FLOOR EXTENSION CROSS-MEMBER WELDMNT, 102", 3.5" DROP			
	4	A-177523, -SS		SHIM	2
	5	ATU-260 A-132394		BOLT, HEX HEAD, 1/2-13 NC X 1-1/4" LONG BOLT, HEX HEAD, SS, 1/2-13 NC X 1-1/2" LONG	4
		5a		ATU-260 A-132374	
	6			A-150065 A-132375	FLAT WASHER, 1/2" SAE FLAT WASHER, SS, 1/2" SAE
7		A-132395 A-132377	HEX NUT, 1/2-13 NC HEX NUT, SS, 1/2-13 NC	4	
	8	A-176501	BUSHING, STREETSIDE RUNNER		2
9	A-177431, -G A-177559, -G SG-1067-106, -G	RUNNER WELDMNT, STREETSIDE STANDARD RUNNER WELDMNT, STREETSIDE GAS BOTTLE RUNNER WELDMNT, STREETSIDE SIDE LOAD	1		
	10	A-176472 A-177834		WEAR STRIP, UPPER, 6" LONG (UHMW PLASTIC) WEAR STRIP, UPPER, 6" LONG (NYLON)	8
		11		A-176766 A-177833	
12	A-132087		RIVET	36	
13	A-130181	LIFT CYLINDER ASSEMBLY (#6 SAE PORTS)	2		
14	A-177430, -G A-177558, -G SG-1067-105, -G	RUNNER WELDMNT, CURBSIDE STANDARD RUNNER WELDMNT, CURBSIDE GAS BOTTLE RUNNER WELDMNT, CURBSIDE, SIDE LOAD	1		
	15	473		3/4" RETAINING RING (SNAP RING)	8
	16	A-176813		PIN, LOWER, LIFT CYLINDER, 3/4" DIA.	2
17	A-176814	PIN, UPPER, LIFT CYLINDER, 3/4" DIA.	2		
18	A-177472, -P A-177605, -P	CYLINDER MOUNT CYLINDER MOUNT, GAS BOTTLE	2		
	19	A-130313 A-132373		BOLT, HEX HEAD, 1/2-13 NC X 6" LONG BOLT, HEX HEAD, SS, 1/2-13 NC X 6" LONG	4
20		A-132024 A-132261	LOCKNUT, 1/2-13 LOCKNUT, SS, 1/2-13	8	

3.2.1 Cat Track and Hardware

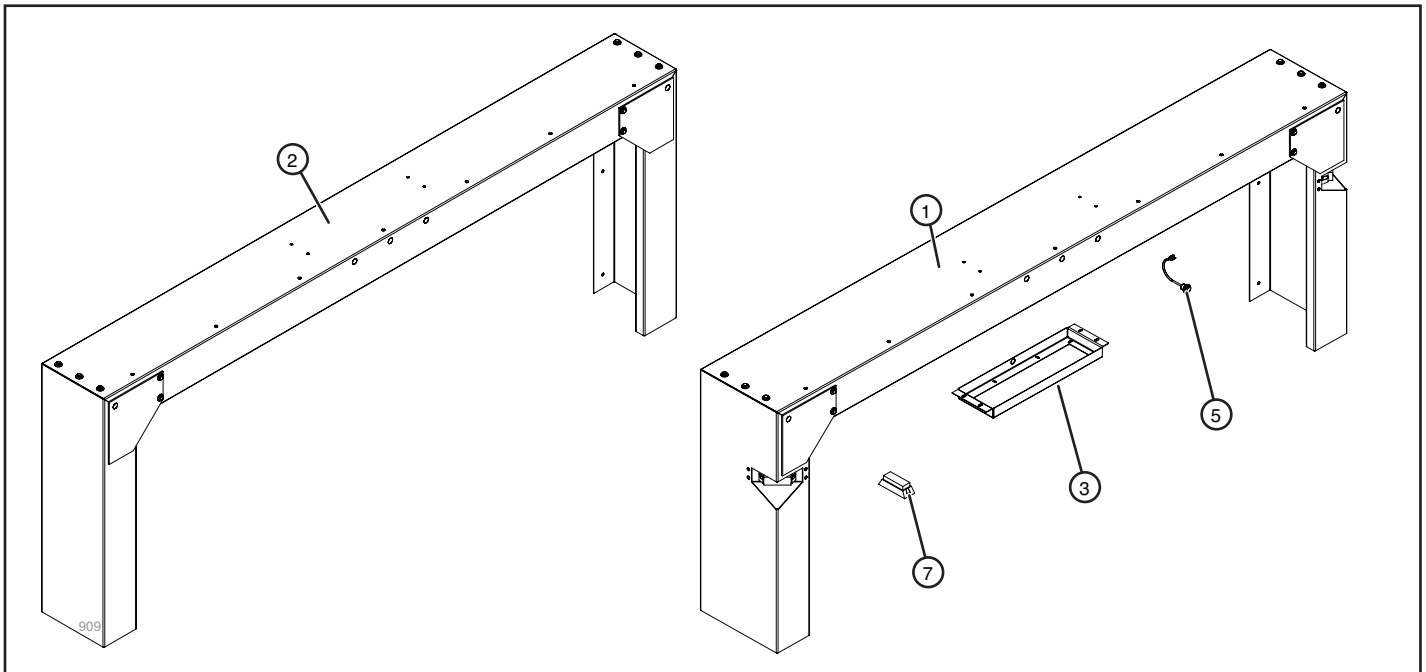
Item	Part Number	Description	Qty.
1	A-177445, -G	HOSE GUIDE	1
2	6608	5/16-18 X 1" BOLT	3
3	6611	5/16 LOCKWASHER	3
4	A-176840	CAT TRACK	1
5	2001	10-32 X 1/2" SLOTTED BUTTONHEAD SS	4
6	A-132071	10-32 NYLOCK SS	4

3.2.2 Runner Guides and Hardware

Item	Part Number	Description	Qty.
1	A-177840, -G	RUNNER GUIDE PAD ASSEMBLY	2
2	5434	5/16-18 X 3/4" BOLT	4
	A-132379	5/16-18 X 3/4" BOLT, SS	
3	6611	5/16 LOCKWASHER	4
	A-132378	5/16 LOCKWASHER, SS	
4	880	1/2-13 JAM NUT	6
	A-132380	1/2-13 JAM NUT, SS	
5	A-132341	1/2-13 X 1" SET SCREW, SS	6

3.3 Header Kits

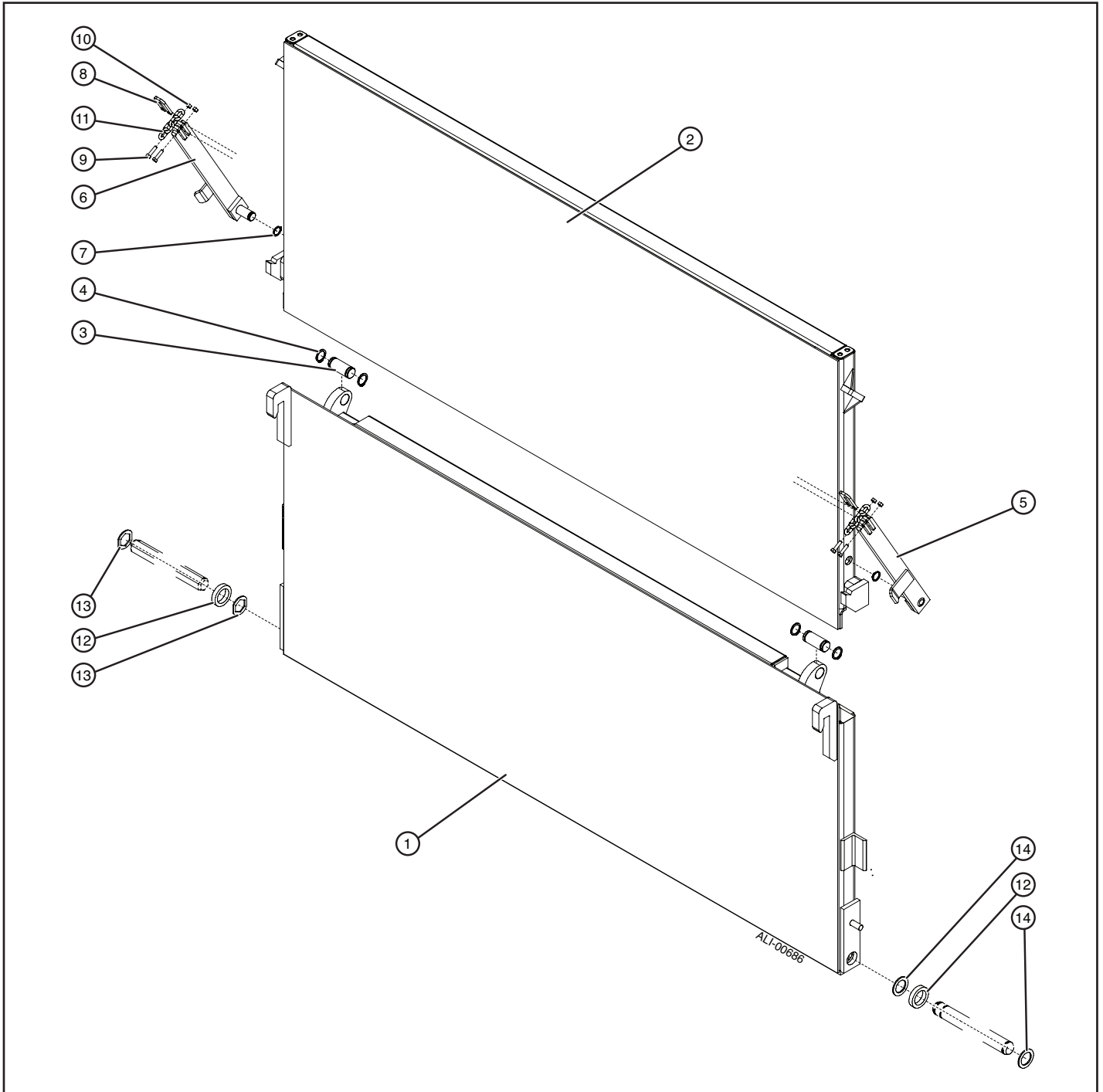
Item	Part Number	Description
1	A-177911, -SS	HEADER KIT WITH LIGHTS, FOR 96" BOLT-ON LIFTGATES
	A-177-912, -SS	HEADER KIT WITH LIGHTS, FOR 102" BOLT-ON LIFTGATES
	A-177904, -SS	HEADER KIT WITH LIGHTS, FOR 96" WELD-ON LIFTGATES
	A-177905, -SS	HEADER KIT WITH LIGHTS, FOR 102" WELD-ON LIFTGATES
2	A-176600, -SS	HEADER KIT W/O LIGHTS, FOR 96" BOLT-ON LIFTGATES
	A-176601, -SS	HEADER KIT W/O LIGHTS, FOR 102" BOLT-ON LIFTGATES
	A-177418, -SS	HEADER KIT W/O LIGHTS, FOR 96" WELD-ON LIFTGATES
	A-177419, -SS	HEADER KIT W/O LIGHTS, FOR 102" WELD-ON LIFTGATES
3	A-177427, -SS	DOME LIGHT BRACKET
4	A-133410	DOME LIGHT (NOT SHOWN)
5	A-133411	MARKER LIGHT
6	A-177584	HEADER LIGHT KIT [ONE DOME LIGHT (ITEM 4) AND FIVE MARKER LIGHTS (ITEM 5)]
7	A-133566	OPTRONICS STROBE LIGHT: SLL81ACB



NOTES

4. Platform Assemblies

4.1 General Purpose (GP) Platform



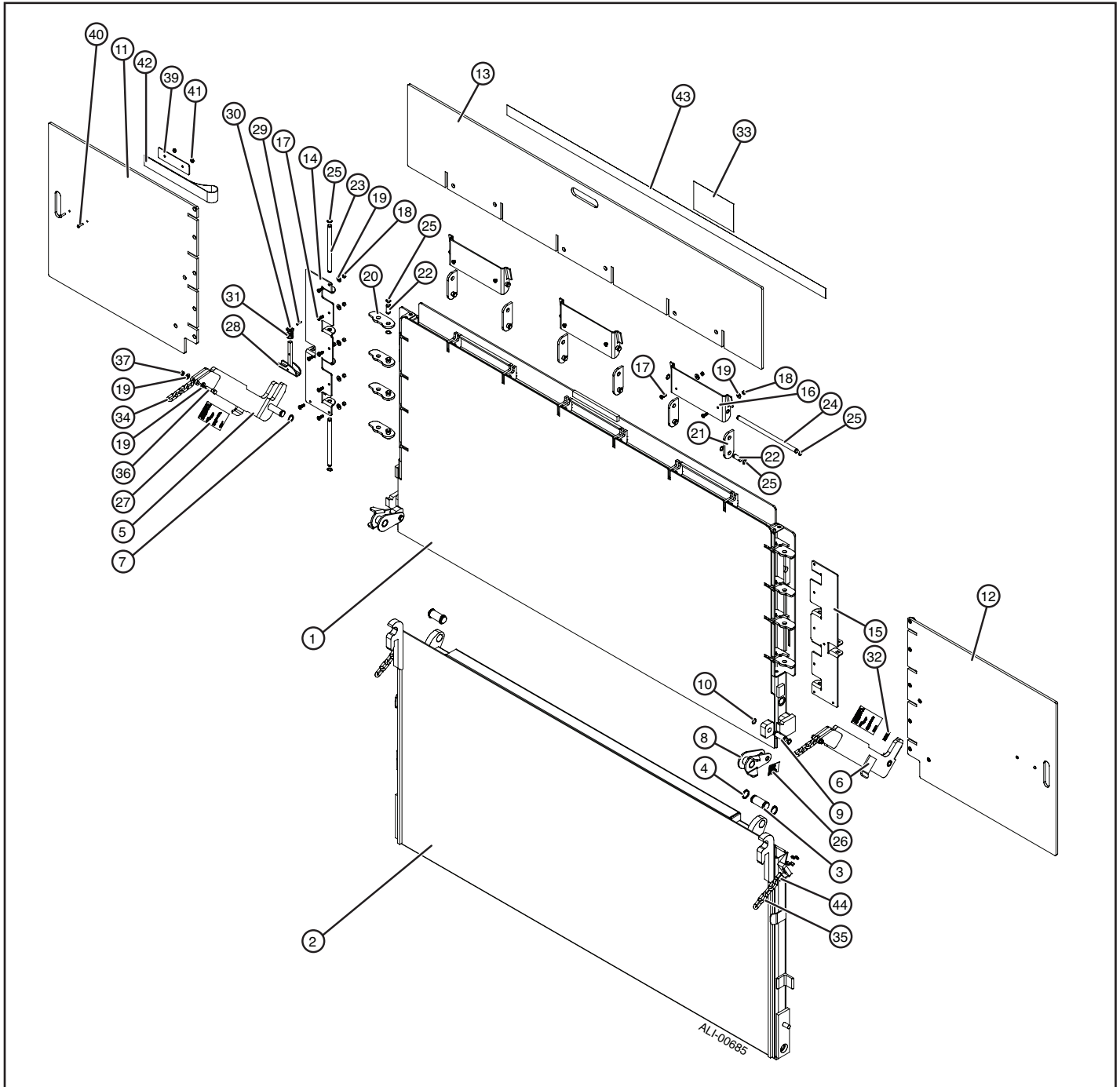
Item	Part Number	Description	Qty.		
1, 2	A-177586, -G A-177033, -G A-176519-G	80 X 60 GP, PLATFORM COMPLETE, 3500/4500 MAIN PLATFORM SECTION FLIPOVER SECTION	1		
	A-177586-HD, HDG A-177033, -G A-176519-G	80 X 60 GP, 5500/6500 MAIN PLATFORM SECTION FLIPOVER SECTION			
	A-177589, -G A-177031, -G A-176687, -G	80 X 72 GP, PLATFORM COMPLETE, 3500/4500 MAIN PLATFORM SECTION FLIPOVER SECTION			
	A-177589-HD, HDG A-177031, -G A-176687, -G	80 X 72 GP, 5500/6500 MAIN PLATFORM SECTION FLIPOVER SECTION			
	A-177593, -G A-177029, -G A-176451, -G	80X84 GP, PLATFORM COMPLETE, 3500/4500 MAIN PLATFORM SECTION FLIPOVER SECTION			
	A-177593-HD, HDG A-177029, -G A-176451, -G	80X84 GP, PLATFORM COMPLETE, 5500/6500 MAIN PLATFORM SECTION FLIPOVER SECTION			
	A-177595, -G A-177034, -G A-176541, -G	86X60 GP, PLATFORM COMPLETE, 3500/4500 MAIN PLATFORM SECTION FLIPOVER SECTION			
	A-177595-HD, HDG A-177034, -G A-176541, -G	86X60 GP, PLATFORM COMPLETE, 5500/6500 MAIN PLATFORM SECTION FLIPOVER SECTION			
	A-177598*, -G A-177032, -G A-176688, -G	86X72 GP, PLATFORM COMPLETE, 3500/4500 MAIN PLATFORM SECTION FLIPOVER SECTION			
	A-177598-HD, HDG A-177032, -G A-176688, -G	86X72 GP, PLATFORM COMPLETE, 5500/6500 MAIN PLATFORM SECTION FLIPOVER SECTION			
	A-177601, -G A-177030, -G A-176525, -G	86X84 GP, 3500/4500 MAIN PLATFORM SECTION FLIPOVER SECTION			
	A-177601-HD, HDG A-177030, -G A-176525, -G	86X84 GP, 5500/6500 MAIN PLATFORM SECTION FLIPOVER SECTION			
	3	A-171200		HINGE PIN	2
	4	A-146840		1 1/4" EXT HD RETAINING RING	4
5	A-177639, -P	30" LH CLOSER ARM	1		
	A-177637, -P	36" LH CLOSER ARM			
	A-177641, -P	42" LH CLOSER ARM			
6	A-177640, -P	30" RH CLOSER ARM	1		
	A-177638, -P	36" RH CLOSER ARM			
	A-177642, -P	42" RH CLOSER ARM			
7	A-150060	1" EXT HD RETAINING RING ZP	2		
8	A-177657, -P	CHAIN PLATE-CLOSER ARM	2		
9	870	5/16-18 x 1.250" HEX BOLT	4		
10	862	5/16-18 LOCKNUT	4		
11	A-176976, -P	9/32" GR 80 CHAIN - 73" LG for 30" CLOSER ARM (3500/4500)	2		
		9/32" GR 80 CHAIN - 82-1/2" LG for 36" CLOSER ARM (3500/4500)			
		9/32" GR 80 CHAIN - 90-1/2" LG for 42" CLOSER ARM (3500/4500)			
	A-176975, -P	5/16" GR 80 CHAIN - 73" LG for 30" CLOSER ARM (5500/6500)			
		5/16" GR 80 CHAIN - 82-1/2" LG for 36" CLOSER ARM (5500/6500)			
		5/16" GR 80 CHAIN - 90-1/2" LG for 42" CLOSER ARM (5500/6500)			
12	A-177623	PLATFORM SPACER BUSHING	2		
13	A-177021	WASHER, 1.375" HEX	2		
14	757026	WASHER, 2 1/4" X 1 17/32" 10G ZP	2		

* A-177598 Platform is shown in illustration. Some parts on other models may vary in size or shape, but not in function.

When ordering parts, add the appropriate letter to the end of the part number based on the finish of the part being replaced. In most cases, no letter following the part number of fabricated parts designates a painted finish.

G - Galvanized P - Plated HD - Heavy-Duty Painted 5500/6500 HDG - Heavy-Duty Galvanized 5500/6500

4.2 Side Ramp Platform



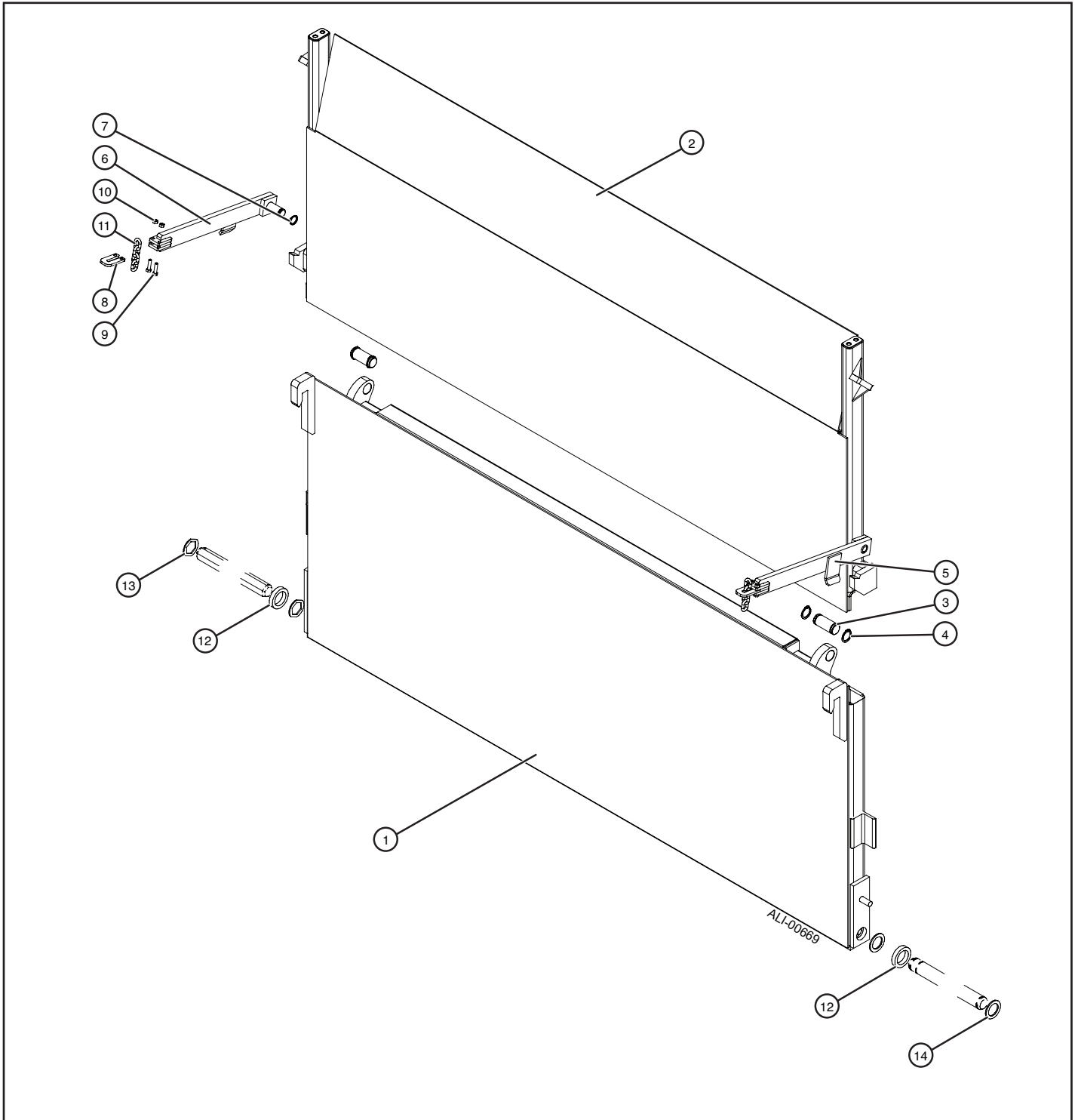
Item	Part Number	Description	Qty.
1, 2	SG-1067-125 SG-1067-119 SG-1067-118	80X84 W/3 END RAMPS, w/sidebars, PLATFORM COMPLETE, 5500 MAIN PLATFORM SECTION FLIPOVER SECTION	1
	SG-1067-202 SG-1067-203 SG-1067-118	80X84 W/3 END RAMPS, PLATFORM COMPLETE, 5500 MAIN PLATFORM SECTION FLIPOVER SECTION	
	SG-1067-60* SG-1067-112 SG-1067-03	86X84 W/3 END RAMPS, W/SIDEBARS, PLATFORM COMPLETE, 3500/4500/5500 MAIN PLATFORM SECTION FLIPOVER SECTION	
	SG-1067-200 SG-1067-201 SG-1067-03	86X84 W/3 END RAMPS, PLATFORM COMPLETE, 5500 MAIN PLATFORM SECTION FLIPOVER SECTION	
3	A-171200	HINGE PIN	2
4	A-146840	1 1/4" EXT HD RETAINING RING	4

Item	Part Number	Description	Qty.
5	SG-1067-04	CLOSER ARM WELDMENT - CURBSIDE	1
6	SG-1067-05	CLOSER ARM WELDMENT - STREETSIDE	1
7	A-150060	1" EXT HD RETAINING RING ZP	2
8	SG-1067-79	KICK PLATE WELDMENT (REV2)	2
9	SG-1067-82	GUIDE PIN	2
10	473	3/4" EXT HD RETAINING RING, ZP	4
11	SG-1067-73	SIDE RAMP REV 2 - RH	1
12	SG-1067-74	SIDE RAMP REV 2 - LH	1
13	SG-1067-72 A-177701	ARR-SLR (80X16) END RAMP REV2 102" MRT ARR-SLR (74X16) END RAMP REV2 96" MRT	1
14	SG-1067-65	SIDE RAMP HINGE PLATE W/M REV2 - CURBSIDE	1
15	SG-1067-66	SIDE RAMP HINGE PLATE W/M REV 2 - STREETSIDE	1
16	SG-1067-70	END RAMP HINGE PLATE REV2	3
17	A-132114	5/16-18 X 1" FH S/C/S 2P	20
18	862	5/16-18 LOCKNUT	20
19	2110	5/16" FW ZP	24
20	SG-1067-06	SIDE LINK	8
21	SG-1067-07	END LINK - SLR RAMPS	6
22	SG-1067-08	LINK PIN - PLATFORM SIDE	14
23	SG-1067-75	HINGE LINK PIN - RAMP SIDE REV 2: MRT-SL	4
24	SG-1067-76	END RAMP LINK PIN - RAMP SIDE	3
25	A-150023	5/8" EXTERNAL RING YZ HEAVY DUTY	42
26	SG-1067-47	SAFETY DECAL - KICK LATCHES	2
27	SG-1067-83	SAFETY DECAL-CLOSER ARMS	4
28	SG-1067-61	RAMP LOCKING PIN WELDMENT	2
29	A-132283	3/16" X 1" ROLL PIN, 18-8 SS	2
30	ATU-975	WASHER, SQUARE - ARR LOCK	2
31	SG-1067-71	LOCKING PIN SPRING REV2	2
32	A-131118	PATENT PENDING DECAL	2
33	SG-1067-86	LOAD RATING DECAL	1
34	A-176975-55.5	5/16" GR. 80 CHAIN - 55.5" LG.	2
35	A-176975-61.5	5/16" GR. 80 CHAIN - 61.5" LG.	2
36	2019	3/8"-16 X 1-3/4" H/H C/S GR8 YZP	2
37	2064	3/8-16 REVERSIBLE HEX L/N ZP	2
39	A-177326	STRAP REINFORCEMENT PLATE	2
40	S-047004	1/4-20 X 1" SLOTTED RDHD M/S ZP	4
41	2029	1/4-20 FLANGED L/N ZP	4
42	ATU-931	STRAP - GRAB FOR VARIOUS RAMPS	2
43	A-131117	CONSPICUITY TAPE	1
44	A-132368	U-BOLT KIT (PLATFORM END)	2

* SG-1067-60 Platform is shown in illustration. Some parts on other models may vary in size or shape, but not in function. When ordering parts, add the appropriate letter to the end of the part number based on the finish of the part being replaced. In most cases, no letter following the part number of fabricated parts designates a painted finish.

G - Galvanized HD - Heavy-Duty Painted 5500/6500 HDG - Heavy-Duty Galvanized 5500/6500 P - Plated

4.3 + 12 Fixed Platforms



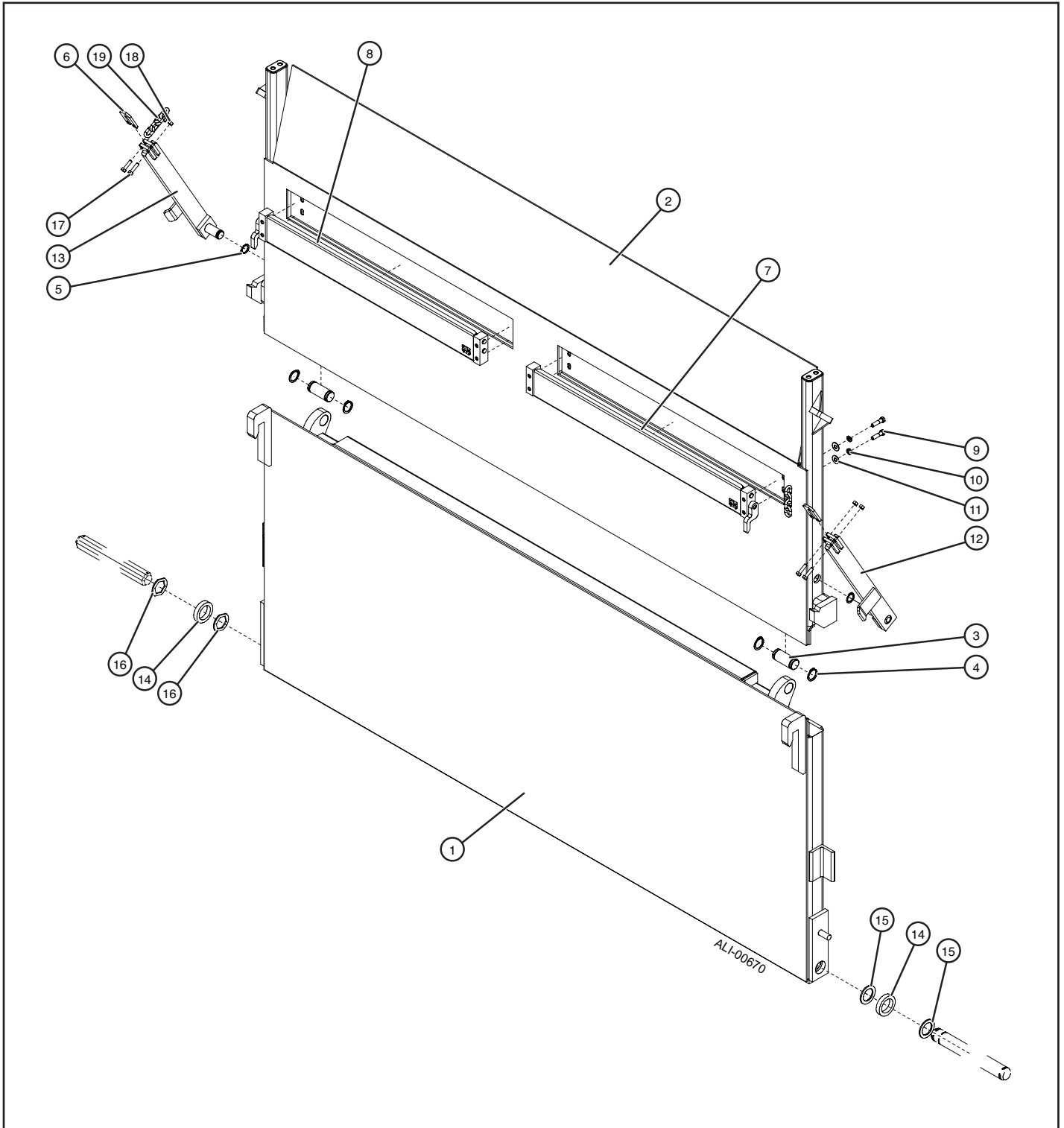
Item	Part Number	Description	Qty.
1, 2	A-177759, -G, -HD, -HDG A-177033, -G A-176529, -G	80X48+12 FIXED, PLATFORM COMPLETE, 3500/4500 (G), 5500/6500 (HD, HDG) MAIN PLATFORM SECTION 80X30 FLIPOVER SECTION 80X30	1
	A-177761, -G, -HD, -HDG A-177031, -G A-176788, -G	80X60+12 FIXED, PLATFORM COMPLETE, 3500/4500 (G), 5500/6500 (HD, HDG) MAIN PLATFORM SECTION 80X36 FLIPOVER SECTION 80X36	
	A-177763, -G, -HD, -HDG A-177029, -G A-176542, -G	80X72+12 FIXED, PLATFORM COMPLETE, 3500/4500 (G), 5500/6500 (HD, HDG) MAIN PLATFORM SECTION 80X42 FLIPOVER SECTION 80X42	
	A-177760, -G, -HD, -HDG A-177034, -G A-176538, -G	86X48+12 FIXED, PLATFORM COMPLETE, 3500/4500 (G), 5500/6500 (HD, HDG) MAIN PLATFORM SECTION 80X30 FLIPOVER SECTION 80X30	
	A-177762*, -G, -HD, -HDG A-177032, -G A-176787, -G	86X60+12 FIXED, PLATFORM COMPLETE, 3500/4500 (G), 5500/6500 (HD, HDG) MAIN PLATFORM SECTION 86X36 FLIPOVER SECTION 86X36	
	A-177764, -G, -HD, -HDG A-177030, -G A-176545, -G	86X72+12 FIXED, PLATFORM COMPLETE, 3500/4500 (G), 5500/6500 (HD, HDG) MAIN PLATFORM SECTION 86X42 FLIPOVER SECTION 86X42	
3	A-171200	HINGE PIN	2
4	A-146840	1 1/4" EXT HD RETAINING RING	4
5	A-177639, -P	30" LH CLOSER ARM	1
	A-177637, -P	36" LH CLOSER ARM	
	A-177641, -P	42" LH CLOSER ARM	
6	A-177640, -P	30" RH CLOSER ARM	1
	A-177638, -P	36" RH CLOSER ARM	
	A-177642, -P	42" RH CLOSER ARM	
7	A-150060	1" EXT HD RETAINING RING ZP	2
8	A-177657, -P	CHAIN PLATE-CLOSER ARM	2
9	870	5/16-18 x 1.250" HEX BOLT	4
10	862	5/16-18 LOCKNUT	4
11	A-176976	9/32" GR 80 CHAIN - 73" LG for 30" CLOSER ARM (3500/4500)	2
	A-176975	9/32" GR 80 CHAIN - 82-1/2" LG for 36" CLOSER ARM (3500/4500)	
		9/32" GR 80 CHAIN - 90-1/2" LG for 42" CLOSER ARM (3500/4500)	
		5/16" GR 80 CHAIN - 73" LG for 30" CLOSER ARM (5500/6500)	
		5/16" GR 80 CHAIN - 82-1/2" LG for 36" CLOSER ARM (5500/6500)	
5/16" GR 80 CHAIN - 90-1/2" LG for 42" CLOSER ARM (5500/6500)			
12	A-177623	PLATFORM SPACER BUSHING	2
13	A-177021	WASHER, 1.375" HEX	2
14	757026	WASHER, 2 1/4" X 1 17/32" 10G ZP	2

* A-177762 Platform is shown in illustration. Some parts on other models may vary in size or shape, but not in function.

When ordering parts, add the appropriate letter to the end of the part number based on the finish of the part being replaced. In most cases, no letter following the part number of fabricated parts designates a painted finish.

G - Galvanized HD - Heavy-Duty Painted 5500/6500 HDG - Heavy-Duty Galvanized 5500/6500 P - Plated

4.4 + 12 Fixed Platforms with Manual Cart Stops



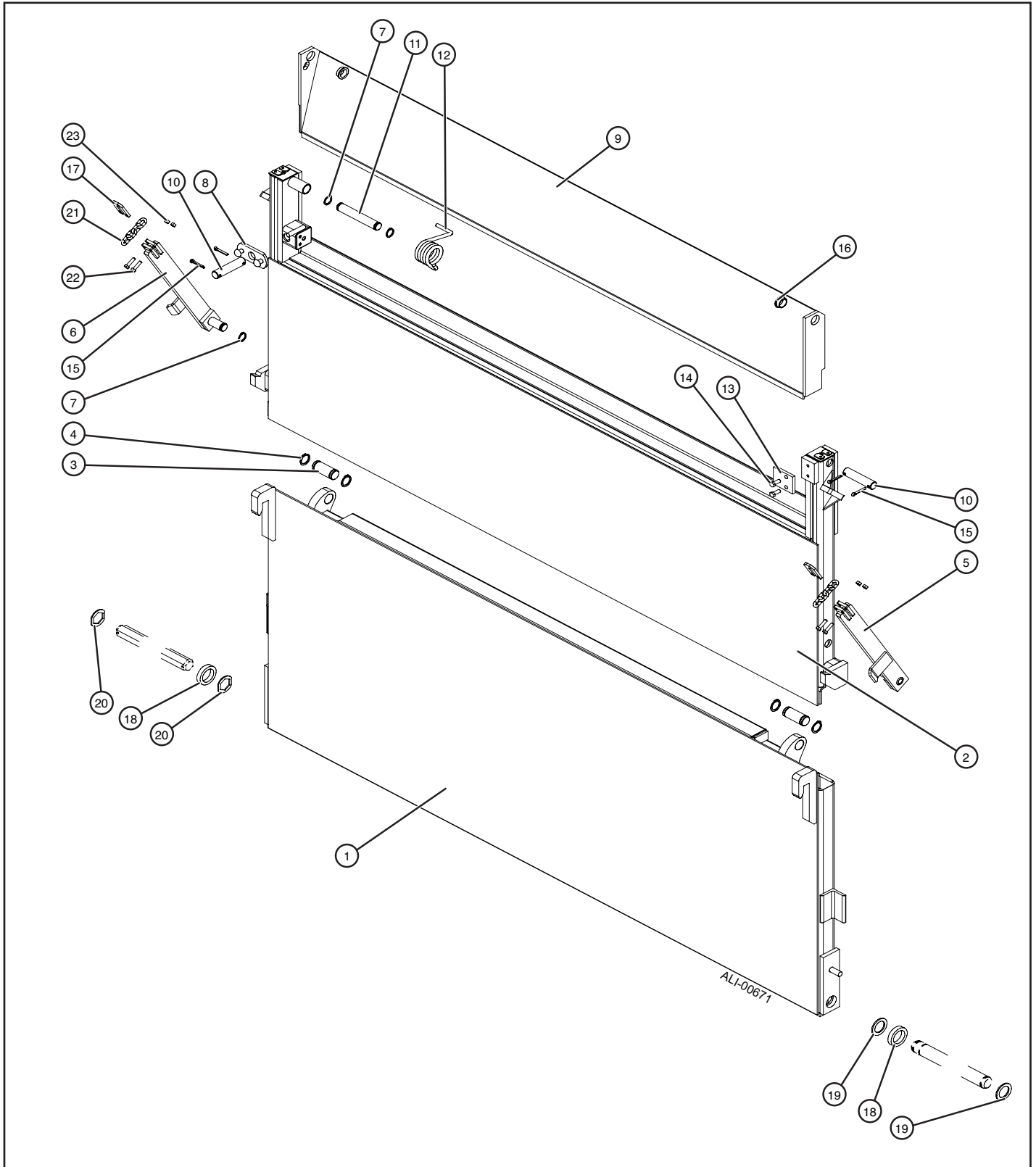
Item	Part Number	Description	Qty.
1, 2	A-177767, -G, -HD, -HDG A-177033, -G A-177765, -G	80X48+12 FIXED, PLATFORM COMPLETE, 3500/4500 (G), 5500/6500 (HD, HDG) MAIN PLATFORM SECTION 80X30 FLIPOVER SECTION 80X30	1
	A-177773, -G, -HD, -HDG A-177031, -G A-177771, -G	80X60+12 FIXED, PLATFORM COMPLETE, 3500/4500 (G), 5500/6500 (HD, HDG) MAIN PLATFORM SECTION 80X36 FLIPOVER SECTION 80X36	
	A-177779, -G, -HD, -HDG A-177029, -G A-177777, -G	80X72+12 FIXED, PLATFORM COMPLETE, 3500/4500 (G), 5500/6500 (HD, HDG) MAIN PLATFORM SECTION 80X42 FLIPOVER SECTION 80X42	
	A-177770, -G, -HD, -HDG A-177034, -G A-177768, -G	86X48+12 FIXED, PLATFORM COMPLETE, 3500/4500 (G), 5500/6500 (HD, HDG) MAIN PLATFORM SECTION 80X30 FLIPOVER SECTION 80X30	
	A-177776*, -G, -HD, -HDG A-177032, -G A-177774, -G	86X60+12 FIXED, PLATFORM COMPLETE, 3500/4500 (G), 5500/6500 (HD, HDG) MAIN PLATFORM SECTION 86X36 FLIPOVER SECTION 86X36	
	A-177782, -G, -HD, -HDG A-177030, -G A-177780, -G	86X72+12 FIXED, PLATFORM COMPLETE, 3500/4500 (G), 5500/6500 (HD, HDG) MAIN PLATFORM SECTION 86X42 FLIPOVER SECTION 86X42	
3	A-171200	HINGE PIN	2
4	A-146840	1 1/4" EXT HD RETAINING RING	4
5	A-150060	1" EXT HD RETAINING RING ZP	2
6	A-177657, -P	CHAIN PLATE-CLOSER ARM	2
7	A-140035, -P	"STREETSIDE" CART STOP ASSEMBLY	1
8	A-140079, -P	"CURBSIDE" CART STOP ASSEMBLY	1
9	25	3/8-16 X 1-1/2" HCS GR8 ZP	8
10	2054	3/8 LOCK WASHER	8
11	2058	3/8 FLAT WASHER	8
12	A-177639, -P	30" LH CLOSER ARM	1
	A-177637, -P	36" LH CLOSER ARM	
	A-177641, -P	42" LH CLOSER ARM	
13	A-177640, -P	30" RH CLOSER ARM	1
	A-177638, -P	36" RH CLOSER ARM	
	A-177642, -P	42" RH CLOSER ARM	
14	A-177623	PLATFORM SPACER BUSHING	2
15	757026	WASHER, 2 1/4" X 1 17/32" 10G ZP	2
16	A-177021	WASHER, 1.375" HEX	2
17	870	5/16-18 x 1.250" HEX BOLT	4
18	862	5/16-18 LOCKNUT	4
19	A-176976 A-176975	9/32" GR 80 CHAIN - 73" LG for 30" CLOSER ARM (3500/4500)	2
		9/32" GR 80 CHAIN - 82-1/2" LG for 36" CLOSER ARM (3500/4500)	
		9/32" GR 80 CHAIN - 90-1/2" LG for 42" CLOSER ARM (3500/4500)	
		5/16" GR 80 CHAIN - 73" LG for 30" CLOSER ARM (5500/6500)	
		5/16" GR 80 CHAIN - 82-1/2" LG for 36" CLOSER ARM (5500/6500)	
		5/16" GR 80 CHAIN - 90-1/2" LG for 42" CLOSER ARM (5500/6500)	

* A-177776 Platform is shown in illustration. Some parts on other models may vary in size or shape, but not in function.

When ordering parts, add the appropriate letter to the end of the part number based on the finish of the part being replaced. In most cases, no letter following the part number of fabricated parts designates a painted finish.

G - Galvanized HD - Heavy-Duty Painted 5500/6500 HDG - Heavy-Duty Galvanized 5500/6500 P - Plated

4.5 + 12 Platforms with Auto Cart Stops



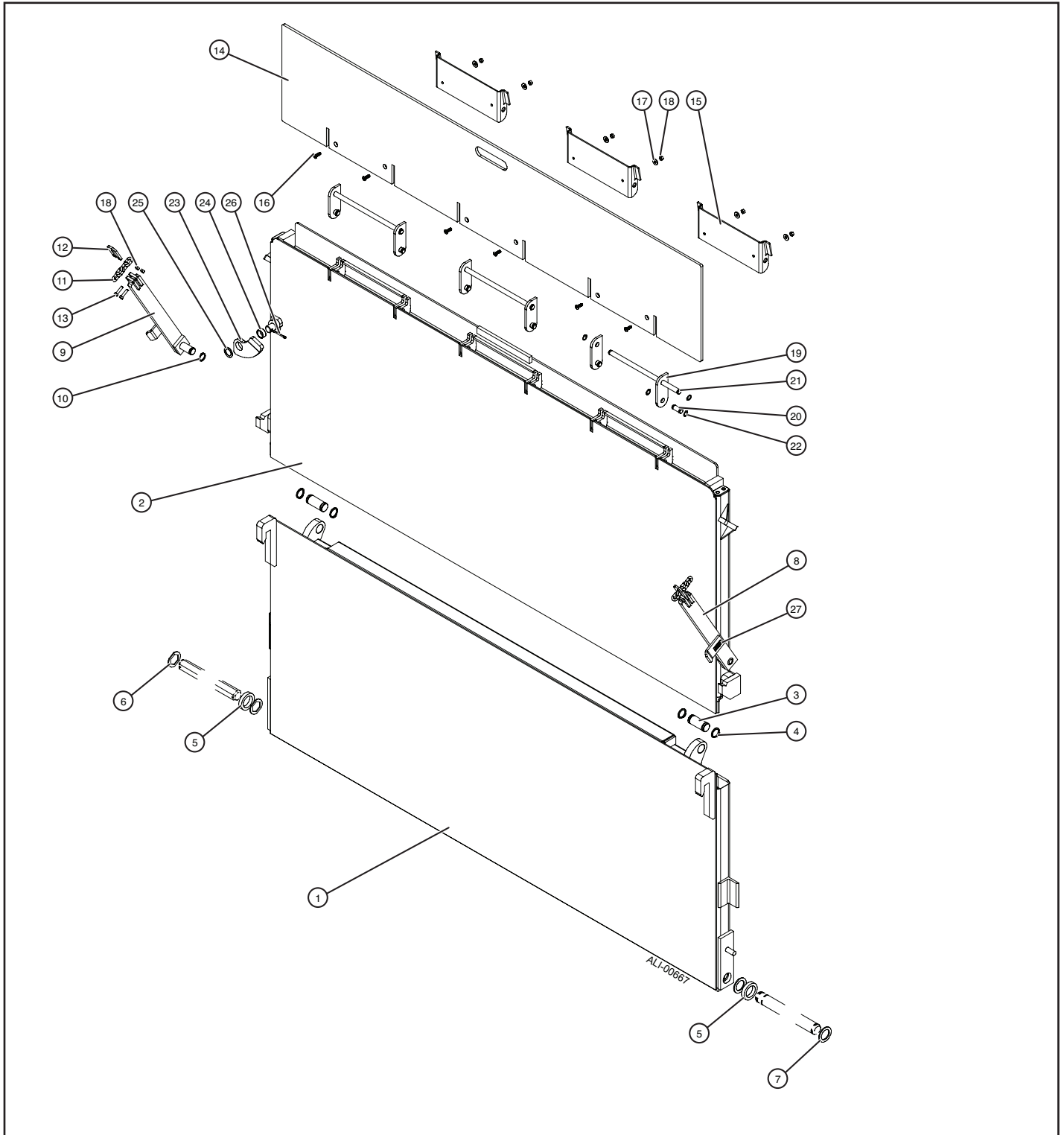
Item	Part Number	Description	Qty.
1, 2	A-177587, -G, -HD, -HDG A-177031, -G A-176774, -G	80X60+12W/AUTO CART STOPS, PLATFORM COMPL, 3500/4500 (G), 5500/6500 (HD, HDG) MAIN PLATFORM SECTION 80X36 FLIPOVER SECTION 80X36	1
	A-177591, -G, -HD, -HDG A-177029, -G A-176592, -G	80X72+12 W/AUTO CART STOPS, PLATFORM COMPL, 3500/4500 (G), 5500/6500 (HD, HDG) MAIN PLATFORM SECTION 80X42 FLIPOVER SECTION 80X42	
	A-177596*, -G, -HD, -HDG A-177032, -G A-176769, -G	86X60+12 W/AUTO CART STOPS, PLATFORM COMPL, 3500/4500 (G), 5500/6500 (HD, HDG) MAIN PLATFORM SECTION 86X36 FLIPOVER SECTION 86X36	
	A-177599, -G, -HD, -HDG A-177030, -G A-176593, -G	86X72+12 W/AUTO CART STOPS, PLATFORM COMPL, 3500/4500 (G), 5500/6500 (HD, HDG) MAIN PLATFORM SECTION 86X42 FLIPOVER SECTION 86X42	
3	A-171200	HINGE PIN	2
4	A-146840	1 1/4" EXT HD RETAINING RING	4
5	A-177639, -P	30" LH CLOSER ARM	1
	A-177637, -P	36" LH CLOSER ARM	
	A-177641, -P	42" LH CLOSER ARM	
6	A-177640, -P	30" RH CLOSER ARM	1
	A-177638, -P	36" RH CLOSER ARM	
	A-177642, -P	42" RH CLOSER ARM	
7	A-150060	1" EXT HD RETAINING RING ZP	2
8	A-176616	STOP PLATE WELDMENT	1
9	A-176571, -G	RAMP WELDMENT - RETENTION RAMP (96")	1
	A-176585-G	RAMP WELDMENT - RETENTION RAMP (102")	
10	A-176612	PIN - CART STOP RAMP (LATCH)	2
11	A-150143	PIN (ARM BAR)	1
12	A-176948	SPRING - MRT CART STOP RAMP	1
13	A-176597	PLATE, STOP BAR	1
14	874	3/8-16 X 1" H/H C/S GR.8 ZP	2
15	A-132026	1/4" X 1-1/2" LG COTTER PIN, 18-8 SS	4
16	A-176844	FLANGED BUSHING-CART RETENTION	2
17	A-177657, -P	CHAIN PLATE-CLOSER ARM	2
18	A-177623	PLATFORM SPACER BUSHING	2
19	757026	WASHER, 2 1/4" X 1 17/32" 10G ZP	2
20	A-177021	WASHER, 1.375" HEX	2
21	A-176976 A-176975	9/32" GR 80 CHAIN - 73" LG for 30" CLOSER ARM (3500/4500)	2
		9/32" GR 80 CHAIN - 82-1/2" LG for 36" CLOSER ARM (3500/4500)	
		9/32" GR 80 CHAIN - 90-1/2" LG for 42" CLOSER ARM (3500/4500)	
		5/16" GR 80 CHAIN - 73" LG for 30" CLOSER ARM (5500/6500)	
		5/16" GR 80 CHAIN - 82-1/2" LG for 36" CLOSER ARM (5500/6500)	
22	870	5/16-18 x 1.250" HEX BOLT	4
23	862	5/16-18 LOCKNUT	4

* A-177596 Platform is shown in illustration. Some parts on other models may vary in size or shape, but not in function.

When ordering parts, add the appropriate letter to the end of the part number based on the finish of the part being replaced. In most cases, no letter following the part number of fabricated parts designates a painted finish.

G - Galvanized HD - Heavy-Duty Painted 5500/6500 HDG - Heavy-Duty Galvanized 5500/6500 P - Plated

4.6 SLR Platforms



Item	Part Number	Description	Qty.
1, 2	A-177588, -G, -HD, -HDG A-177033, -G A-177369, -G	80X60+16SLR, PLATFORM COMPLETE, 3500/4500 (G), 5500/6500 (HD, HDG) MAIN PLATFORM SECTION 80X30 FLIPOVER SECTION 80X30	1
	A-177592, -G, -HD, -HDG A-177031, -G A-177371, -G	80X72+16SLR, PLATFORM COMPLETE, 3500/4500 (G), 5500/6500 (HD, HDG) MAIN PLATFORM SECTION 80X36 FLIPOVER SECTION 80X36	
	A-177594, -G, -HD, -HDG A-177029, -G A-177373, -G	80X84+16SLR, PLATFORM COMPLETE, 3500/4500 (G), 5500/6500 (HD, HDG) MAIN PLATFORM SECTION 80X42 FLIPOVER SECTION 80X42	

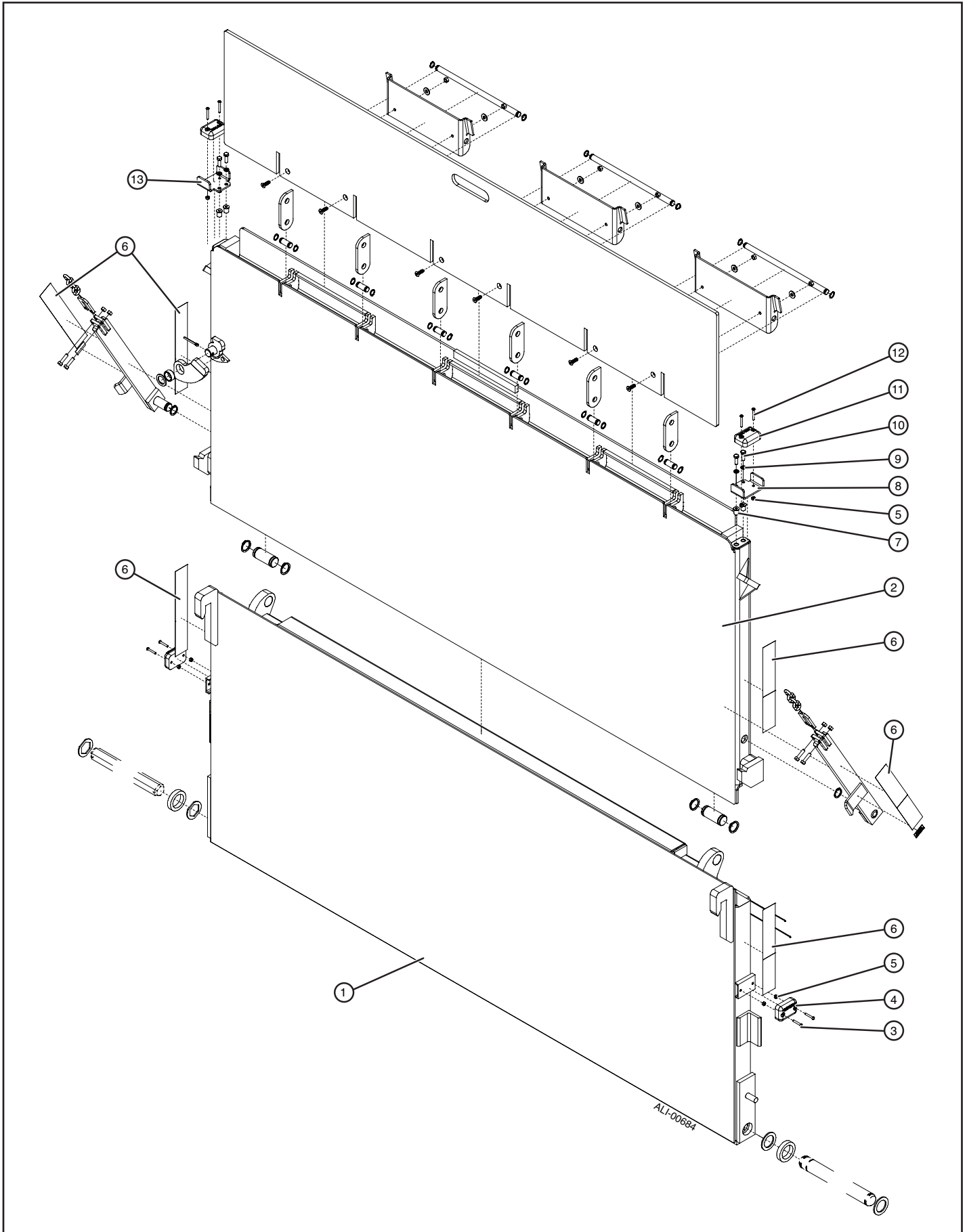
Item	Part Number	Description	Qty.
1, 2	A-177597, -G, -HD, -HDG A-177034, -G A-177370, -G	86X60+16SLR, PLATFORM COMPLETE, 3500/4500 (G), 5500/6500 (HD, HDG) MAIN PLATFORM SECTION 80X30 FLIPOVER SECTION 80X30	1
	A-177600*, -G, -HD, -HDG A-177032, -G A-177372, -G	86X72+16SLR, PLATFORM COMPLETE, 3500/4500 (G), 5500/6500 (HD, HDG) MAIN PLATFORM SECTION 86X36 FLIPOVER SECTION 86X36	
	A-177603, -G, -HD, -HDG A-177030, -G A-177374, -G	86X84+16SLR, PLATFORM COMPLETE, 3500/4500 (G), 5500/6500 (HD, HDG) MAIN PLATFORM SECTION 86X42 FLIPOVER SECTION 86X42	
	A-177714 A-177715 A-177716	86X84+16SLR BAR GRATE MAIN PLATFORM SECTION 86X42 FLIPOVER SECTION 86X42	
	SG-918-19, -G SG-918-18, -G SG-918-15, -G	86X94+16SLR, PLATFORM COMPLETE, 3500/4500 MAIN PLATFORM SECTION 86X47 FLIPOVER SECTION 86X47	
3	A-171200	HINGE PIN	2
4	A-146840	1 1/4" EXT HD RETAINING RING	4
5	A-177623	PLATFORM SPACER BUSHING	2
6	A-177021	WASHER, 1.375" HEX	2
7	757026	WASHER, 2 1/4" X 1 17/32" 10G ZP	2
8	A-177639, -P	30" LH CLOSER ARM	1
	A-177637, -P	36" LH CLOSER ARM	
	A-177641, -P	42" LH CLOSER ARM	
9	A-177640, -P	30" RH CLOSER ARM	1
	A-177638, -P	36" RH CLOSER ARM	
	A-177642, -P	42" LH CLOSER ARM	
10	A-150060	1" EXT HD RETAINING RING ZP	2
11	A-176976	9/32" GR 80 CHAIN - 73" LG for 30" CLOSER ARM (3500/4500)	2
		9/32" GR 80 CHAIN - 82-1/2" LG for 36" CLOSER ARM (3500/4500)	
		9/32" GR 80 CHAIN - 90-1/2" LG for 42" CLOSER ARM (3500/4500)	
	A-176975	5/16" GR 80 CHAIN - 73" LG for 30" CLOSER ARM (5500/6500)	
		5/16" GR 80 CHAIN - 82-1/2" LG for 36" CLOSER ARM (5500/6500)	
	5/16" GR 80 CHAIN - 90-1/2" LG for 42" CLOSER ARM (5500/6500)		
12	A-177657, -P	CHAIN PLATE-CLOSER ARM	2
13	870	5/16-18 x 1.250" HEX BOLT	4
14	SG-1067-72	ARR-SLR (80X16) 102" (ALUMINUM)	1
	A-177701	ARR-SLR (74X16) 96" (ALUMINUM)	
15	SG-1067-70	END RAMP HINGE PLATE REV2	3
16	A-132114	5/16-18 X 1" FH S/C/S 2P	6
17	2110	5/16" FW ZP	6
18	862	5/16-18 LOCKNUT	10
19	SG-1067-07	END LINK - SLR RAMPS	6
20	SG-1067-08	LINK PIN - PLATFORM SIDE	6
21	SG-1067-76	END RAMP LINK PIN - RAMP SIDE	3
22	A-150023	5/8" EXTERNAL RING YZ HEAVY DUTY	18
23	A-177498	PLATE WELDMENT - RETENTION RAMP LOCK	1
24	A-135315	PLASTIC BUSHING .5" LONG	1
25	A-144054	1.5 OD X 1.031 ID X 14GA. WASHER	1
26	AR-18-69	3/16" X 1-3/4" LG COTTER PIN ZP	1
27	A-131118	PATENT PENDING DECAL	2

* A-177600 Platform is shown in illustration. Some parts on other models may vary in size or shape, but not in function.

When ordering parts, add the appropriate letter to the end of the part number based on the finish of the part being replaced. In most cases, no letter following the part number of fabricated parts designates a painted finish.

G - Galvanized HD - Heavy-Duty Painted 5500/6500 HDG - Heavy-Duty Galvanized 5500/6500 P - Plated

4.7 SLR Hi-Vis Platforms



Refer to "4.6 SLR Platforms" on page 20 for common parts.

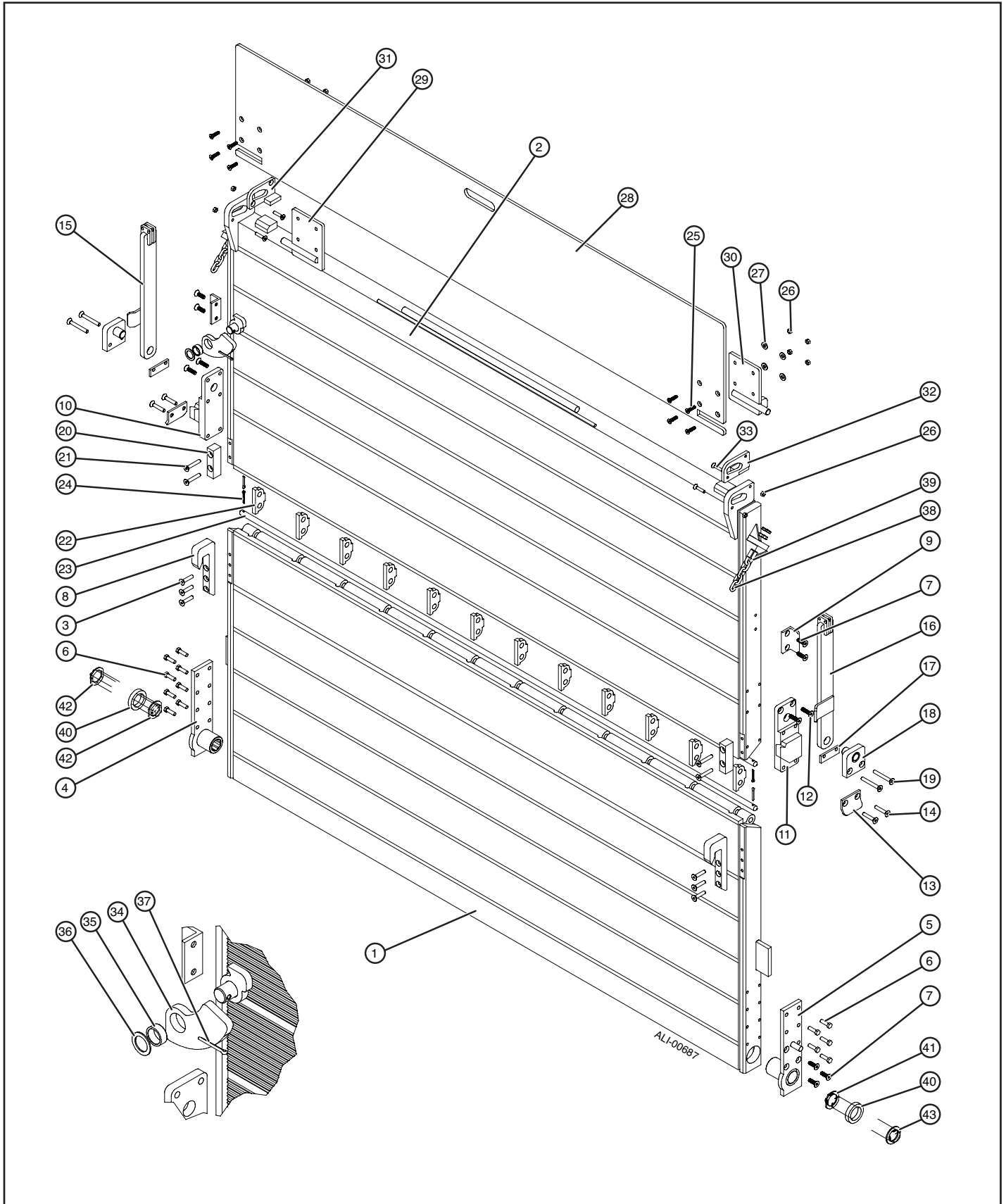
Item	Part Number	Description	Qty.
1, 2	A-177946, -G, A-177947, -G A-177372, -G	86" X 72" + 16SLR MRT P/F ASSY. HIGH VIS, 3500/4500 (G) 86 X 36 MAIN P/F W/M HIGH VIS 86" X 36" SLR FLIP W/M	1
3	5420	10-32 X 1-1/4" LG. SLOTTED RDHD M/S	4
4	A-133495	BLINKING LIGHT- SIDE MOUNT	2
5	A-132071	10-32 NYLOCK NUT 316 SS	8
6	A-131117	CONSPICUITY TAPE	6-12"
7	A-132099	5/16-18 THREADED INSERT	4
8	A-177608, -G	LH MRT BLINKING LIGHT PLATFORM BRACKET - STEEL	1
9	6611	5/16 SPLIT LOCKWASHER	4
10	6608	5/16-18 X 1" CAP SCREW	4
11	A-133413	MRT BLINKING LIGHT - END MOUNT	2
12	A-132310	10-32 X 1.5" BUTTONHEAD 18-8 SS	4
13	A-177607, -G	RH MRT BLINKING LIGHT PLATFORM BRACKET -STEEL	1

* A-177946 Platform is shown in illustration. Parts that are in the illustration without callouts are part of "4.6 SLR Platforms" on page 20. Some parts on other models may vary in size or shape, but not in function.

When ordering parts, add the appropriate letter to the end of the part number based on the finish of the part being replaced. In most cases, no letter following the part number of fabricated parts designates a painted finish.

G - Galvanized P - Plated

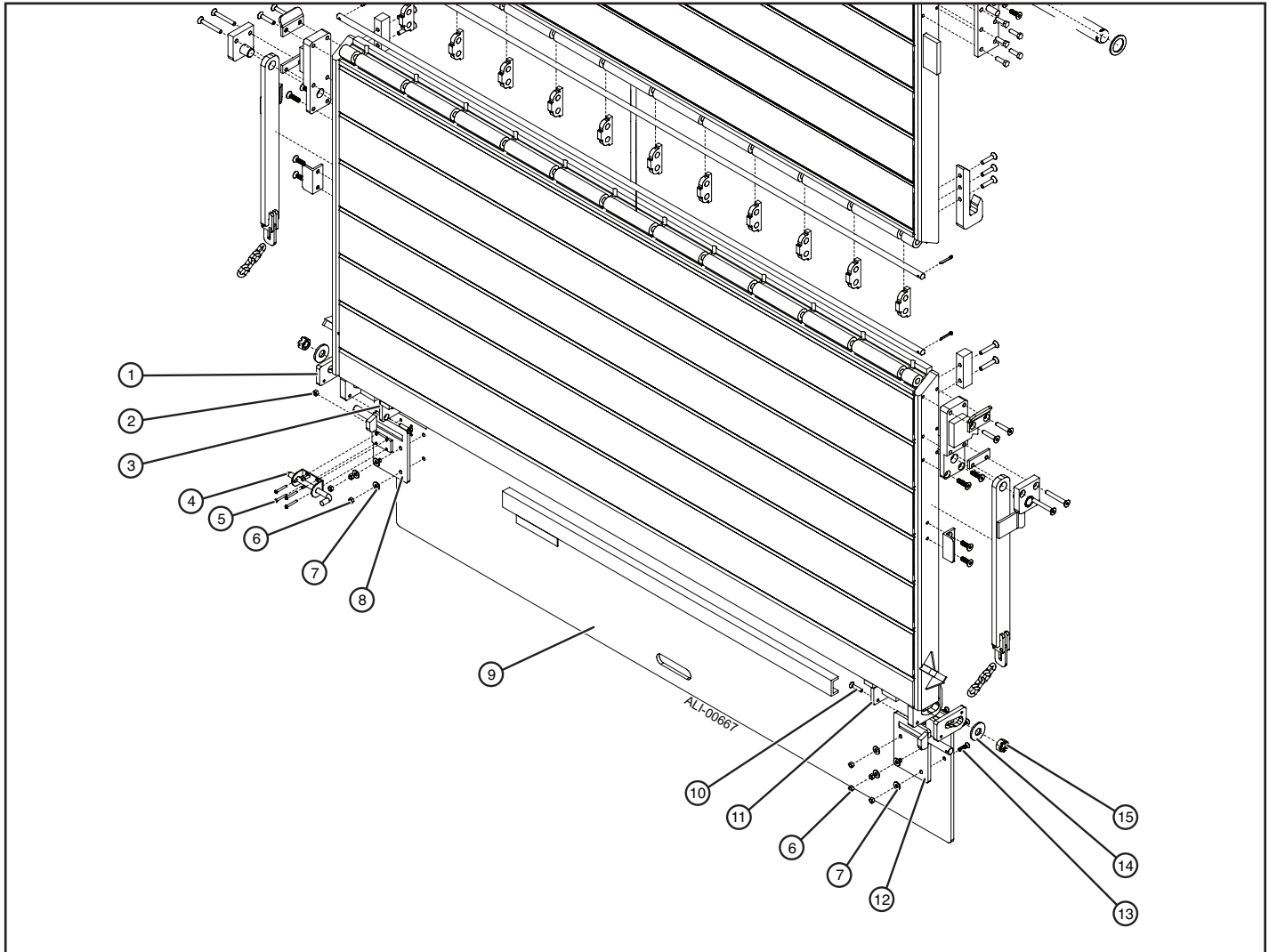
4.8 Aluminum Platform (No Latch)



Item	Part Number	Description	Qty.
1, 2	A-177865, HD A-177866 A-177867	80X60+16ARR ALUM P/F, PLATFORM COMPLETE, 3500/4500, 5500/6500 (HD) MAIN PLATFORM SECTION 80X30 FLIPOVER SECTION 80X30	1
	A-177529, HD A-177342 A-177344	80X72+16ARR ALUM, PLATFORM COMPLETE, 3500/4500, 5500/6500 (HD) MAIN PLATFORM SECTION 80X36 FLIPOVER SECTION 80X36	
	A-177527, -HD A-177316 A-177317	80X84+16ARR ALUM, PLATFORM COMPLETE, 3500/4500, 5500/6500 (HD) MAIN PLATFORM SECTION 80X42 FLIPOVER SECTION 80X42	
	A-177723, HD A-177724 A-177725	86X60+16ARR ALUM, PLATFORM COMPLETE, 3500/4500, 5500/6500 (HD) MAIN PLATFORM SECTION 86X30 FLIPOVER SECTION 86X30	
	A-177530, HD A-177341 A-177343	86X72+16ARR ALUM, PLATFORM COMPLETE, 3500/4500, 5500/6500 (HD) MAIN PLATFORM SECTION 86X36 FLIPOVER SECTION 86X36	
	A-177985 A-177986 A-177987	86X72+16ARR ALUM W/SIDEBARS , PLATFORM COMPLETE, 3500/4500 MAIN PLATFORM SECTION 86X36 FLIPOVER SECTION 86X36	
	A-177528, HD A-177314 A-177315	86X84+16ARR ALUM, PLATFORM COMPLETE, 3500/4500, 5500/6500 (HD) MAIN PLATFORM SECTION 86X42 FLIPOVER SECTION 86X42	
	A-177969, HD A-177970 A-177971	86X84+16ARR ALUM W/SIDEBARS, PLATFORM COMPLETE, 3500/4500, 5500/6500 (HD) MAIN PLATFORM SECTION 86X42 FLIPOVER SECTION 86X42	
3	A-132276	3/8-16 X 1-3/4" F/H S/C/S ZP	6
4	A-177429	HINGE PLATE WELDMENT, 1.375" ALUM MAIN, CURBSIDE	1
5	A-177219	WELDMENT - MAIN P/F HINGE PLATE (STREETSIDE)	1
6	ATU-247	3/8-16 X 1.25" HEX BOLT	13
7	A-132048	3/8-16 X 1.25" FH S/C/S	7
8	A-177521	PLATFORM DOCK LOCK HOOK (10.5" MRT)	2
9	A-177205	FOLDING ARM RETENTION ANGLE	2
10	A-177212	WELDMENT - PLATFORM LATCH BLOCK (CURBSIDE)	1
11	A-177213	WELDMENT - PLATFORM LATCH BLOCK (STREETSIDE)	1
12	A-132045	3/8-16 X 1.5" FH S/C/S	4
13	A-177210	CHAIN GUIDE CLIP	2
14	A-132277	3/8-16 X 2" F/H S/C/S ZP	4
15	A-177727	30" RH CLOSER ARM	1
	A-177215	36" RH CLOSER ARM	
	A-177653	42" RH CLOSER ARM	
16	A-177728	30" LH CLOSER ARM	1
	A-177216	36" LH CLOSER ARM	
	A-177654	42" LH CLOSER ARM	
17	A-177204	SPACER-CLOSER ARM RETAINER	2
18	A-177211	WELDMENT - CLOSER ARM RETAINER	2
19	A-132279	3/8-16 X 3" F/H S/C/S ZP	4
20	A-177202	PLATFORM HINGE STOP BLOCK	2
21	A-132278	3/8-16 X 2-1/4" F/H S/C/S ZP	4
22	A-177200	PLATFORM HINGE LINK	10-12
23	A-177321	HINGE PIN - 102" GATE	2
	A-177320	HINGE PIN - 96" GATE	
24	A-132068	3/16" X 1-1/4" LG COTTER PIN ZP	4
25	AR-18-66	5/16-18 X 1-1/4" NC F/H S/C/S ZP	8
26	862	5/16-18 LOCKNUT	12

Item	Part Number	Description	Qty.
27	2110	5/16" FW ZP	8
28	A-177666	ARR (81X16) W/M FOR 102"X10.5" MRT	1
	A-177502	ARR (75X16) W/M FOR 96"X10.5" MRT	
29	A-177480	10.5" MRT HINGE W/M -RH	1
30	A-177481	10.5" MRT HINGE W/M -LH	1
31	A-177492	HINGE PLATE REINF. W/M -RH	1
32	A-177493	HINGE PLATE REINF. W/M -LH	1
33	A-132312	5/16-18 x 1.5" FH S/C/S	4
34	A-177498	PLATE WELDMENT - RETENTION RAMP LOCK	1
35	A-135315	PLASTIC BUSHING .5" LONG	1
36	A-144054	1.5 OD X 1.031 ID X 14GA. WASHER	1
37	AR-18-69	3/16" X 1-3/4" LG COTTER PIN ZP	1
38	A-176976	9/32" GR 80 CHAIN - 73" LG for 30" CLOSER ARM (3500/4500)	2
		9/32" GR 80 CHAIN - 82-1/2" LG for 36" CLOSER ARM (3500/4500)	
		9/32" GR 80 CHAIN - 90-1/2" LG for 42" CLOSER ARM (3500/4500)	
	A-176975	5/16" GR 80 CHAIN - 73" LG for 30" CLOSER ARM (5500/6500)	
		5/16" GR 80 CHAIN - 82-1/2" LG for 36" CLOSER ARM (5500/6500)	
		5/16" GR 80 CHAIN - 90-1/2" LG for 42" CLOSER ARM (5500/6500)	
39	A-132368	U-BOLT KIT (PLATFORM END)	2
	A-132296	U-BOLT KIT (RUNNER END)	
40	A-177623	PLATFORM SPACER BUSHING	2
41	A-177632	WASHER, MRT PLATFORM PIN, ALUM, LH	1
42	A-177021	WASHER, 1.375" HEX	2
43	757026	WASHER, 2 1/4" X 1 17/32" 10G ZP	1

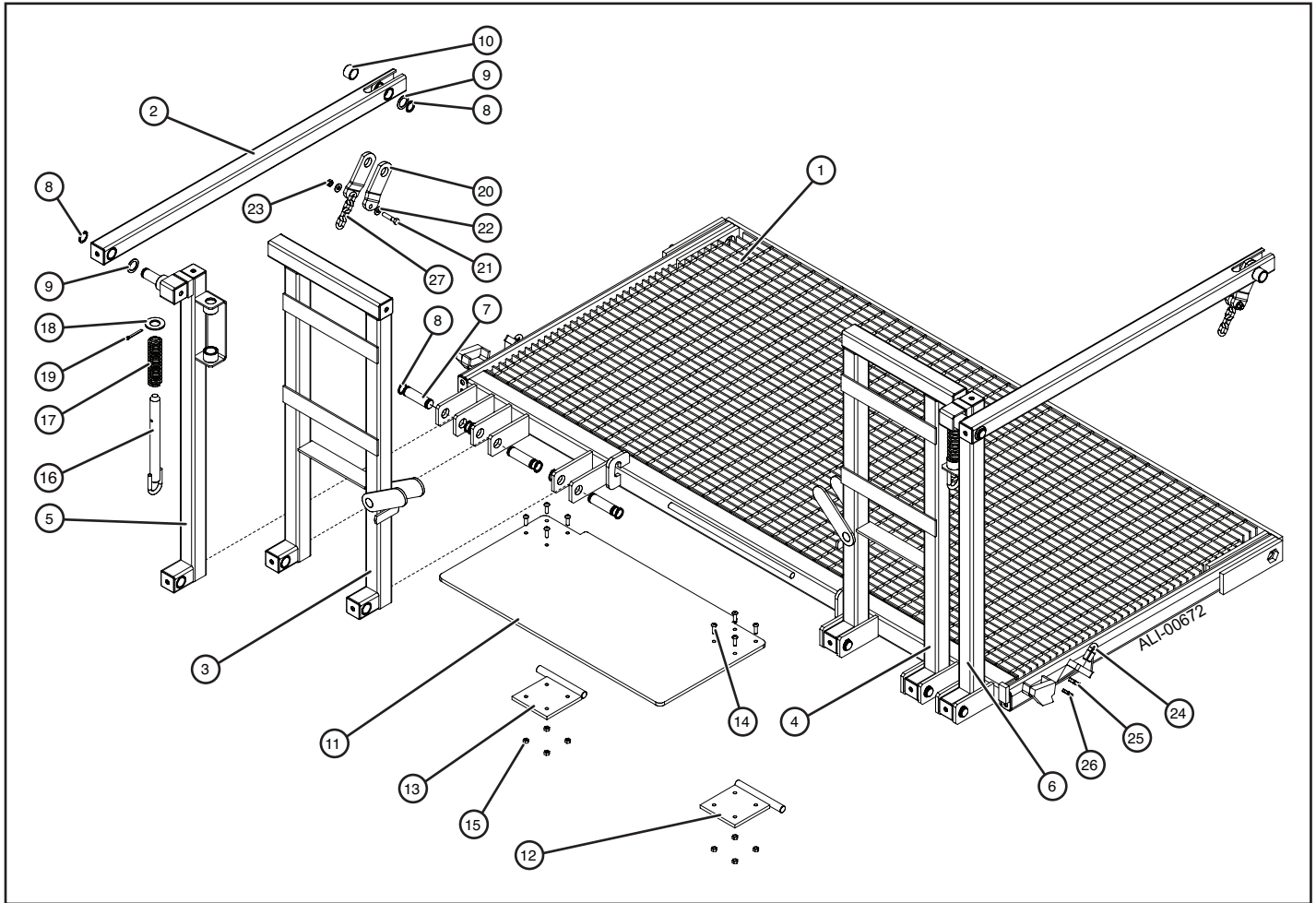
4.9 Aluminum Platform (With Latch)



Refer to "4.8 Aluminum Platform (No Latch)" on page 24 for common parts.

Item	Part Number	Description	Qty.
	A-177754, HD A-177314 A-177315	86X84+16ARR ALUM W/LATCH, PLATFORM COMPLETE, 3500/4500, 5500/6500 (HD) MAIN PLATFORM SECTION 86X42 FLIPOVER SECTION 86X42	
1	A-177758	OUTER HINGE PLATE REINFORCEMENT-THREADED	2
2	A-132071	10-32 NYLOCK NUT 316SS	4
3	A-177788	HINGE PLATE REINF. W/M-RH W/LATCH	1
4	A-177753	LATCH ASSEMBLY, SNAP LOCK, 1/2" PIN, SPRING, 1-1/2" X 3" MOUNTING PLATE, ZNC	1
5	A-132310	10-32 X 1.5" BUTTONHEAD 18-8SS	4
6	862	5/16-18 LOCKNUT	7
7	2110	5/16" FW ZP	7
8	A-177785	10.5" MRT THREADED HINGE W/M -RH W/LATCH	1
9	A-177752	RETENTION RAMP WELDMENT: 102" LATCHING	1
10	A-132312	5/16-18 x 1.5" FH S/C/S	4
11	A-177787	HINGE PLATE REINF. W/M -LH	1
12	A-177784	10.5" MRT THREADED HINGE W/M -LH	1
13	AR-18-66	5/16-18 X 1-1/4" NC F/H S/C/S ZP	7
14	A-132335	FLAT WASHER: .812"ID X 2"OD	2
15	A-132093	3/4-10 SLOTTED NUT ZP	2
—	A-177755	ARR HOLD-OPEN LATCH KIT; ALUM MRT (RETROFITS ANY ALUM MRT ARR)	1

4.10 Gas Bottle Platform



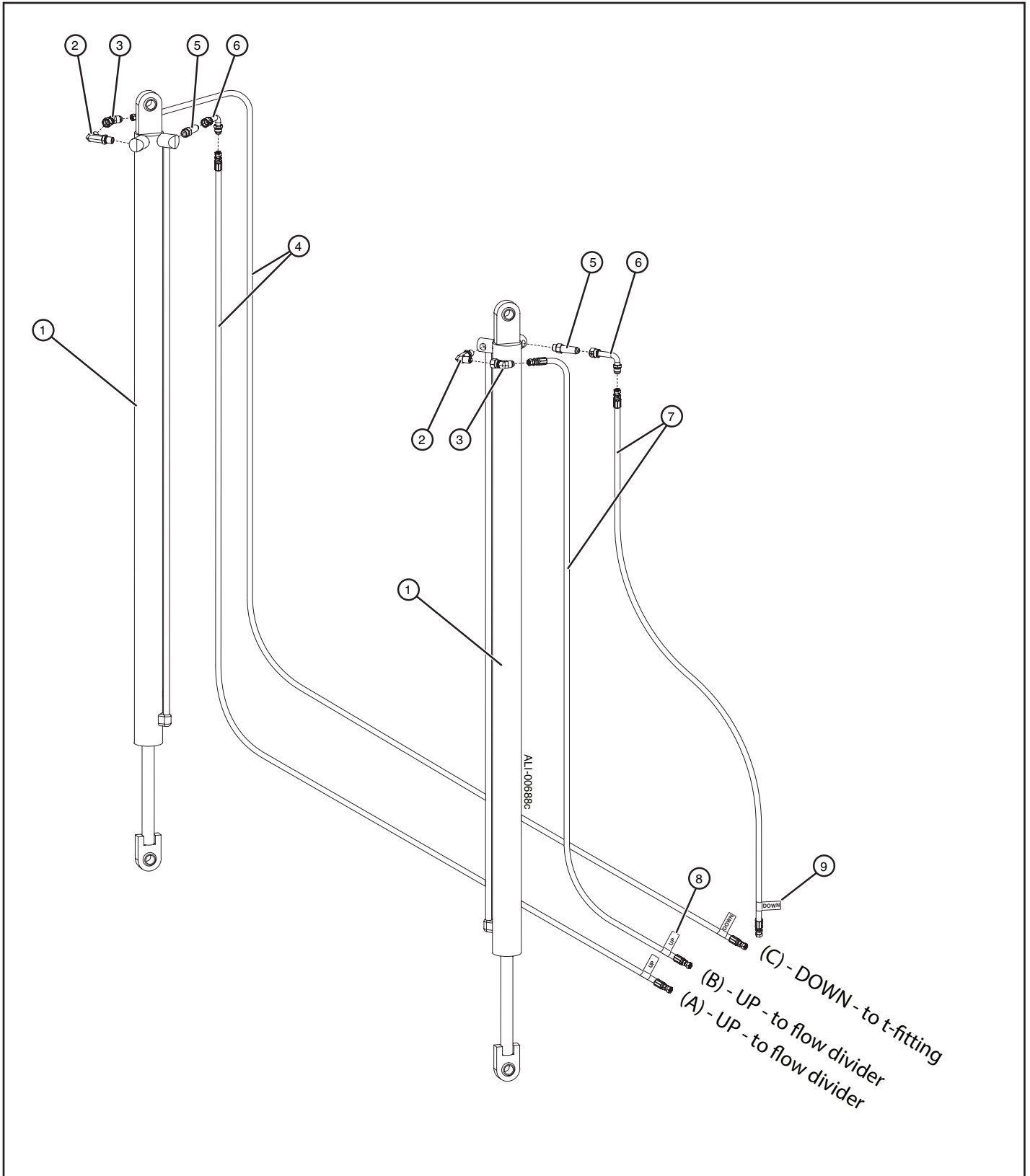
Item	Part Number	Description	Qty.
1	A-177035, -G A-177036, -G	P/F W/M 96" MRT GB P/F W/M 102" MRT GB	1
2	A-176720	HORIZONTAL FENCE TUBE W/M: MRT-GB	2
3	A-171234	FOLD DOWN RACK W/M - LH	1
4	A-171233	FOLD DOWN RACK W/M - RH	1
5	A-171225	VERTICAL FENCE TUBE WELDMENT - LH	1
6	A-171224	VERTICAL FENCE TUBE W/M - RH	1
7	A-146834	LIFT FRAME PIN/GB RACK PIN	6
8	A-150060	1" EXT HD RETAINING RING ZP	16
9	A-144054	1.5 OD X 1.031 ID X 14GA. WASHER	5
10	A-171594	SPACER: MRT-GB	2
11	A-177352 A-177353	ARR (32X16.25 U/M) FOR 96" MRT GB ARR (38X16.25 U/M) FOR 102" MRT GB	1
12	A-177354	GB UNDERMOUNT HINGE W/M - RH	1
13	A-177355	GB UNDERMOUNT HINGE W/M - LH	1
14	A-132282	5/16-18 x 1" BUTTONHEAD CAPSCREW 316-SS	8
15	862	5/16-18 LOCKNUT	8
16	A-171223	LATCH PIN W/M: MRT-GB	2
17	A-171220	SPRING, COMPRESSION - GAS BOTTLE	2
18	A-171219	1" SAE FLAT STEEL WASHER ZP	2
19	AR-18-69	3/16" X 1-3/4" LG COTTER PIN ZP	2
20	A-176996	SHACKLE - FORMED	4

Item	Part Number	Description	Qty.
21	2019	3/8"-16 X 1-3/4" H/H C/S GR8 YZP	2
22	2110	5/16" FW ZP	4
23	2064	3/8-16 REVERSIBLE HEX L/N ZP	2
24	A-132352	U-BOLT 3/8-16 X 1.625 SS	2
25	A-132287	3/8"-16 18-8 STAINLESS STEEL FINISHED HEX NUT	4
26	A-132367	3/8-16 18-8 SS JAM NYLOCK NUT	4
27	A-176976	9/32" GR. 80 CHAIN - 41.5" LG.	2

5. Hydraulic System

5.1 Power Down

5.1.1 Power Down Hydraulic Cylinder and Hydraulic Hoses

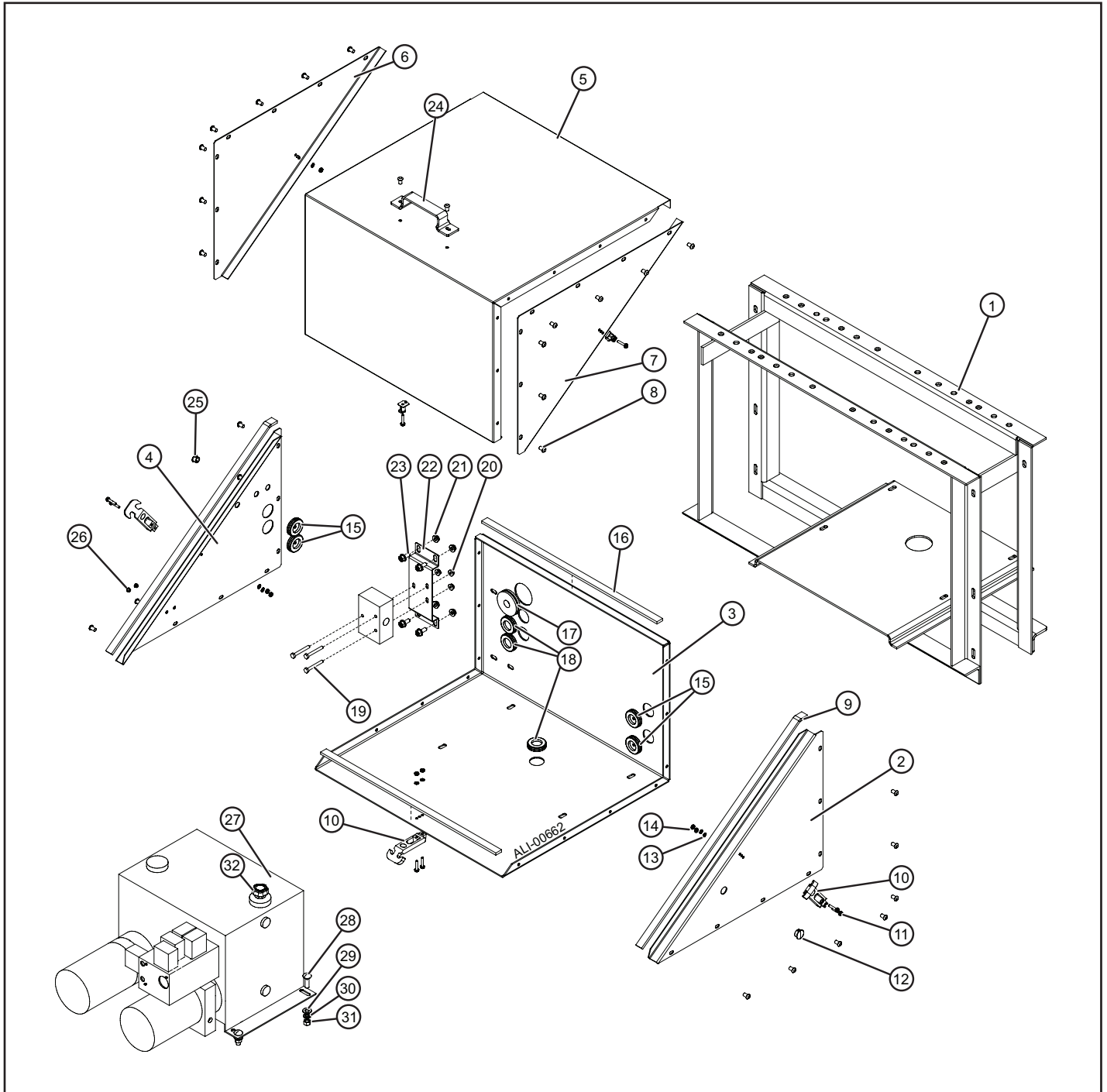


Item	Part Number	Description	Qty.
1	A-130181	UP/DOWN CYLINDER	2
2	A-130197	FITTING: 06MORB-06MJ, 90 DEGREE EXTRA-LONG	2
3	A-130316	FITTING, 06MJ-06FJX, 45 DEG ELBOW	2
4	A-130221	HOSE, 3/8" X 240", 06FJX-06FJX	2
5	A-130315	FITTING, 06MORB-06MJ, LONG STRAIGHT	2
6	A-130320	FITTING, 06MJ-06FJS, BENT TUBE, 90 DEGREE ELBOW LONG	2
7	A-130196	HOSE, 3/8" X 144", 06FJX-06FJX	2
8	A-131140	UP DECAL	2
9	A-131141	DOWN DECAL	2

5.1.2 Extension Kit, Hose and Wiring

Part Number	Description	Qty.
A-176919	EXTENSION KIT FOR 10' POWER DOWN	1
A-177621	EXTENSION KIT FOR 20' POWER DOWN	
A-177710	EXTENSION KIT FOR 30' POWER DOWN	
A-130222	HOSE, 3/8" X 120", 6FJX-6FJX	4
A-130221	HOSE, 3/8" X 240", 6FJX-6FJX	4
—	HOSE, 3/8" X 360" (USE 1 A-130222 & 1 A-130221)	4 EACH
A-150999	CABLE TIE, 15" UV BLACK (10 PER PACKAGE)	1
A-130236	HOSE, 1/4" X 120", 6FJX-6FJX	1
A-130179	HOSE, 1/4" X 240", 6FJS-6FJS	1
—	HOSE, 1/4" X 360" (USE 1 A-130236 & 1 A-130179)	1 EACH
A-133213	EXTENSION, SIX CONDUCTOR, 10' LONG	1
A-133419	EXTENSION, SIX CONDUCTOR, 20' LONG	
A-133473	EXTENSION, SIX CONDUCTOR, 30' LONG	
A-133214	EXTENSION, FOUR CONDUCTOR, 10' LONG	1
A-133420	EXTENSION, FOUR CONDUCTOR, 20' LONG	
A-133477	EXTENSION, FOUR CONDUCTOR, 30' LONG	
A-130187	FITTING, STRAIGHT, 06MJ-06MJ 10' & 20' 30'	— 5 10
A-176765	HOSE TRAY CHANNEL - 56.5" LONG 10' 20' 30'	— 2 4 6
A-131140	HOSE DECAL: UP	4
A-131142	MRT HOSE DECAL: OPEN/CLOSE	2
A-131141	HOSE DECAL: DOWN	4

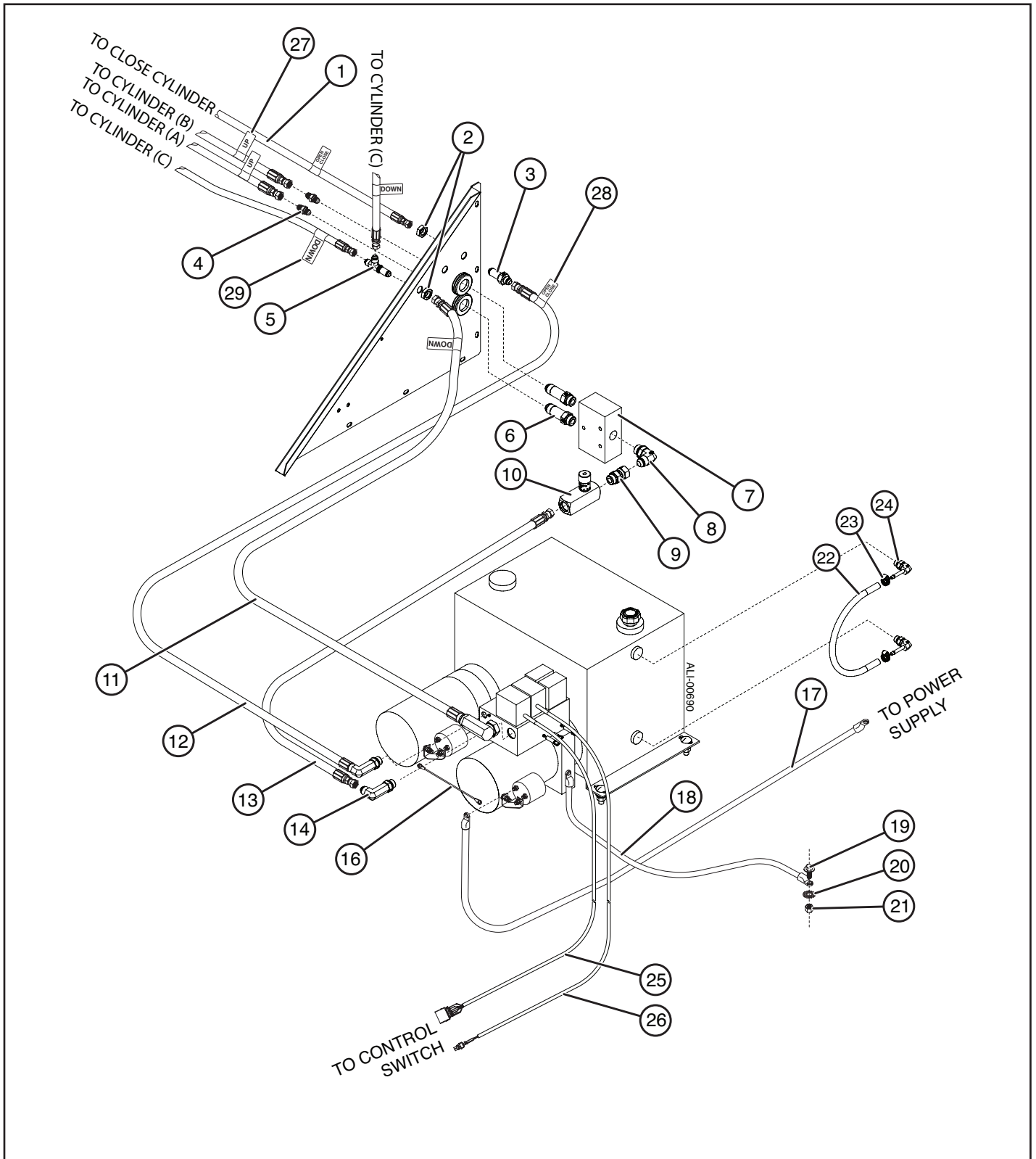
5.1.3 Power Down Power Pack and Pump Box



Item	Part Number	Description	Qty.
1	A-177667-G	MRT PUMP BOX CARRIER FRAME W/M	1
2	A-177678	MRT PUMP BOX RH SIDE	1
3	A-177677	MRT PUMP BOX FLOOR	1
4	A-177733	MRT PUMP BOX LH SIDE-MONARCH/DELTA	1
5	A-177673	MRT PUMP BOX COVER	1
6	A-177675	MRT PUMP BOX COVER LH SIDE	1
7	A-177674	MRT PUMP BOX COVER RH SIDE	1
8	A-132084	1/4" STRUCTURAL RIVET, .560" LG, SS	30
9	A-132200	WEATHERSTRIP-SIDES 27"	2
10	A-132128	DRAW LATCH W/BASE & RUBBER HANDLE	3
11	A-132327	10-32 X 1" LG. S/M/S WASHER HEAD	9

Item	Part Number	Description	Qty.
12	A-133468	3/4" RIGID PLASTIC LOCKING PLUG (IF NO CUT-OFF SWITCH)	1
13	A-132080	#10 EXTERNAL TOOTH LOCK WASHER	9
14	3514	10-32 M/S NUT ZP	9
15	ATU-137	GROMMET WITH HOLE FOR 1.375" HOLE	4
16	A-132200	WEATHERSTRIP-HORIZONTAL 23"	2
17	A-176812	GROMMET, 3/4"ID X 2.25"OD SLICED	1
18	ATU-229	GROMMET FOR 1.375" HOLE	3
19	ATU-358	1/4"-20 x 2.0" H/C/S ZP	3
20	2029	1/4-20 FLANGED L/N ZP	3
21	2114	5/16-18 SERRATED FLANGED L/N ZP	4
22	A-177738	MOUNTING PLATE-MONARCH&DELTA FLOW DIVIDERS	1
23	2145	5/16-18 X 3/4" FLANGE BOLT, GR.8.2 ZP	4
24	A-140268	GRAB HANDLE-BATTERY BOX COVER	1
25	A-132319	PUSH-IN ROUND PLASTIC PLUG - 9/16"	1
26	A-132328	RIGID PLASTIC PLUG 0.281 HOLE (IF NO CYCLE COUNTER)	2
27	A-130202	POWER PACK-MRT PD DUAL PUMP -6 PORTS	1
28	A-132302	3/8-16 X 1.25" CARRIAGE BOLT SS	4
29	A-132305	3/8 FLAT WASHER SS	4
30	A-132306	3/8 SPLIT LOCKWASHER SS	4
31	A-132287	3/8"-16 18-8 STAINLESS STEEL FINISHED HEX NUT	4
32	A-130033	BREATHER/FILLER CAP	1
—	A-131085	DECAL - SECURE LID	—

5.1.4 Power Down Wiring, Hoses and Fittings

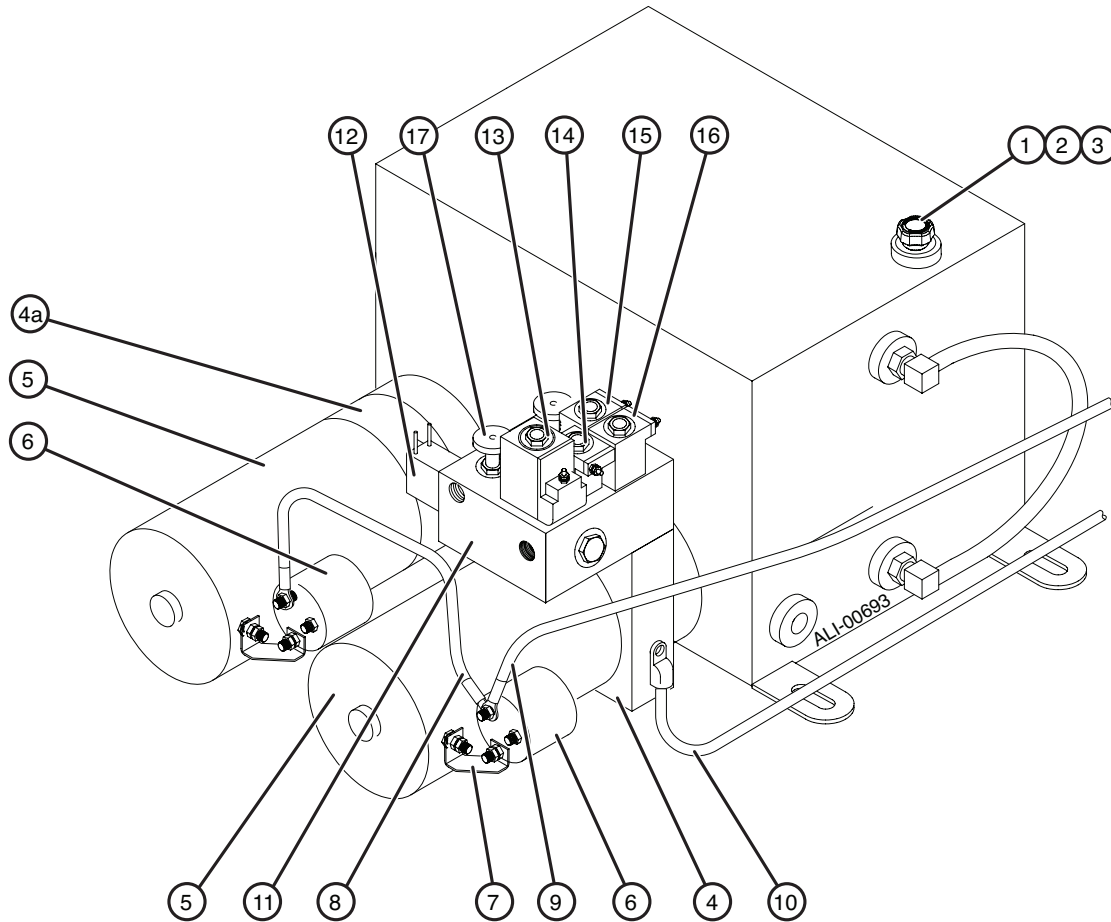


Wiring Diagrams	
Part No.	Description
A-136029	POWER DOWN WIRING DIAGRAM

1	A-130188	HOSE, 1/4" X 144", 6FJX-6FJX	1
2	A-130158	FITTING, -06 BULKHEAD NUT	2
3	A-130157	FITTING, 06MJ-06MJ BULKHEAD ADAPTER	1
4	A-130268	FITTING, 08FJ-06MJ STRAIGHT REDUCER	2
5	A-130414	FITTING, 06MJ-06MJ-06MJ BULKHEAD RUN TEE	1
6	A-130378	FITTING, 08MJ-08MORB STRAIGHT LONG	2
7	A-177863	DELTA FLOW DIVIDER SAE THREADS	1
8	A-130409	FITTING, 06MJ-08MORBS 90DEG ELBOW FORGED	1
9	A-130189	FITTING, 06MORB-06FJS STRAIGHT	1
10	A-130184	ADJUSTABLE FLOW CONTROL VALVE #6 PORT	1
11	A-130206	HOSE, 1/2" X 26.75, 6FJX-8MBX90 DEGREE	1
12	A-130248	HOSE, 1/4" X 29", 6FJX-6MBX90 DEGREE	1
13	A-130247	HOSE, 3/8" X 24", 6FJX-6MBX	1
14	A-130197	FITTING, 06MORB-06MJ 90DEG X-LONG	2
15	—	—	—
16	A-133152	RED CABLE 20" (FROM SOLENOID TO SOLENOID)	1
17	A133479	BATTERY CABLE, RED, 96" LONG	1
18	A-133333	GROUND CABLE, BLACK, 96" LONG	1
	A-133575	BATTERY/GROUND CABLE, STRAIGHT TRUCK (REPLACES A-133479/A-133333)	OPT.
19	2145	BOLT, 5/16-18 NC X 1" LONG, WHIZ-LOCK™	1
20	2054	LOCKWASHER, 5/16" (HELICAL)	1
21	2114	NUT, HEX, 5/16-18 NC WHIZ-LOCK™ (SERRATED FLANGE LOCK)	1
22	A-130083	PUMP BOX LEVEL VIEW-TUBE	1
23	A-170260	7/32-5/8 SS HOSE CLAMP	2
24	A-130031	FITTING: 04HB-06MAORB 90 DEG ELB FORGED	2
25	A-133531	CABLE, COLUMN CONTROL	
26	A-133547	CABLE, RUNNER CONTROL	
27	A-131140	HOSE "UP" DECAL	—
28	A-131142	HOSE "OPEN/CLOSE" DECAL	—
29	A-131141	HOSE "DOWN" DECAL	2
—	A-131030	PLATFORM OPEN/CLOSE SPEED ADJUSTMENT" DECAL	—

5.1.5 Power Down Power Pack

*Not shown in image - A-130156 - Internal Hydraulic Pump - QTY 2

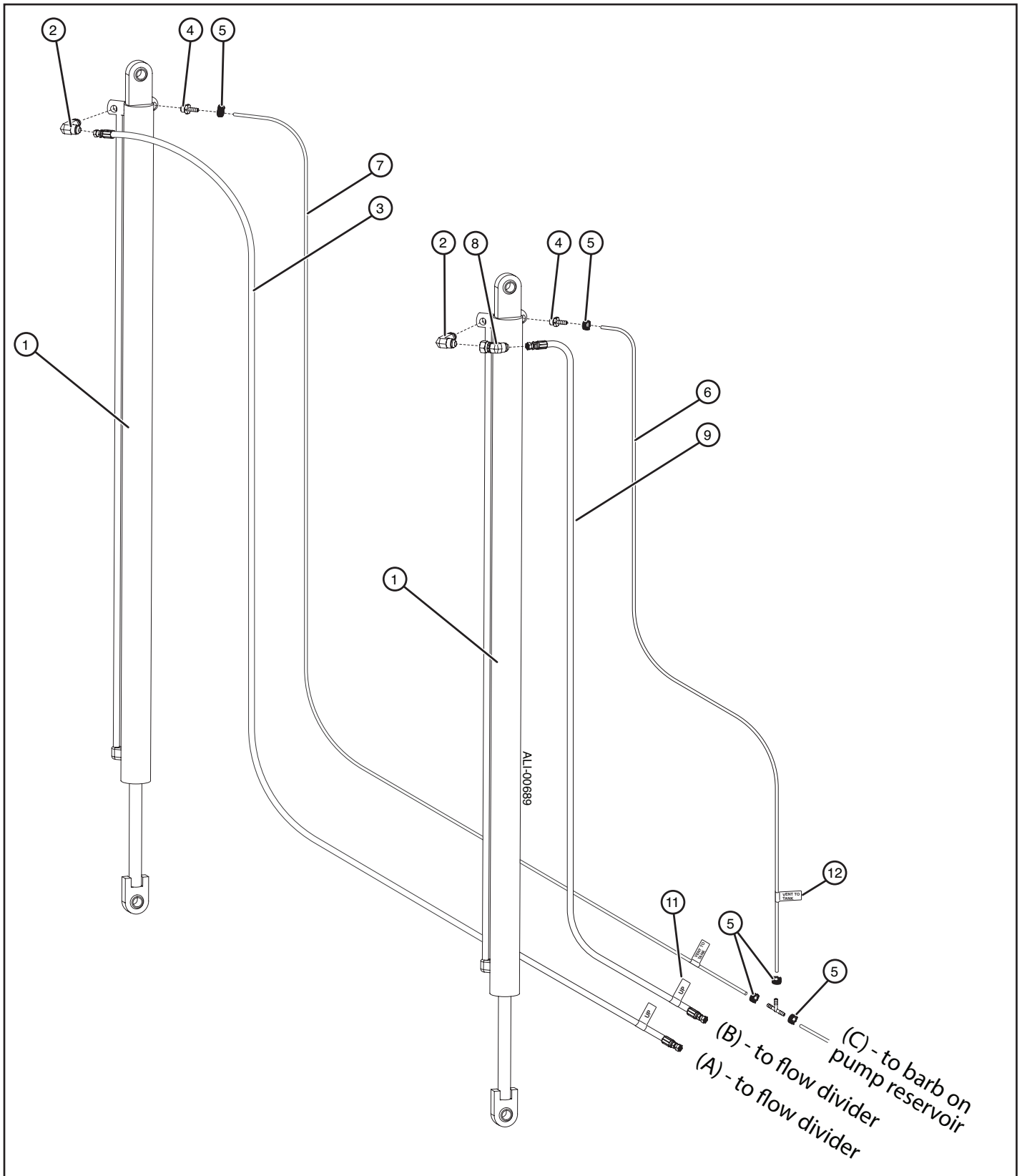


Item	Part Number	Description	Qty.
1	A-130033	RESERVOIR FILLER/VENT CAP	1
2	A-130039	RESERVOIR (DUAL PUMP)	1
3	A-150016	PUMP FILTER REPLACEMENT	2
4	A-176679	ALUMINUM MANIFOLD (SQUARE)	1
4a	A-130373	ALUMINUM MANIFOLD (ROUND)	1
5	A-150018	12 VDC MOTOR - UNIT ITEM (UNIT REPLACEMENT ONLY)	2
6	ATU-120	SOLENOID RELAY, 12 VDC MOTOR RUN	2
7	—	CONDUCTING STRAP (PART OF ATU-120)	
8	A-133152	RED CABLE 20" - SOLENOID TO SOLENOID	1
9	A-133479	RED CABLE 96" -TO RH SOLENOID, OTHER END OUT OF BOX	1
10	A-133333	BLACK CABLE 96" - TO PUMP GROUND, OTHER END OUT OF BOX	1
11	A-176682	VALVE ASSEMBLY (BLOCK)	1
12	—	CARTRIDGE VALVE / COIL (CALL FOR INFORMATION)	—
13	—	RAISE CARTRIDGE VALVE / COIL (CALL FOR INFORMATION)	—
14	—	LOWER RAISE CARTRIDGE VALVE / COIL (CALL FOR INFORMATION)	—
15	—	OPEN RAISE CARTRIDGE VALVE / COIL (CALL FOR INFORMATION)	—
16	—	CLOSE RAISE CARTRIDGE VALVE / COIL (CALL FOR INFORMATION)	—
17	A-130289	NEEDLE VALVE (ADJUSTABLE) - OPEN AND/OR CLOSE ADJUSTMENT	1

NOTES

5.2 Gravity Down Models

5.2.1 Gravity Down Hydraulic Cylinder and Hydraulic Hoses

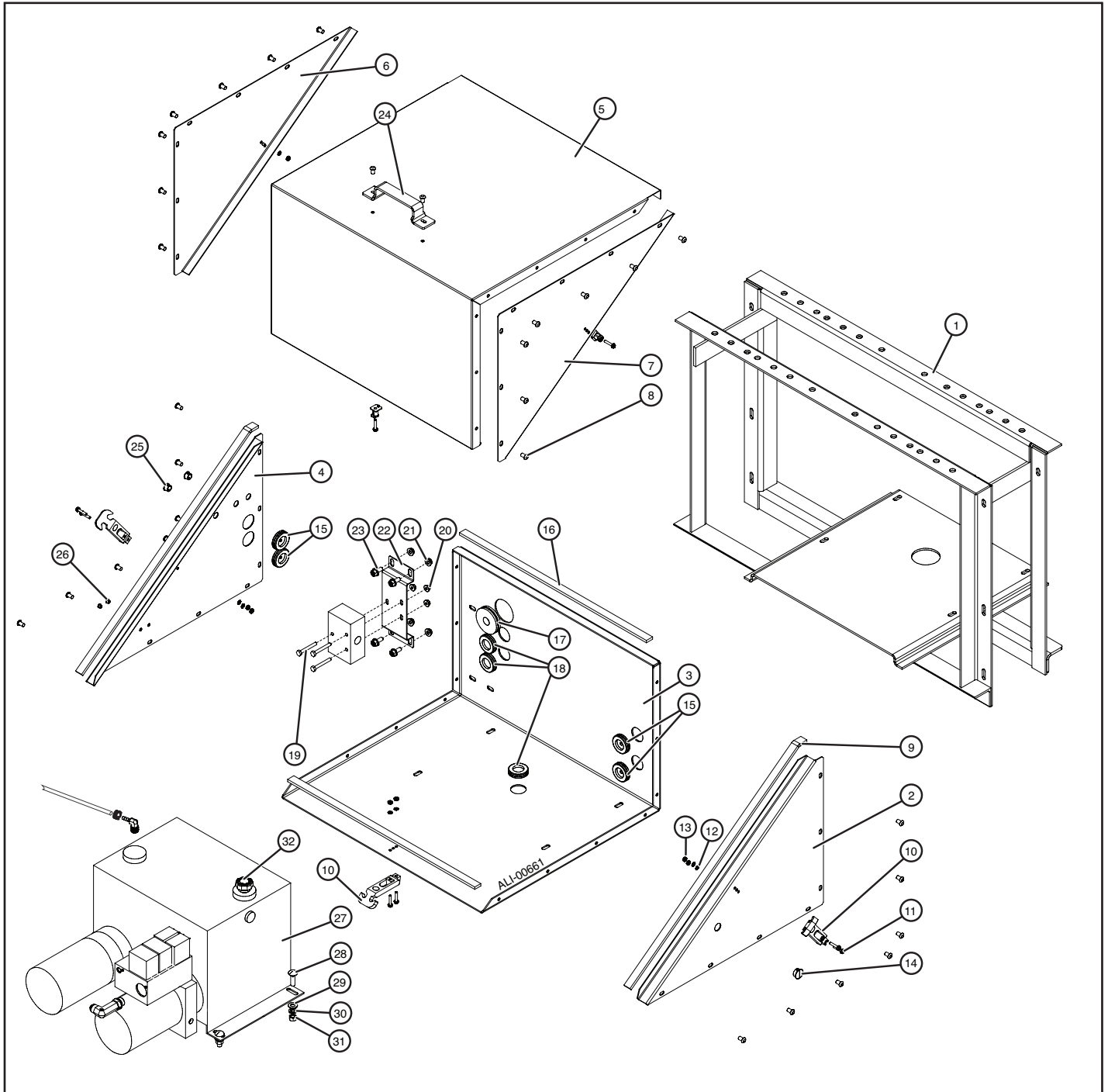


Item	Part Number	Description	Qty.
1	A-130181	UP/DOWN CYLINDER	2
2	A-130293	FITTING, 90 DEGREE, 08MJ-06MORB	2
3	A-130250	HOSE, 1/2" X 240", 8FJX-8FJX	1
4	A-130329	FITTING, HOSE BARB, 06MORB TO 1/4" HOSE	2
5	A-170260	HOSE CLAMP (STAINLESS STEEL), 1/4" TO 5/8"	5
6	A-130171	HOSE, VENT, 12'	1
7	A-130170	HOSE, VENT, 20'	1
8	A-130312	FITTING, 45 DEGREE, 08MJ-08FJS	1
9	A-130251	HOSE, 1/2" X 144", 8FJX-8FJX	1
10	A-130015	T-FITTING, HOSE BARB	1
11	A-131140	HOSE "UP" DECAL	2
12	A-131143	HOSE "VENT TO TANK" DECAL	2

5.2.2 Extension Kit, Hose and Wiring

Item	Part Number	Description	Qty.
—	A-177093 A-177617 A-177617-T A-177709	EXTENSION KIT FOR 10' GRAVITY DOWN EXTENSION KIT FOR 20' GRAVITY DOWN EXTENSION KIT FOR 20' GRAVITY DOWN (TRIP) EXTENSION KIT FOR 30' GRAVITY DOWN	
1	A-130261 A-130250 —	HOSE, 1/2" X 120", 8FJX-8FJX HOSE, 1/2" X 240", 8FJX-8FJX HOSE FOR 30' (USE 1 A-130261 & 1 A-130250)	2 2 2 EACH
2	A-130258	FITTING, STRAIGHT, 08MJ-08MJ	2
3	A-130236 A-130179 —	HOSE, 1/4" X 120", 6FJX-6FJX HOSE, 1/4" X 240", 6FJS-6FJS HOSE FOR 30' (USE 1 A-130236 AND 1 A-130179)	1 1 1 EACH
4	A-130083	HOSE, WIRE REINFORCED, VENT, 1/4" ID X .5" OD X 120" HOSE, WIRE REINFORCED, VENT, 1/4" ID X .5" OD X 240" HOSE, WIRE REINFORCED, VENT, 1/4" ID X .5" OD X 360"	1
5	A-170260	HOSE CLAMP, 1/4" MIN. - 5/8" MAX. STAINLESS STEEL	2
6	A-150999	CABLE TIE, 15" UV BLACK (10 PER PACKAGE)	1
7	A-133213 A-133419 A-133473	EXTENSION, SIX CONDUCTOR, 10' LONG EXTENSION, SIX CONDUCTOR, 20' LONG EXTENSION, SIX CONDUCTOR, 30' LONG	1
8	A-133214 A-133420 A-133477	EXTENSION, FOUR CONDUCTOR, 10' LONG EXTENSION, FOUR CONDUCTOR, 20' LONG EXTENSION, FOUR CONDUCTOR, 10' LONG	1
9	A-130187	FITTING, STRAIGHT, 06MJ-06MJ 10' & 20' 30'	— 1 2
10	A-176765	HOSE TRAY CHANNEL - 56.5" LONG 10' 20' 30'	— 2 4 6
11	A-131140	HOSE DECAL: UP	4
12	A-131142	MRT HOSE DECAL: OPEN/CLOSE	2
13	A-131143	HOSE DECAL: VENT TO TANK	1
14	A-133528	TRIP SWITCH EXTENSION HARNESS 20' (ONLY IN A-177617-T)	1

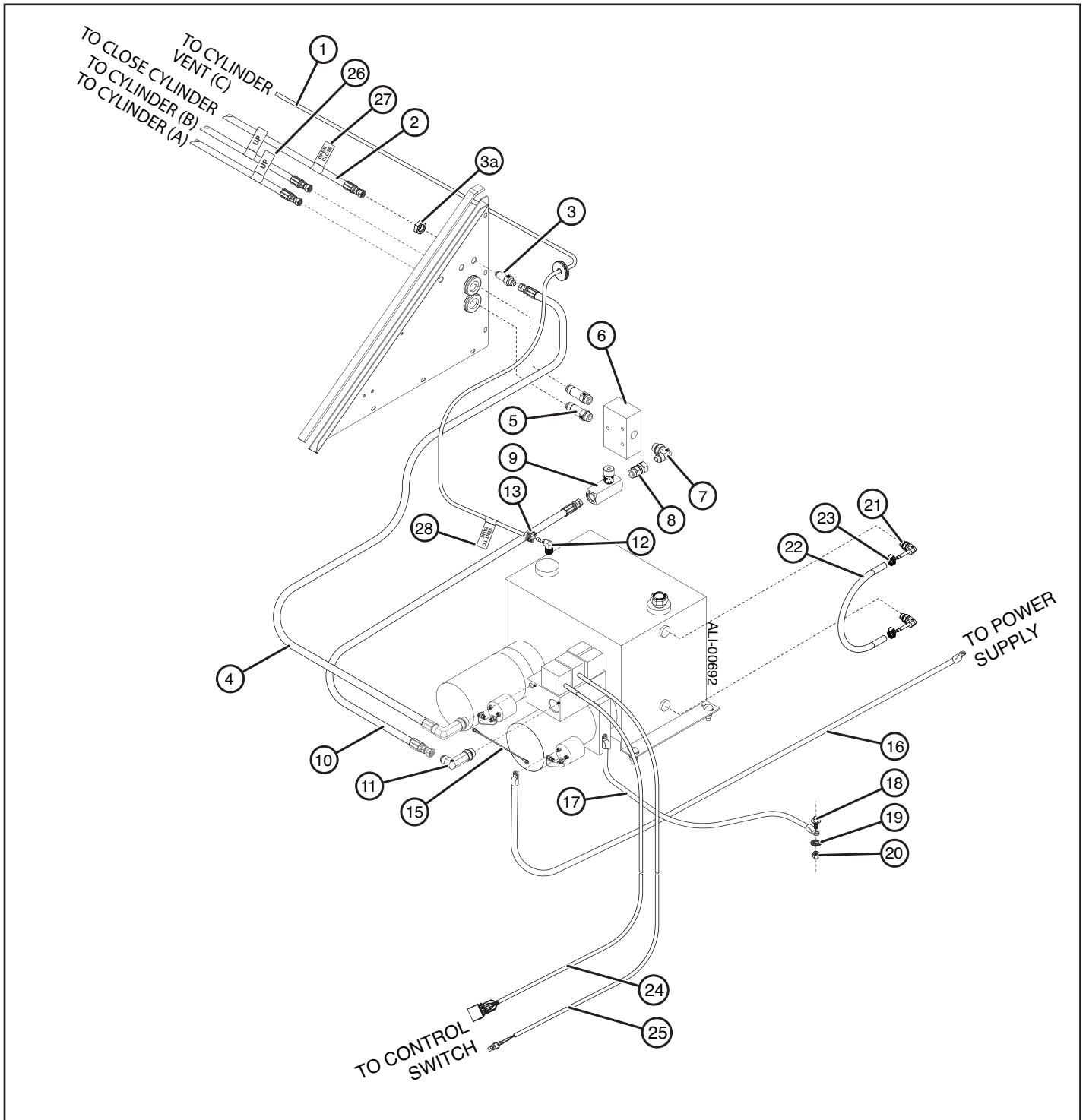
5.2.3 Gravity Down Power Pack and Pump Box



Item	Part Number	Description	Qty.
1	A-177667-G	MRT PUMP BOX CARRIER FRAME W/M	1
2	A-177678	MRT PUMP BOX RH SIDE	1
3	A-177677	MRT PUMP BOX FLOOR	1
4	A-177733	MRT PUMP BOX LH SIDE-MONARCH/DELTA	1
5	A-177673	MRT PUMP BOX COVER	1
6	A-177675	MRT PUMP BOX COVER LH SIDE	1
7	A-177674	MRT PUMP BOX COVER RH SIDE	1
8	A-132084	1/4" STRUCTURAL RIVET, .560" LG, SS	30
9	A-132200	WEATHERSTRIP-SIDES 27"	2
10	A-132128	DRAW LATCH W/BASE & RUBBER HANDLE	3
11	A-132327	10-32 X 1" LG. S/M/S WASHER HEAD	9

Item	Part Number	Description	Qty.
12	A-132080	#10 EXTERNAL TOOTH LOCK WASHER	9
13	3514	10-32 M/S NUT ZP	9
14	A-133468	3/4" RIGID PLASTIC LOCKING PLUG (IF NO CUT-OFF SWITCH)	1
15	ATU-137	GROMMET WITH HOLE FOR 1.375" HOLE	4
16	A-132200	WEATHERSTRIP-HORIZONTAL 23"	2
17	A-176812	GROMMET, 3/4"ID X 2.25"OD SLICED	1
18	ATU-229	GROMMET FOR 1.375" HOLE	3
19	ATU-358	1/4"-20 x 2.0" H/C/S ZP	3
20	2029	1/4-20 FLANGED L/N ZP	3
21	2114	5/16-18 SERRATED FLANGED L/N ZP	4
22	A-177738	MOUNTING PLATE-MONARCH&DELTA FLOW DIVIDERS	1
23	2145	5/16-18 X 3/4" FLANGE BOLT, GR.8.2 ZP	4
24	A-140268	GRAB HANDLE-BATTERY BOX COVER	1
25	A-132319	PUSH-IN ROUND PLASTIC PLUG - 9/16"	2
26	A-132328	RIGID PLASTIC PLUG 0.281 HOLE (IF NO CYCLE COUNTER)	2
27	A-130266	POWER PACK-MRT GD DUAL PUMP -8 PORTS	1
28	A-132302	3/8-16 X 1.25" CARRIAGE BOLT SS	4
29	A-132305	3/8 FLAT WASHER SS	4
30	A-132306	3/8 SPLIT LOCKWASHER SS	4
31	A-132287	3/8"-16 18-8 STAINLESS STEEL FINISHED HEX NUT	4
32	A-130033	BREATHER/FILLER CAP	1
—	A-131085	DECAL - SECURE LID	—

5.2.4 Gravity-Down Wiring, Hoses, and Fittings

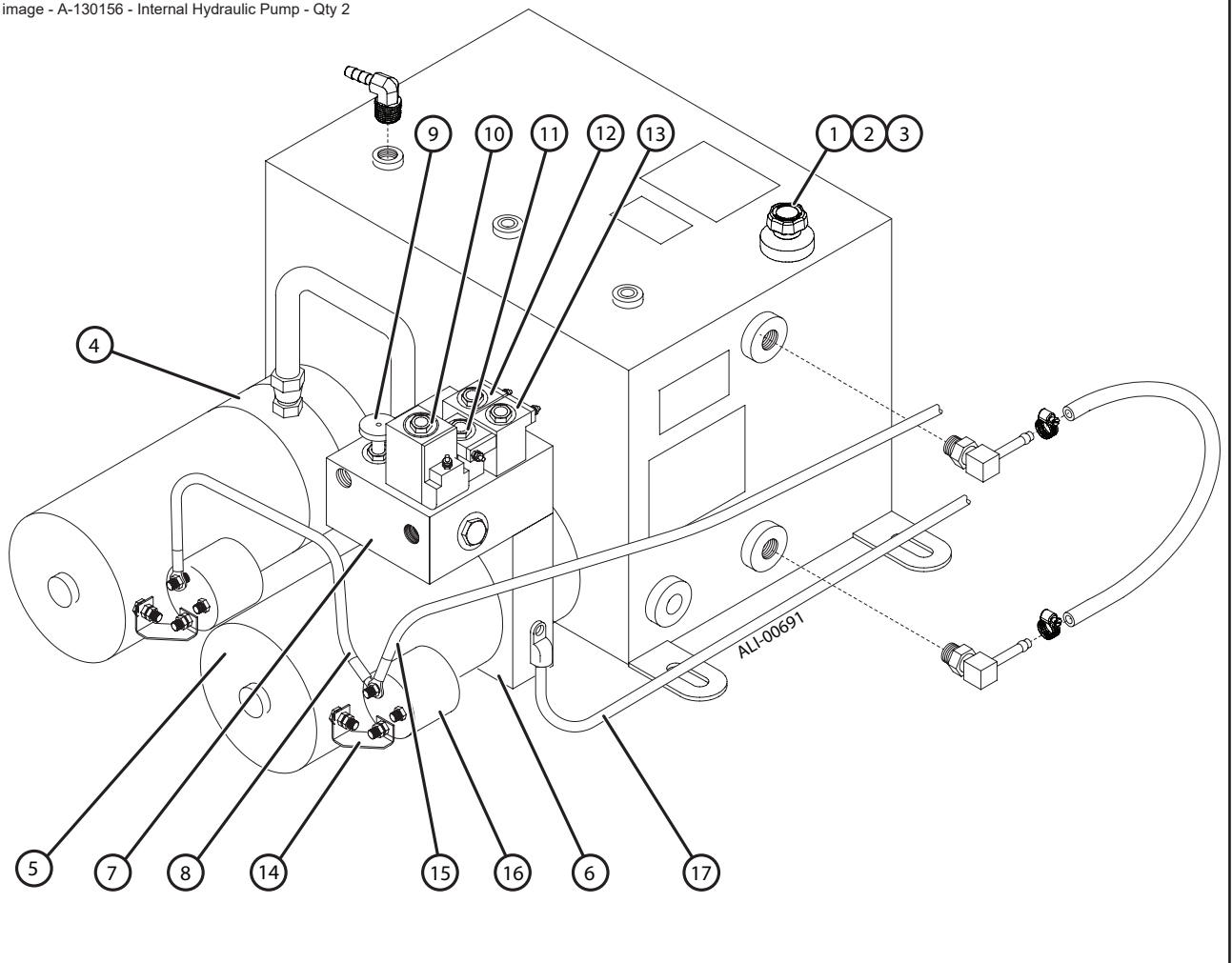


Wiring Diagrams	
Part No.	Description
A-136028	GRAVITY DOWN WIRING DIAGRAM

Item	Part Number	Description	Qty.
1	A-130083	HOSE, WIRE REINFORCED, VENT, 1/4" ID X .5" OD	1
2	A-130188	HOSE, 1/4" X 144", 6FJX-6FJX	1
3	A-130157	FITTING, 06MJ-06MJ BULKHEAD ADAPTER	1
3a	A-130158	FITTING, 06 BULKHEAD NUT	1
4	A-130248	HOSE, 1/4" X 29", 6FJX-6MBX90 DEGREE	1
5	A-130378	FITTING, 08MJ-08MORB STRAIGHT LONG	2
6	A-177863	DELTA FLOW DIV. SAE THREADS	1
7	A-130408	FITTING, 08MJ-08MORBS 90DEG ELBOW FORGED	1
8	A-130256	FITTING, 08MORB-08FJS STRAIGHT	1
9	A-130255	ADJUSTABLE FLOW CONTROL VALVE #8 PORTS	1
10	A-130254	HOSE, 1/2" X 24" 8FJX-8MBX	1
11	A-130257	FITTING: 08MJ-08MAORB 90 ELB X-LONG FORGED	1
12	A-130155	FITTING, 90° - 3/8 NPT X 1/4" HOSE BARB	1
13	A-170260	HOSE CLAMP (STAINLESS STEEL)	1
14	—	—	—
15	A-133152	CABLE, RED, 20" (FROM SOLENOID TO SOLENOID)	1
16	A-133479	BATTERY CABLE, RED, 96" LONG	1
17	A-133333 A-133575	GROUND CABLE, BLACK, 96" LONG BATTERY/GROUND CABLE, STRAIGHT TRUCK (REPLACES A-133479/A-133333)	1 OPT.
18	2145	BOLT, 5/16-18 NC X 1" LONG, WHIZ-LOCK™	1
19	2054	LOCKWASHER, 5/16" (HELICAL)	1
20	2114	NUT, HEX, 5/16-18 NC WHIZ-LOCK™ (SERRATED FLANGE LOCK)	1
21	A-130031	FITTING, 04HB-06MAORB 90 DEG ELBOW FORGED	2
22	A-130083	PUMP BOX LEVEL VIEW-TUBE	1
23	A-170260	7/32-5/8 SS HOSE CLAMP	2
24	A-133531	CABLE (FOR COLUMN CONTROL)	
25	A-133547	CABLE (FOR RUNNER CONTROL)	
26	A-131140	HOSE "UP" DECAL	2
27	A-131142	HOSE "OPEN/CLOSE" DECAL	—
28	A-131143	HOSE "VENT TO TANK" DECAL	2
—	A-131131	"STOW" DECAL	1

5.2.5 Gravity Down Power Pack

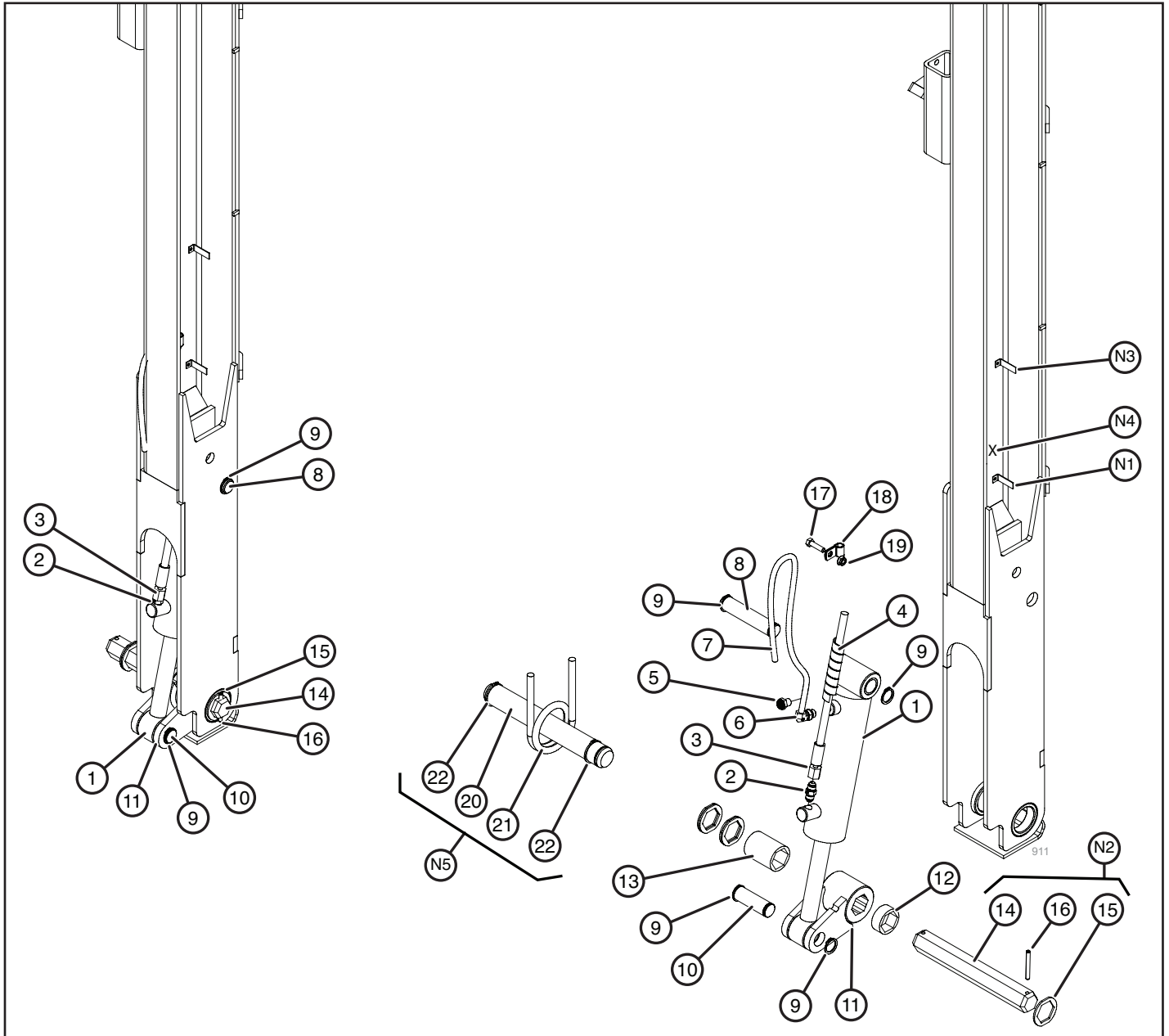
*Not shown in image - A-130156 - Internal Hydraulic Pump - Qty 2



Item	Part Number	Description	Qty.
1	A-130033	RESERVOIR FILLER/VENT CAP	1
2	A-130039	RESERVOIR	1
3	A-150016	PUMP FILTER REPLACEMENT	1
4	A-130373	ALUMINUM MANIFOLD - (ROUND)	1
5	A-150018	12 VDC MOTOR - UNIT ITEM (UNIT REPLACEMENT ONLY)	2
6	A-176679	ALUMINUM MANIFOLD - (SQUARE)	1
7	A-176681	VALVE ASSEMBLY (BLOCK)	1
8	A-133152	RED CABLE 20" - SOLENOID TO SOLENOID	1
9	A-130289	NEEDLE VALVE (ADJUSTABLE) - OPEN AND/OR CLOSE ADJUSTMENT	1
10	—	CARTRIDGE VALVE / COIL (CALL FOR INFORMATION)	—
11	—	RAISE CARTRIDGE VALVE / COIL (CALL FOR INFORMATION)	—
12	—	LOWER RAISE CARTRIDGE VALVE / COIL (CALL FOR INFORMATION)	—
13	—	OPEN RAISE CARTRIDGE VALVE / COIL (CALL FOR INFORMATION)	—
14	—	CONDUCTING STRAP (PART OF ATU-120)	—
15	A-133479	RED CABLE 96" - TO RH SOLENOID, OTHER END OUT OF BOX	1
16	ATU-120	SOLENOID RELAY, 12 VDC MOTOR RUN	2
17	A-133333	BLACK CABLE 96" - TO PUMP GROUND, OTHER END OUT OF BOX	1
—	A-132110	SLIT CONVOLUTE - 7" ON EACH GROUND WIRE SET, 13" ON BROWN/WHITE TO LH SOLENOID	—

NOTES

5.3 Closer / Tilt Cylinder



Item	Part Number	Description	Qty.
1	A-130180	CYLINDER ASSY	1
2	A-130187	FITTING: 06MJ-06MJ STRAIGHT	1
3	A-130188	CLOSER CYLINDER HOSE	1
4	A-177367	EDGE TRIM	1
5	A-130299	FITTING: 3/8" (06MORB) BREATHER FILTER VENT (REPLACED BY A-130031 / A-130083)	1
6	A-130031	FITTING: 04HB-06MAORB 90 DEG ELB FORGED	1
7	A-130083	WIRE REINF. VENT HOSE 1/4" ID X .5" OD (HELD IN PLACE BY WIRE CLIPS INSIDE RUNNER) NOTE N1 — WIRE CLIPS TO HOLD VENT TUBE	1
8	A-176456	CLOSER CYLINDER-UPPER PIN	1
9	A-150060	1" EXT HD RETAINING RING ZP	4
10	A-176453	CLOSER CYLINDER-LOWER PIN	1

NOTE N2 — CURBSIDE PLATFORM PIN AND RELATED HARDWARE

Item	Part Number	Description	Qty.
11	A-177025	CLOSER CLEVIS W/M-1.375" HEX	1
12	A-177023	1.375" HEX BUSHING, SHORT-RUNNER	1
14	A-177635	PIN-PLATFORM HINGE, 1.375" HEX	1
15	A-177021	WASHER, 1.375" HEX	5
16	S-070011	ROLL PIN 1/4" X 2-1/4" HBT ZINC PLATED	1

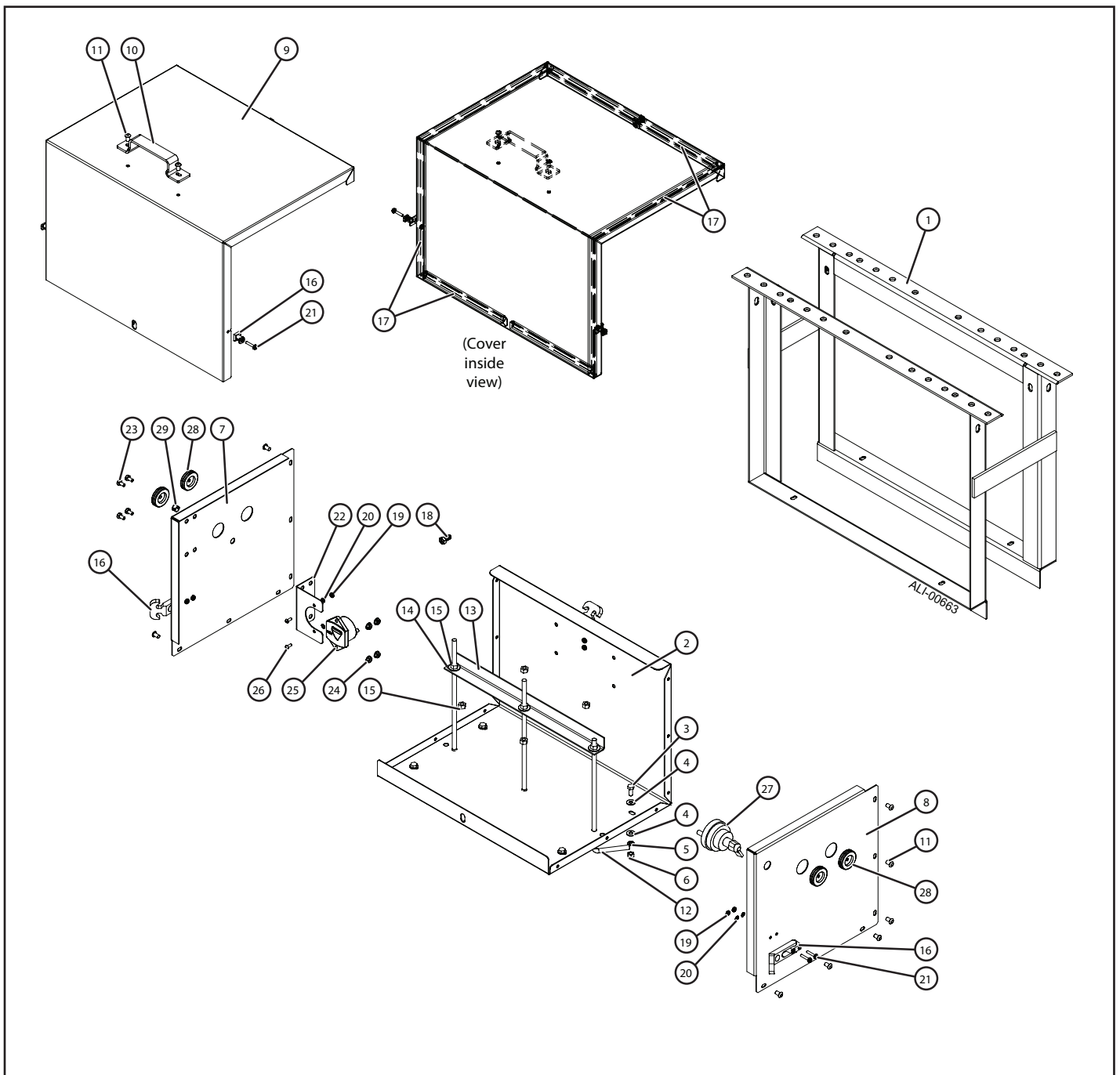
NOTE N3 — WIRE CLIP TO HOLD RUNNER SWITCH WIRE
NOTE N4 — BOLT/CLAMP HERE FOR RUNNER SWITCH WIRE

Item	Part Number	Description	Qty.
17	870	5/16-18 x 1.250" HEX BOLT	1
18	A-132298	1/2" HEAVY DUTY CLAMP (.406 HOLE)	1
19	2114	5/16-18 SERRATED FLANGED L/N ZP	1

NOTE N5 — STREETSIDE PLATFORM PIN AND RELATED HARDWARE

Item	Part Number	Description	Qty.
20	A-176458	PIN - PLATFORM HINGE, W/OUT FLAT	1
21	A-176798	PLATFORM ASSIST SPRING	1
22	A-176066	1-1/2" RETAINING RING	2

6. Battery Box

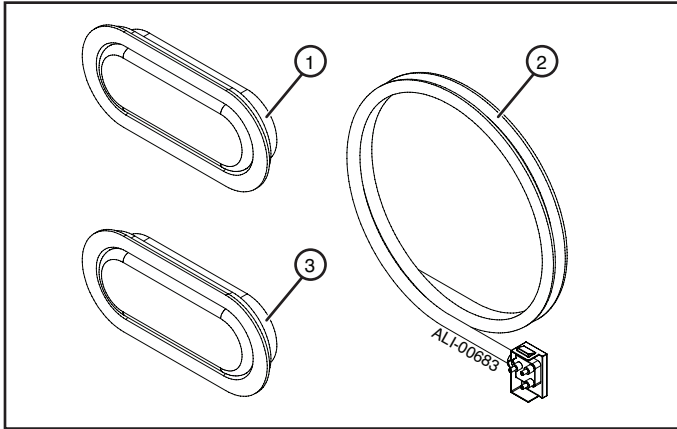


Item	Part Number	Description	Qty.
1	A-140110-G	BATTERY BOX FRAME WELDMENT	1
2	A-140101	BATTERY BOX LOWER	1
3	5434	5/16-18 X .75" HEX BOLT	4
4	2051	1/4" F/W ZP	8
5	6611	5/16 SPLIT LOCKWASHER	4
6	862	5/16-18 LOCKNUT	4
7	A-140104	BATTERY BOX LH SIDE PANEL	1
8	A-140103	BATTERY BOX RH SIDE PANEL	1
9	A-140102	BATTERY BOX COVER	1
10	A-140268	GRAB HANDLE-BATTERY BOX COVER	1
11	A-132084	1/4" STRUCTURAL RIVET, .560" LG, SS	14

Item	Part Number	Description	Qty.
12	A-171318	ANCHOR BOLT	3
13	A-171317	BATTERY TIE-DOWN ANGLE	1
14	2058	3/8 FLAT WASHER	3
15	P-162	3/8-16 HEX NUT	7
16	A-132128	DRAW LATCH AND LATCH RUBBER HANDLE	3
17	A-176854	GASKET, "D" PROFILE	104"
18	764	3/8"-16 x 3/4" HH BOLT ZP	1
19	3514	10-32 M/S NUT ZP	11
20	A-132080	#10 EXTERNAL TOOTH LOCK WASHER	11
21	A-132327	10-32 X 1" LG. S/M/S WASHER HEAD	9
22	A-140709	CIRCUIT BREAKER BRACKET	1
23	A-132083	1/4-20 X 1/2" H/H C/S GR.8 ZP	4
24	2029	1/4-20 FLANGED L/N ZP	4
25	A-133395	200A CIRCUIT BREAKER	1
26	2001	10-32 X 1/2" SLOTTED MACHINE HEAD C/S SS	2
27	A-150031	CUT-OFF SWITCH - DETAILED	1
28	ATU-137	GROMMET WITH HOLE FOR 1.375" HOLE	4
29	A-132273	PUSH-IN ROUND PLASTIC PLUG - 1/2"	1
—	A-133201	BATTERY(S), 12 VOLT DC	
		NOT SHOWN:	
	A-177622	PUSH BUMPER BATTERY PAD	1
	A-133169	BATTERY GROUND CABLE-2FT	1
—	A-133098	BATTERY CABLE-BLACK 1FT	1
	A-133487	BATTERY CABLE-RED 1FT	3
	A-131085	DECAL - SECURE LID	1
	ATU-424	DECAL - WARNING	1

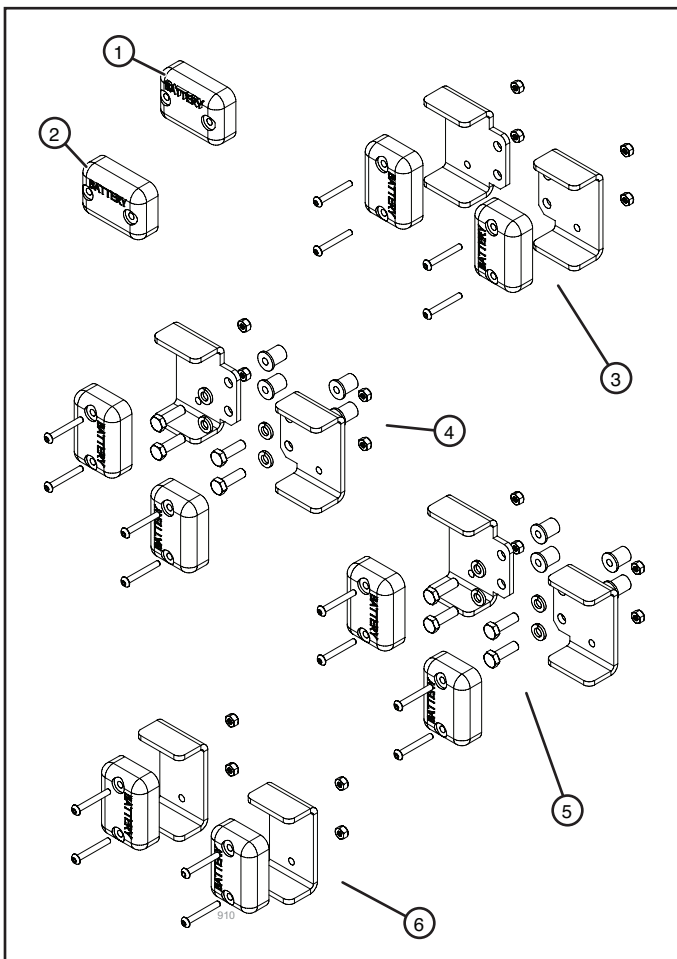
7. Electrical

7.1 Taillights for Lightbox



Item	Part No.	Description	Qty.
1	A-133514	RED OVAL TAILLIGHT & GROMMET	1
2	A-133515	PL3 WIRING HARNESS (FOR RED OR WHITE TAILLIGHTS)	1
3	A-133518	WHITE OVAL TAILLIGHT & GROMMET	1

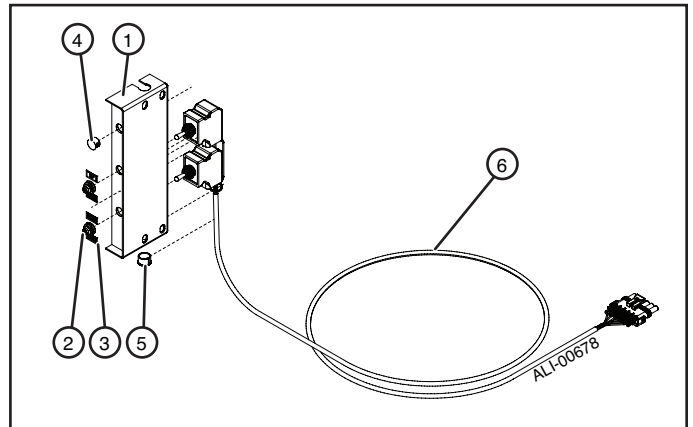
7.2 Platform Light Kits



Item	Part Number	Description
1	A-133495	BLINKING LIGHT - SIDE MOUNT
2	A-133413	MRT BLINKING LIGHT - END MOUNT
3	A-177609	MRT BLINKING LIGHT KIT-STEEL
4	A-177956	BLINKING LIGHT KIT - PAINTED
5	A-177956-G	BLINKING LIGHT KIT - GALV
6	A-177612	MRT BLINKING LIGHT KIT - ALUM P/F

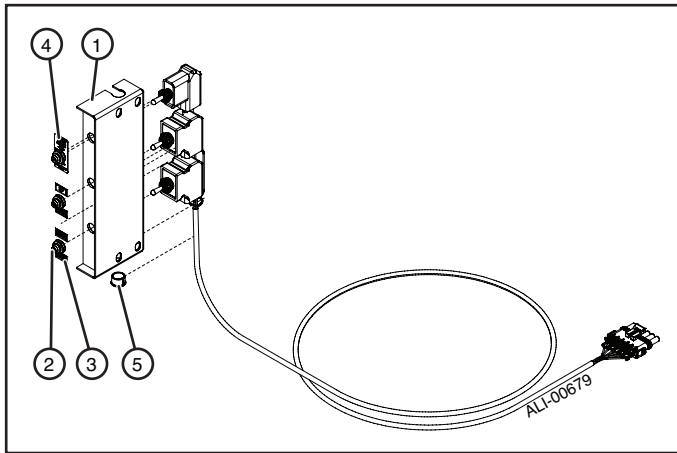
7.3 Column Control Switches

7.3.1 Curbside and Streetside Gravity Down Control Switch



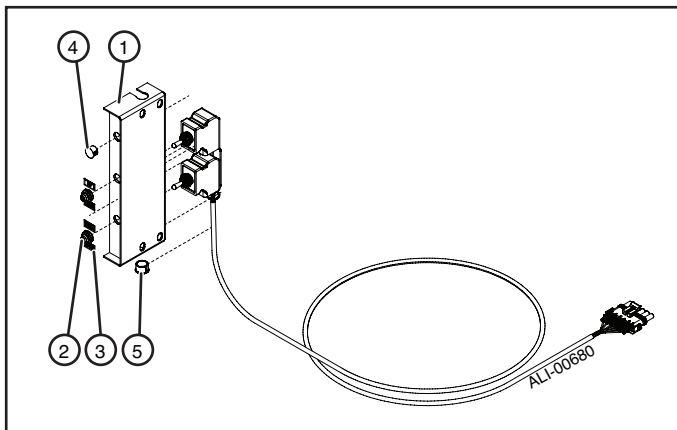
Item	Part No.	Description	Qty.
—	A-177297, -G, -SS	COLUMN CONTROL - GD (CURBSIDE) - COMPLETE (4.5 FT)	1
	A-177364	COLUMN CONTROL - GD (CURBSIDE) - COMPLETE (4 FT)	
	A-177629, -SS	COLUMN CONTROL - GD (CURBSIDE) - COMPLETE (15 FT)	
	A-177304, -G	COLUMN CONTROL - GD (STREETSIDE) - COMPLETE (12.5 FT)	
1	A-177253, -G, -SS	CONTROL BOX WELDMENT-CURBSIDE	1
	A-177690, -G	CONTROL BOX WELDMENT-STREETSIDE	
2	AR-18-155	TOGGLE BOOT HEX SEAL	2
3	A-131043	OPEN-CLOSE-UP-DOWN DECAL	1
4	A-132273	PUSH-IN ROUND PLASTIC PLUG - 1/2"	1
5	A-132318	SPLIT LOCKING GROMMETS, FOR 5/8" ID	1
6	A-133102	OPEN/CLOSE/ RAISE/LOWER WIRE HARNESS	1
—	869	5/16-18 X 2" BOLT	2
—	6611	5/16 LOCKWASHER	2
—	A-130054, -SS	THREADED INSERT	2

7.3.2 Curbside and Streetside Power Down Control Switch with ON/OFF



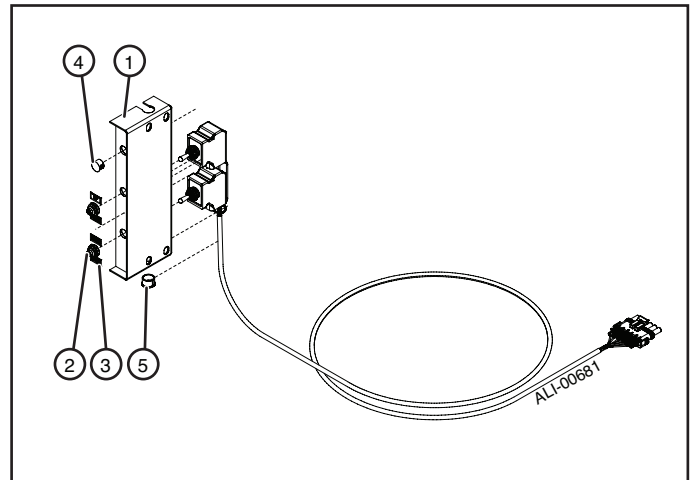
Item	Part No.	Description	Qty.
—	A-177305, -G, -SS	COLUMN CONTROL - PDOD (CURBSIDE) - COMPLETE (4.5 FT)	1
	A-177630	COLUMN CONTROL - PDOD (CURBSIDE) - COMPLETE(15 FT)	
	A-177306,-G	COLUMN CONTROL - PDOD (STREETSIDE) - COMPLETE (12.5 FT)	
1	A-177253, -G, -SS	CONTROL BOX WELDMENT-CURBSIDE	1
	A-177690,-G	CONTROL BOX WELDMENT-STREETSIDE	
2	AR-18-155	TOGGLE BOOT HEX SEAL	3
3	A-131043	OPEN-CLOSE-UP-DOWN DECAL	1
4	A-131002	PWR CUT OFF DECAL - TOGGLE CONTROL	1
5	A-132318	SPLIT LOCKING GROMMETS, FOR 5/8" ID	1
—	869	5/16-18 X 2" BOLT	2
—	6611	5/16 LOCKWASHER	2
—	A-130054, -SS	THREADED INSERT	2

7.3.3 Curbside and Streetside FTPD Control Switch



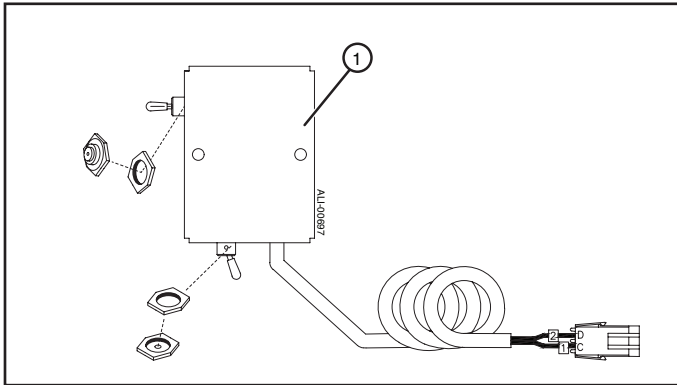
Item	Part No.	Description	Qty.
—	A-177856	COLUMN CONTROL - FTPD (CURBSIDE) - COMPLETE (4.5 FT)	1
	A-177857	COLUMN CONTROL - FTPD (STREETSIDE) - COMPLETE (12.5 FT)	
1	A-177253, -G, -SS	CONTROL BOX WELDMENT-CURBSIDE	1
	A-177690, -G	CONTROL BOX WELDMENT-STREETSIDE	
2	AR-18-155	TOGGLE BOOT HEX SEAL	2
3	A-131043	OPEN-CLOSE-UP-DOWN DECAL	1
4	A-132273	PUSH-IN ROUND PLASTIC PLUG - 1/2"	1
5	A-132318	SPLIT LOCKING GROMMETS, FOR 5/8" ID	1
—	869	5/16-18 X 2" BOLT	2
—	6611	5/16 LOCKWASHER	2
—	A-130054, -SS	THREADED INSERT	2

7.3.4 Curbside and Streetside FTPD Power Open Control Switch

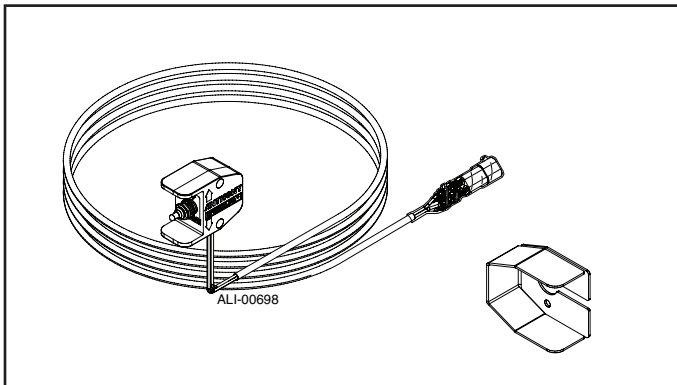


Item	Part No.	Description	Qty.
—	A-177902	COLUMN CONTROL - FTPD POWER OPEN (CURBSIDE) - COMPLETE (4.5 FT)	1
	A-177903	COLUMN CONTROL - FTPD POWER OPEN (STREETSIDE) - COMPLETE (12.5 FT)	
1	A-177253, -G, -SS	CONTROL BOX WELDMENT-CURBSIDE	1
	A-177690, -G	CONTROL BOX WELDMENT-STREETSIDE	
2	AR-18-155	TOGGLE BOOT HEX SEAL	2
3	A-131043	OPEN-CLOSE-UP-DOWN DECAL	1
4	A-132273	PUSH-IN ROUND PLASTIC PLUG - 1/2"	1
5	A-132318	SPLIT LOCKING GROMMETS, FOR 5/8" ID	1
—	869	5/16-18 X 2" BOLT	2
—	6611	5/16 LOCKWASHER	2
—	A-130054, -SS	THREADED INSERT	2

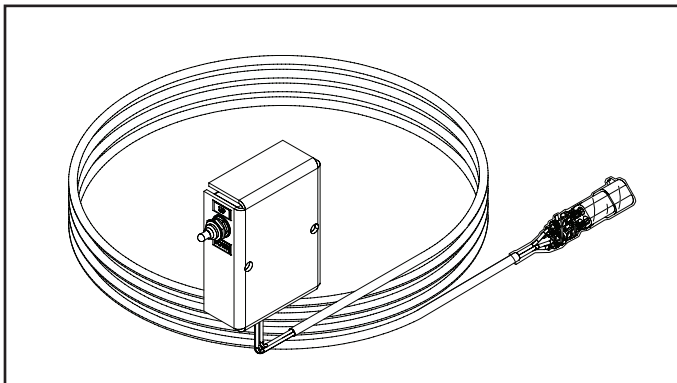
7.3.5 Full Length Runner Controls



Item	Part No.	Description	Qty.
1	A-133375, -SS	POWER DOWN TRAVELING SWITCH SIDE MOUNT COMPLETE	1
—	ATU-358	1/4-20 X 2" BOLT	2
—	S-016001	1/4" LOCKWASHER	4-6

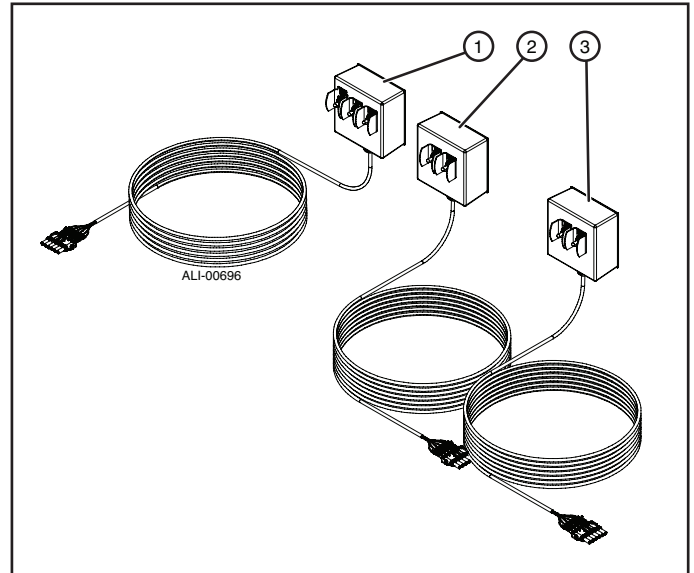


Part No.	Description
A-133532	MRT TRAVELING SWITCH, FTPD (replaces A-133532-SS and A-133523)
A-133618	MRT TRAVELING SWITCH, GD (replaces A-133408)
A-177994	SWITCH BOX GUARD



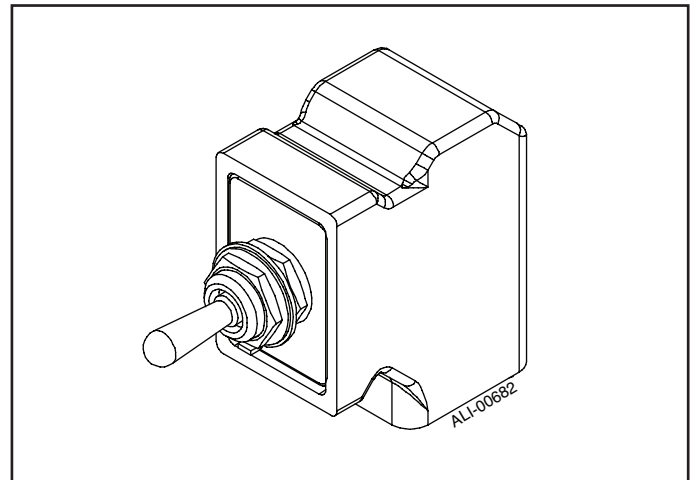
Part No.	Description
A-176627	MRT TRAVELING SWITCH, GAS BOTTLE, GD

7.3.6 Auxiliary Controls



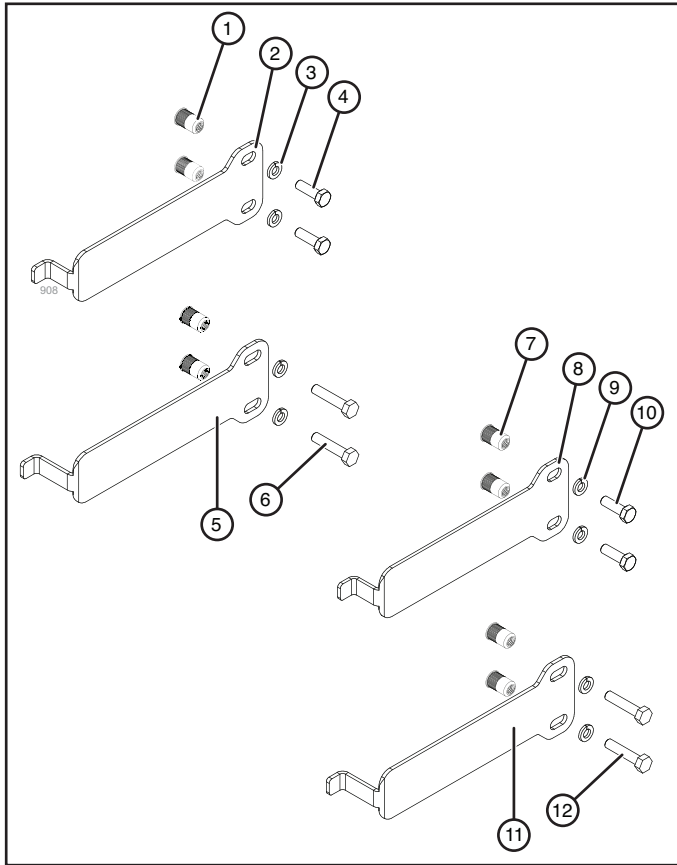
Part No.	Description
A-133338	GRAVITY DOWN (25 FT CORD)
A-133367	POWER DOWN (25 FT CORD)
A-133544	FULL TIME POWER DOWN (25 FT CORD)

7.3.7 Repair Switches



Part No.	Description
A-133175	OPEN/CLOSE (GRAVITY OPEN)
A-133567	OPEN/CLOSE (POWER OPEN)
A-133352	ON/OFF (PDOD)
A-133119	RAISE/LOWER GD
A-133176	RAISE/LOWER PD
A-133144	RAISE/LOWER FTPD
A-133102	GD FULL 2 SWITCH WIRING ASSY (16FT)
A-133103	GD RUNNER SWITCH ASSY (15FT)
A-133104	PD RUNNER SWITCH ASSY (15FT)
A-133532	FTPD POTTED RUNNER SWITCH ASSY (15FT)

7.4 Column Cord Covers



Item	Part Number	Description	Qty.
1	A-132054	5/16-18 x .312 THREADED INSERT	4
2	A-177535	CORD COVER-10.5" COLUMNS	1
3	6611	5/16 SPLIT LOCKWASHER	4
4	6608	5/16-18 X 1" HEX BOLT	2
5	A-177745	CORD COVER-10.5" COLUMNS W/OVERWRAP	1
6	A-132321	5/16-18 x 1.50" HEX BOLT	2
7	A-132054-SS	5/16-18 x .312 THREADED INSERT SS	4
8	A-177535-SS	CORD COVER-10.5" COLUMNS	1
9	A-132378	5/16 SPLIT LOCKWASHER, 18-8 SS	4
10	A-132262	5/16-18 X 1" HEX BOLT, SS	2
11	A-177745-SS	CORD COVER-10.5" COLUMNS W/OVERWRAP	1
12	A-132403	5/16-18 x 1.50" HEX BOLT, SS	2

8. Safety and Instructional Decals

SAFETY INSTRUCTIONS



To prevent personal injury from not being aware of safety recommendations, make sure all decals are attached to the liftgate and/or truck and are legible at all times!

Safety decals provide a vital role in helping to reduce injuries and/or possibly even death. To ensure the greatest level of safety, all decals must be in place and legible at all times. Remember, it is the users responsibility to maintain these decals. For a complete part number list of the decals used on the Magnum RailTrac Liftgates, refer to the Decals section in the Parts manual.

For replacement decals contact:

Anthony Liftgates, Inc.
1037 West Howard Street
Pontiac, Illinois 61764
(815) 842-3383

Web: www.anthonyliftgates.com

Email: Sales@anthonyliftgates.com

All decals must be in place and legible or all warranties are void.

8.1 Decal Part Number List

Item	Part No.	Description	Qty.
1	A-176566	OPERATING INSTRUCTIONS	1
2	A-131115	DECAL: PERSONAL INJURY	2
3	A-146982	DANGER: DO NOT STAND	1
4	ATU-177	MAXIMUM CAPACITY (3500 LBS.)	2
	A-131024	MAXIMUM CAPACITY (4500 LBS.)	
	A-131010	MAXIMUM CAPACITY (5500 LBS.)	
	A-131025	MAXIMUM CAPACITY (6500 LBS.)	
5	A-150238	NOTICE - THIS LIFTGATE IS PROTECTED...	1
6	AR-18-76	CAUTION: PINCH POINT	2
7	A-131013	ANTHONY LOGO	2
8	A-131130	NOT FOR STORAGE	1
9	A-131131	STOW	1
10	A-150601	MADE IN USA	
11	A-131028	WELD WARNING	1
12	A-131125	WARNING WELDING GALVANIZED	1
13	A-131149	MRT CLOSING DECAL (ALIGN ARROWS)	1
14	A-131002	LIFTGATE POWER SWITCH ON - OFF (control switch)	1
15	A-171447	UP, DOWN, OPEN, CLOSE (control switch)	1
16	A-131046	UP, DOWN, ON, OFF (control switch)	1
17	A-131085	SECURE LID (battery box and pump box)	2
18	A-131030	OPEN / CLOSE SPEED ADJUSTMENT	1
19	A-131133	HYDRAULIC FLUID	1
20	A-131001	10 AMP FUSE REPLACEMENT	1
21	A-131141	DOWN (on hoses)	2

Anthony Liftgates, Inc.
www.anthonyliftgates.com

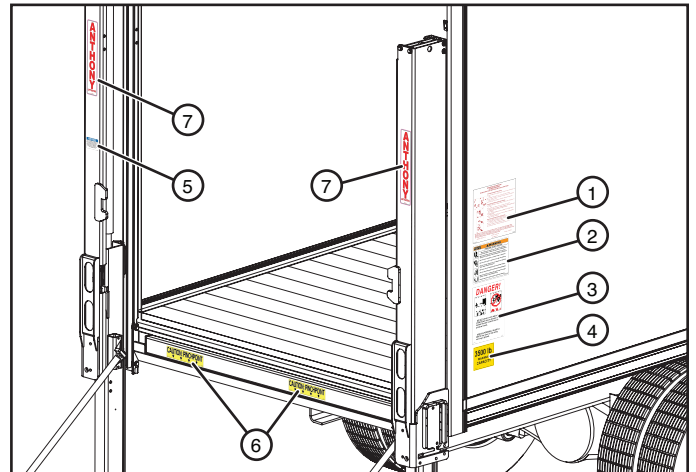
Item	Part No.	Description	Qty.
22	A-131142	OPEN/CLOSE (on hoses)	2
23	A-131140	UP (on hoses)	2
24	A-131143	VENT (on hoses)	2
25	ATU-424	WARNING (On side of battery box)	1
—	A-131117	CONSPICUITY TAPE	—
—	A-131036	200 AMP FUSE RESET (battery box)	1

8.2 Decal Kit Part Number List

Part Number	Description	Qty.
A-177239	DECALS ONLY - 3500	1
A-177240	DECALS ONLY - 4500	1
A-177102	DECALS ONLY - 5500	1
A-177241	DECALS ONLY - 6500	1

8.3 Decal Illustrations

Truck Body Decals



1 — A-176566

OPERATING INSTRUCTIONS
ANTHONY RAILTRAC
MODELS MRT-3500, MRT-4500, MRT-5500, & MRT-6500

TO POSITION PLATFORM FOR DOCK LOADING.

- Turn "on" Main Power to liftgate (switch is located on side of "pump box" or in "cab").
- Disengage "runner latches", one on each outer side of columns.
- Press "Down" switch to lower platform straight down, until platform is below truck floor level.
- Reverse Steps A, B, & C above to return lift to "in-transit stored" position.

TO POSITION PLATFORM FOR LOADING AND UNLOADING.

- Turn "on" Main Power to liftgate (switch is located on side of "pump box" or in "cab").
- Disengage "runner latches", one on each outer side of columns.
- Press "Down" switch to lower "platform" straight down (approx. 8 inches) until platform clears the "platform latches" located on the inner rear edge of the columns. (See * note below).
- Be certain the area that platform opens into is CLEAR! Press the "Open" switch to unfold the platform.
- Press the "Up & Down" switch to raise or lower the platform. Load the platform, raise or lower, then unload cargo.

TO RETURN PLATFORM TO IN-TRANSIT STORED POSITION.

- Be certain platform load surface is CLEAR of all objects, and everyone is clear of moving parts. Then position platform approx. 8 inches below the truck floor level.
- Press the "Close" switch to fold the platform.
- Press the "Up" switch to raise the platform all the way up.
- Set the "runner latches", one on each outer side of the columns.

**This liftgate has a "safety catch" feature on the platform latches. The "safety catch" feature engages while lowering, if the closer cylinder loses hydraulic pressure. The "latch blocks" on the "platform flip section" will catch the "latch bars" as it is lowered (approx. 4 inches down). If this happens, raise and fold the platform closed. This should allow the platform to lower without opening unintentionally.*

Anthony Liftgates, Inc. 1037 W. Howard St. Pontiac, IL 61764
 A-176566 (800-482-0003) 03/2008

2 — A-131115

ANTHONY LIFTGATES, INC.	
WARNING	
PERSONAL INJURY HAZARD	
 	<p>Operation may require user to stand on platform. To prevent injury or death of operators or bystanders:</p> <ul style="list-style-type: none"> • Read and follow operator/owner manual for safety, operation, inspection, and maintenance instructions. • Do not place unstable or unsafe loads on platform. • Do not allow loads to extend over edge of platform. • Do not exceed capacity or use liftgate for anything other than intended purpose. • Be aware of surroundings when operating liftgate. • Do not allow body parts to contact moving components. • Ensure footing is stable and stand away from edge before raising or lowering platform. • Owner/operators must properly maintain liftgate.
	<small>A-131115</small>

5500 lb.

MAXIMUM
CAPACITY

A-131010

6500 lb.

MAXIMUM
CAPACITY

A-131025

CAUTION Make sure the proper “maximum capacity” decal goes on the appropriate liftgate. For example, the “5500 Maximum Capacity” decal goes on MRT-5500 models only. Do not put a higher rated decal (6500 pound) on a smaller liftgate (model 5500); this could result in liftgate damage or possibly personal injury. 3500 lb. - ATU-177; 4500 lb. - A-131024; 5500 lb. - A-131010; 6500 lb. - A-131025

3 — A-146982

DANGER!

**STAND CLEAR
RIGHT**

WRONG

DO NOT stand or walk behind or allow anyone else to stand or walk behind the area in which the lift platform travels.

SERIOUS PERSONAL INJURY or DEATH may occur if this safety warning is ignored.

A-146982 03/2008

5 — A-150238

NOTICE

THIS LIFTGATE IS PROTECTED WITH AN ELECTRICAL OVERLOAD CIRCUIT PROTECTION DEVICE, EITHER A CIRCUIT BREAKER, OR A FUSE, AND IS LOCATED NEAR THE POWER SUPPLY

A-150238

6 — AR-18-76

CAUTION: PINCHPOINT

↓ ↓ ↓ ↓

AR-18-76 03/2008

4 — ATU-177, A-131024, A-131010, A-131025

3500 lb.

MAXIMUM
CAPACITY

ATU-177

4500 lb.

MAXIMUM
CAPACITY

A-131024

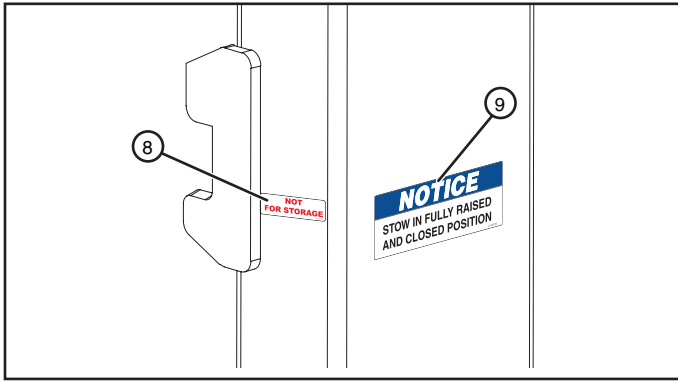
7 — A-131013

ANTHONY

LIFTGATES

A-131013

Curbside H-Frame Decals



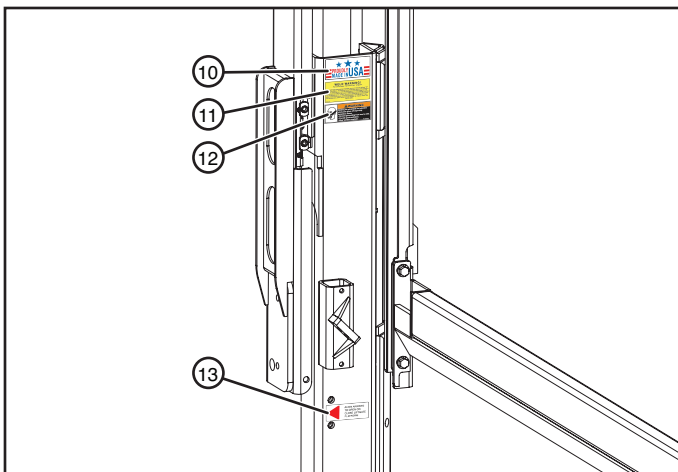
8 — A-131130



9 — A-131331



Streetside H-Frame Decals



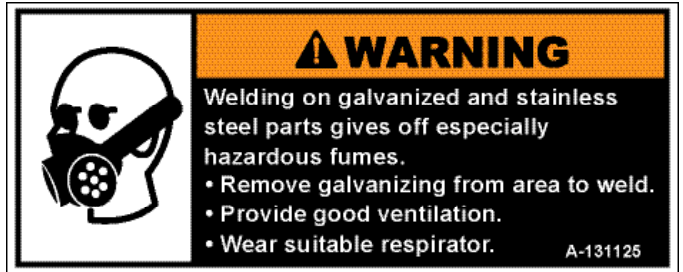
10 — A-150601



11 — A-131028



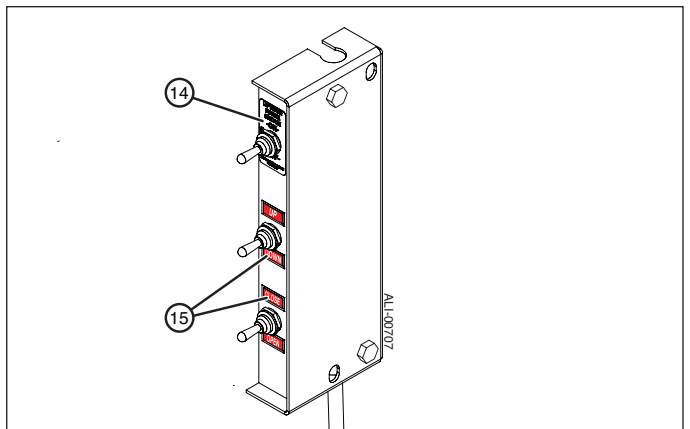
12 — A-131125 (galvanized liftgates only)



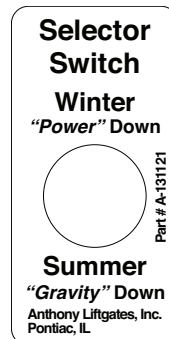
13 — A-131149



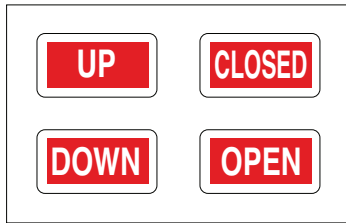
Control Decals



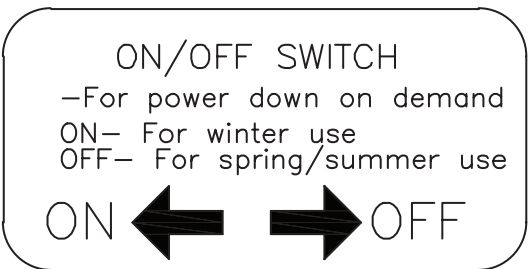
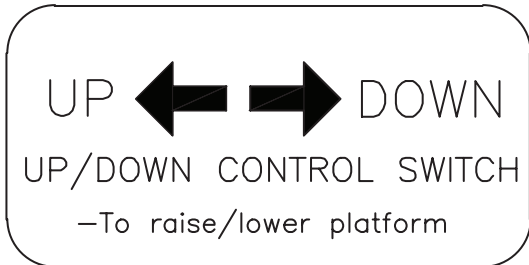
14 — A-121131



15 — A-171447

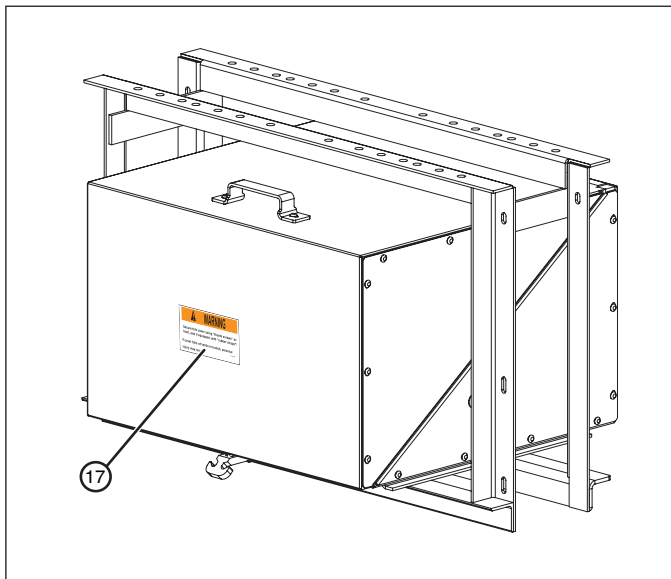


16 — A-131046



A-131046

Pump Box Decals



17 — A-131085

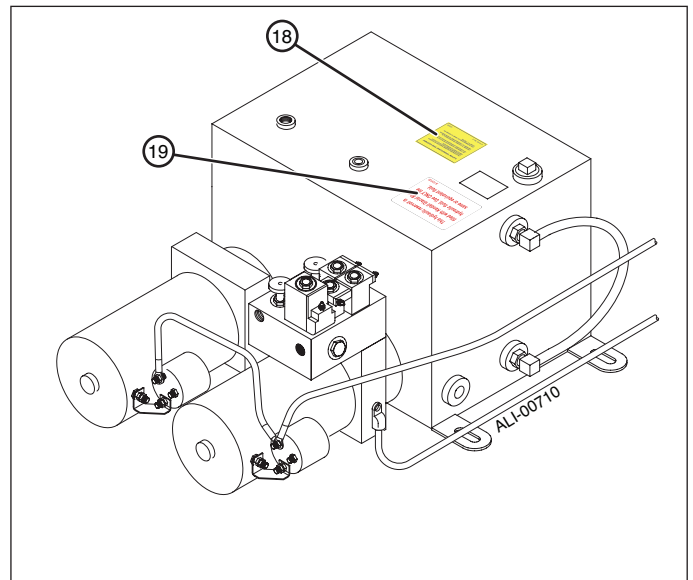
⚠ WARNING

Secure this cover using "thumb screws" on front, and if equipped, with "rubber straps"!

If cover falls off while in transit, personal injury may result!

A-131085

Pump Unit Decals



18 — A-131030

PLATFORM "OPENING/CLOSING" SPEED ADJUSTMENT

THE PLATFORM SPEED ADJUSTMENT IS MADE USING THE TWO NEEDLE VALVES WITH ADJUSTING KNOBS LOCATED ON TOP OF THE VALVE MANIFOLD, BEHIND THE CARTRIDGE VALVES.

- THE "OPENING SPEED" IS CONTROLLED BY THE VALVE ON THE BACK.
- THE "CLOSING SPEED" IS CONTROLLED BY THE VALVE ON THE FRONT.

TURN KNOBS "IN" (CLOCKWISE) FOR SLOWER OPERATION, OR, TURN KNOBS "OUT" (COUNTERCLOCKWISE) FOR FASTER OPERATION.

NOTE: RECOMMENDED SPEED FOR "OPENING" IS 5 SECONDS, AND "CLOSING" IS 5 - 7 SECONDS.

A-131030, Rev. A
03/2008

19 — A-131133

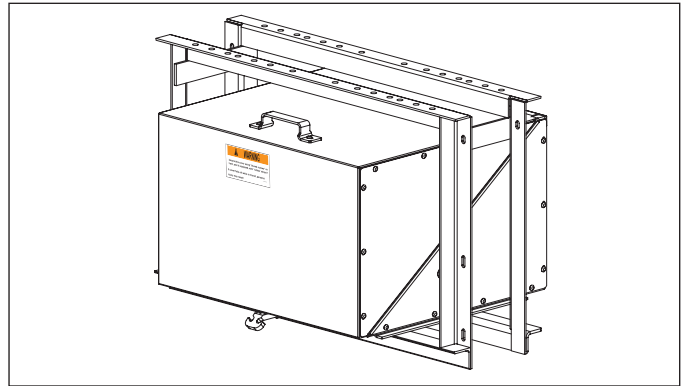
This hydraulic reservoir is filled with Kendall Glacial Blu hydraulic fluid. Use ONLY the same or equivalent fluid.

A-131133

24 — A-131143 (not shown)



Battery Box Decals



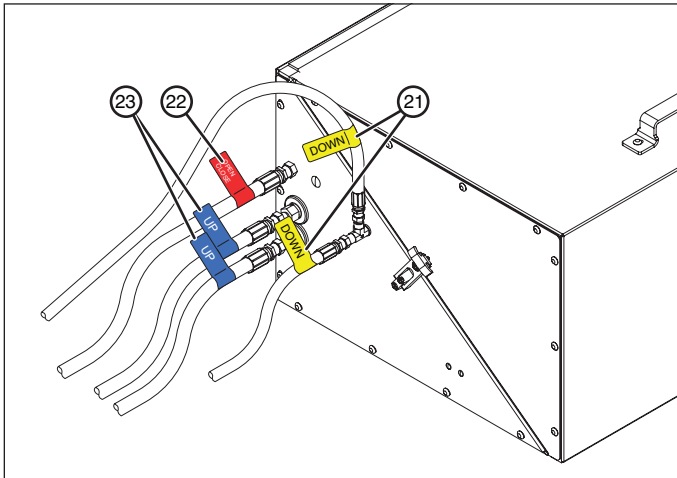
20 — A-131001 (not shown)

10 AMP FUSE & HOLDER
Protects against dead shorts in this "control circuit".
If blown, pull "fuse holder cap", replace fuse, replace "cap". If fuse continues to blow, contact a qualified mechanic, "control circuit" may be damaged.

A-131001

10 AMP FUSE & HOLDER
Protects against dead shorts in this "control circuit".
If blown, pull "fuse holder cap", replace fuse, replace "cap". If fuse continues to blow, contact a qualified mechanic, "control circuit" may be damaged.

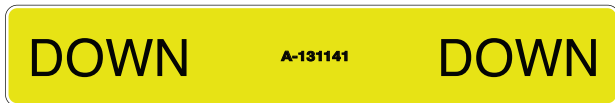
Pump Hose Decals



25 — ATU-424



21 — A-131141



22 — A-131142



23 — A-131140



ANTHONY
LIFTGATES, INC.®



THE ORIGINAL NAME IN LIFTGATES - SINCE 1941

ANTHONY
LIFTGATES, INC.®

MRT

1037 WEST HOWARD ST.
P.O. BOX 615
PONTIAC, IL 61764-0615
PH: 815-842-3383
FAX: 815-844-3612
TOLL FREE: 800-482-0003
WWW.ANTHONYLIFTGATES.COM