

Use these dimensions for low-bed models (AST-L and ETU-20-44). The height of the power unit enclosure (E dimension) may be adjusted to three different positions.

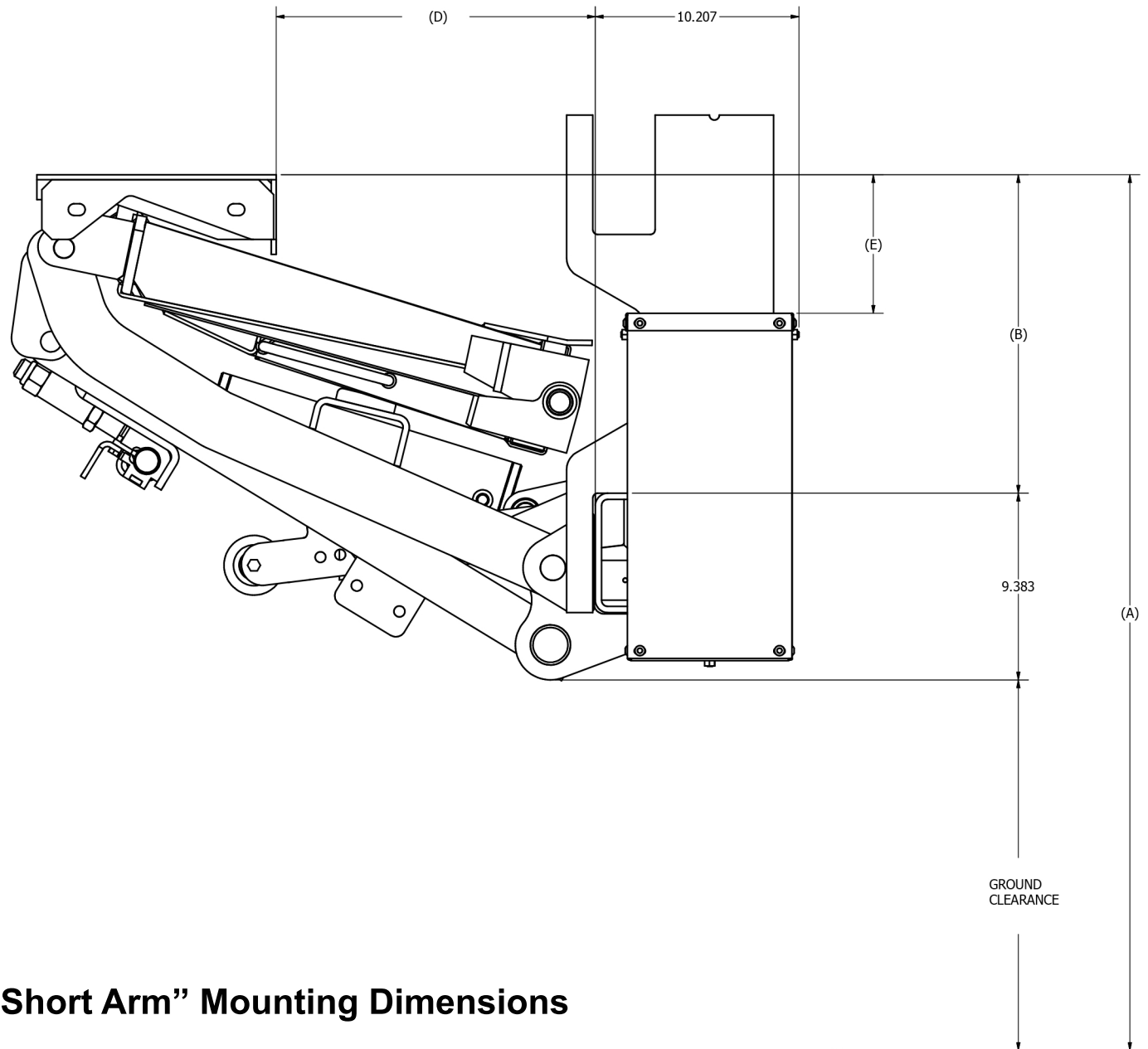


TABLE			
Column 1	Column 2	Column 3	Column 4
BED HGT (A)	FLOOR ABOVE TUBE (B)	FLOOR OUT FROM TUBE (D)	FLOOR ABOVE PUMP BOX (E)
44	15	17	6
43	15	17	6
42	15	17	6
41	15	17	6
40	15	17	6
39	15	17	6
38	14	17.5	5
37	13	18	4
36	12	18.5	3

AST-L & ETU-20-44 “Short Arm” Mounting Dimensions