

**ANTHONY**  
LIFTGATES, INC.®

**AST • AST-L •  
AST-PLUS**



## PARTS BOOK

### MODELS

AST-1500  
AST-2000  
AST-2500  
AST-3000  
AST-3500

AST-L-1800  
AST-L-2500

AST-PLUS-2500  
AST-PLUS-3000



**QUALITY, RELIABILITY, CUSTOMER SERVICE**

**MADE IN THE USA** 



# Contents

1. General Information Section . . . . .	3	10. Pump Controls . . . . .	16
1.1 Introduction . . . . .	3	11. Adapter Frame Assembly . . . . .	18
1.2 Serial Number . . . . .	4	12. Lift Frame Assembly . . . . .	20
1.3 If Installation Help is Required . . . . .	4	13. Hydraulic System . . . . .	21
1.4 Replacement Safety Signs (Decals) . . . . .	4	13.1 Power Down Assembly . . . . .	21
2. Safety . . . . .	4	13.2 Gravity Down Assembly . . . . .	22
2.1 Safety is Your Responsibility . . . . .	4	14. Platform Assemblies . . . . .	23
2.2 General Safety Rules . . . . .	4	14.1 ATU-801 Steel Platform Assembly . . . . .	24
3. Nomenclature . . . . .	5	14.2 SG-897 Steel Platform Assembly with Cart Stops . . . . .	26
3.1 Platform Nomenclature . . . . .	5	14.3 ATU-1402 Aluminum Platform Assembly . . . . .	28
3.2 Gravity-Down Power Unit Nomenclature . . . . .	6	14.4 ATU-1403 Aluminum Platform Assembly with Cart Stops . . . . .	30
3.3 Power-Down Power Unit Nomenclature . . . . .	6	15. Fuse Assembly and Miscellaneous Accessories . . . . .	32
4. Standard Floor Extension, Dock Bumpers, and Decals . . . . .	8	16. Safety and Instructional Decals . . . . .	33
5. Dock Bumper Sets . . . . .	9	16.2 Decal Part Numbers . . . . .	33
6. Floor Extensions . . . . .	10	16.1 General Information . . . . .	33
7. Pump Box Assembly . . . . .	12	17. Decals . . . . .	34
8. Hydraulic Power Pack . . . . .	13		
8.1 Pumps . . . . .	13		
9. Pump Assembly . . . . .	14		
9.1 Pump Assembly - Gravity Down . . . . .	14		
9.2 Pump Assembly - Power Down . . . . .	15		

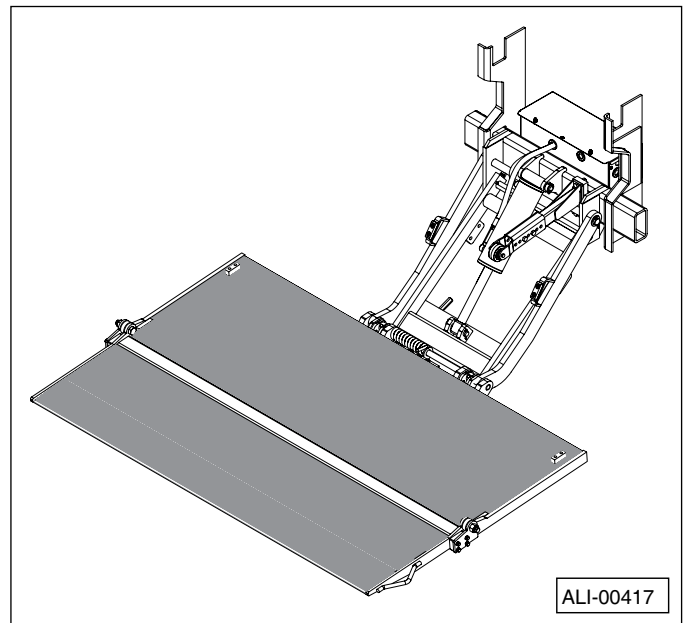
## 1. General Information Section

### 1.1 Introduction

Congratulations on selecting an Anthony Liftgates TuckUnder™ liftgate.

All Anthony tuckunder model liftgates are factory assembled, energized, and tested to ensure the highest quality performance standards. AST, AST-L, and AST-PLUS liftgates ship completely assembled for fast, clean, and easy installation.

To ensure your liftgate will perform to your expectations, we have provided this Installation Manual, which is designed to provide you with the necessary installation instructions and safety precautions for the installation of the AST, AST-L, or AST-PLUS TuckUnder™ liftgates.

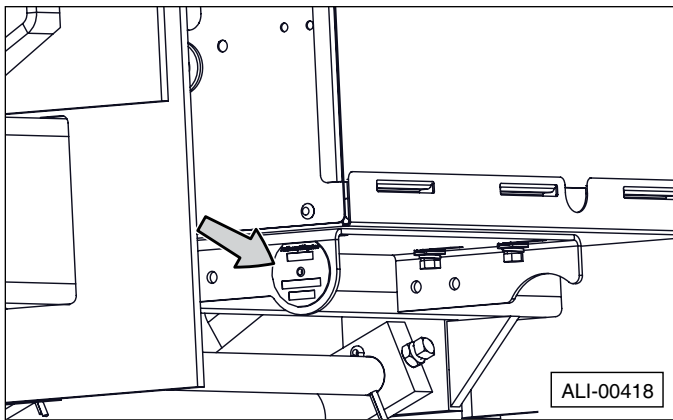


Typical Anthony Liftgates Tuckunder Model.

## 1.2 Serial Number

Before calling for warranty or other product information, have the serial number, model number, and lift capacity of your liftgate available. This information is stamped into the identification plate on the curbside of the pump box and will help us verify your warranty information and your specific liftgate.

Record the serial number, model number, date of installation, and load capacity in the Operation Manual for easy reference when contacting your authorized dealer with questions.



Location of Serial Number Identification Plate.

## 1.3 If Installation Help is Required

Anthony Liftgates manufactures high-quality liftgates that require very little maintenance or repair. However, should a part break, become damaged, or need replacement due to normal part wear, our knowledgeable dealers can make sure you receive the part(s) to put your liftgate back into operation.

# 2. Safety

## 2.1 Safety is Your Responsibility

It is the responsibility of the installer to understand proper installation and operating procedures. Be aware of the inherent dangers in the use of this product and the tools used to install it. Read and understand all Warnings, Cautions, Notices, Safety Instructions, and Notes in this manual, on the liftgate, or on the truck.

Also, refer to the Installation, Operation, or Maintenance Manuals for a more complete list of safety topics.

## 2.2 General Safety Rules

**WARNING** Do not work under the liftgate while it's in a raised position. Failure of the liftgate's structural components, while replacing parts, could cause serious crushing injuries.

For additional information on installation, in the form of a quick reference guide or installation video, refer to the AST TuckUnder™ liftgate website [www.anthonyliftgates.com](http://www.anthonyliftgates.com). To find the most current version of the reference material, choose LIFTGATES, TUCKUNDER™, AST or AST-L or AST-PLUS, and then DOWNLOADS.

If you have any doubts or questions about installation, call us. Before doing so, have the serial number, model number, and lift capacity of your liftgate available.

**Anthony Liftgates, Inc.**  
1037 West Howard Street  
Pontiac, Illinois 61764  
(815) 842-3383 or 800-482-0003

## 1.4 Replacement Safety Signs (Decals)

### SAFETY INSTRUCTIONS



To prevent the personal injury of the end user from not being aware of safety recommendations, the owner/operator must make sure all decals are attached to the liftgate and truck and are legible.

To ensure the greatest level of safety, all decals must be attached to specified replacement parts and be legible at all times. Remember, it is the users' or maintenance personnel's responsibility to make sure these decals are attached to the replacement parts.

For service or ordering replacement parts, contact an authorized dealer by going to [www.anthonyliftgates.com](http://www.anthonyliftgates.com) and selecting the FIND A DEALER tab. Enter your zip code to find the nearest authorized service location.



When installing replacement parts, wear appropriate personal protective equipment. This list may include, but is not limited to:

- A hard hat.
- Protective shoes with slip resistant soles.
- Protective goggles, glasses, or face shield.
- Protective clothing.



Do not attempt to install replacement parts under the influence of drugs or alcohol.



Do not install a replacement part if it's damaged. If you believe the part has a defect, which could cause it to work improperly, you should immediately stop the installation and remedy the problem before continuing.

**CAUTION**



Make sure the liftgate or truck will not be damaged or made unsafe by the installation of the replacement part.



Always use genuine, factory OEM replacement parts to restore the liftgate to its original specifications. Anthony Liftgates will not accept responsibility for damages as a result of using unapproved parts. If non-OEM replacement parts are used, the warranty will be voided.

**SAFETY INSTRUCTIONS**



Anthony Liftgates recommends not riding the liftgate;

however, if the operation requires it, make sure your footing is stable before raising or lowering the platform. Always stand away from the edge. When on the ground, always stand clear of the liftgate when it is operating.



To prevent injury, replacement parts should only be installed by a qualified installer having installation knowledge and skill.



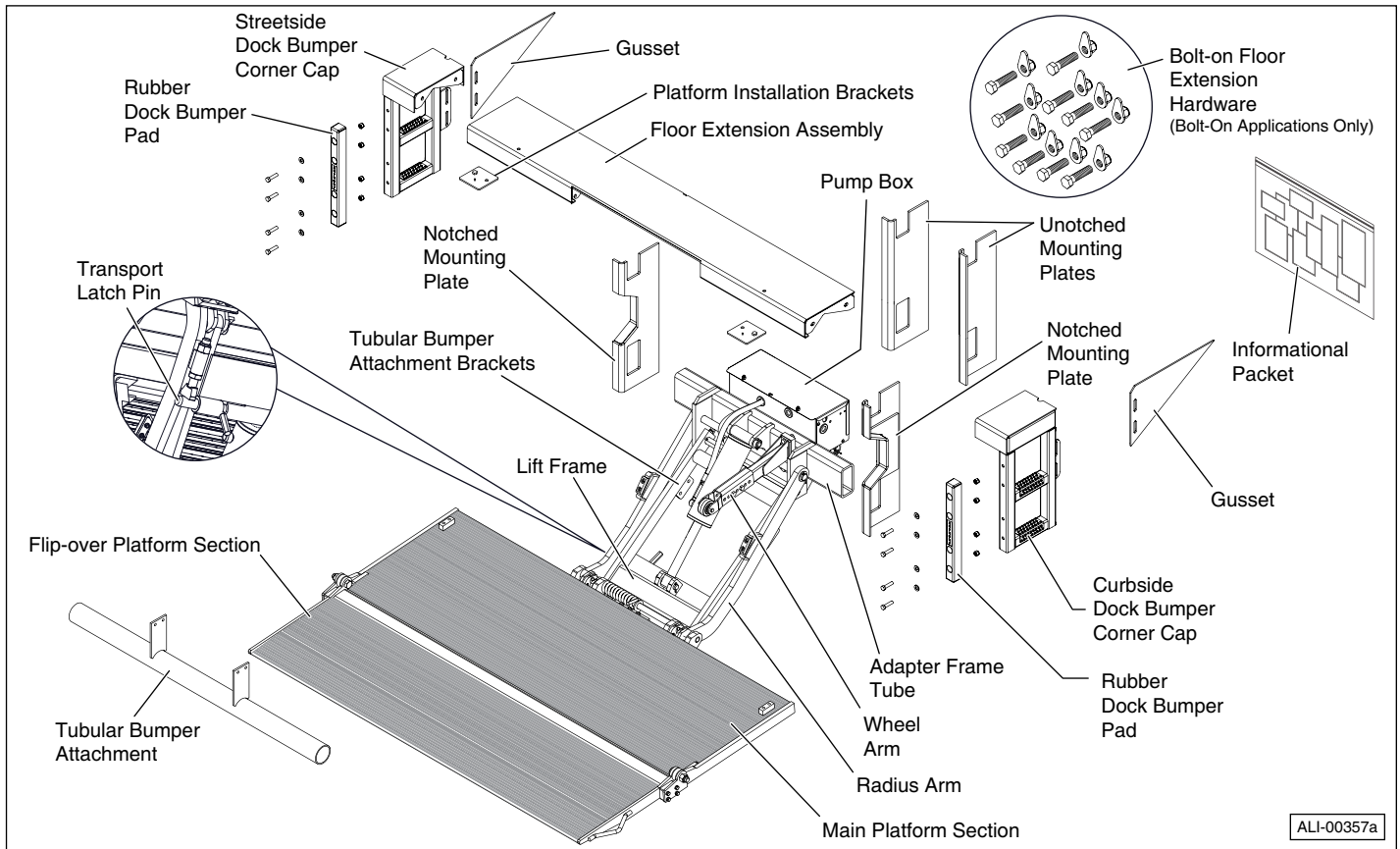
Do not modify safety devices. Unauthorized modifications may impair the liftgates function and/or safety features.



Make sure all replacement parts are in good working condition and properly installed.

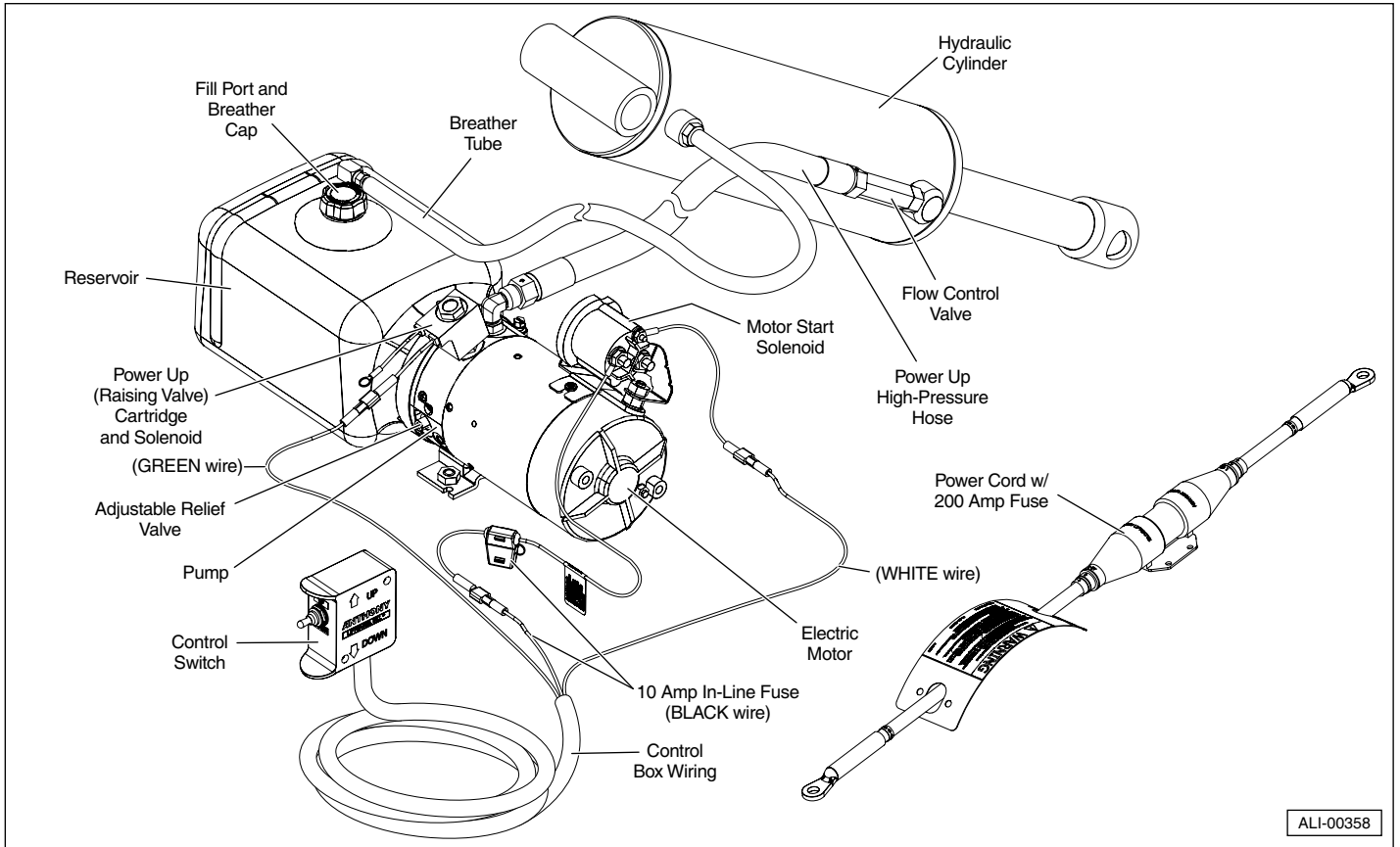
### 3. Nomenclature

#### 3.1 Platform Nomenclature

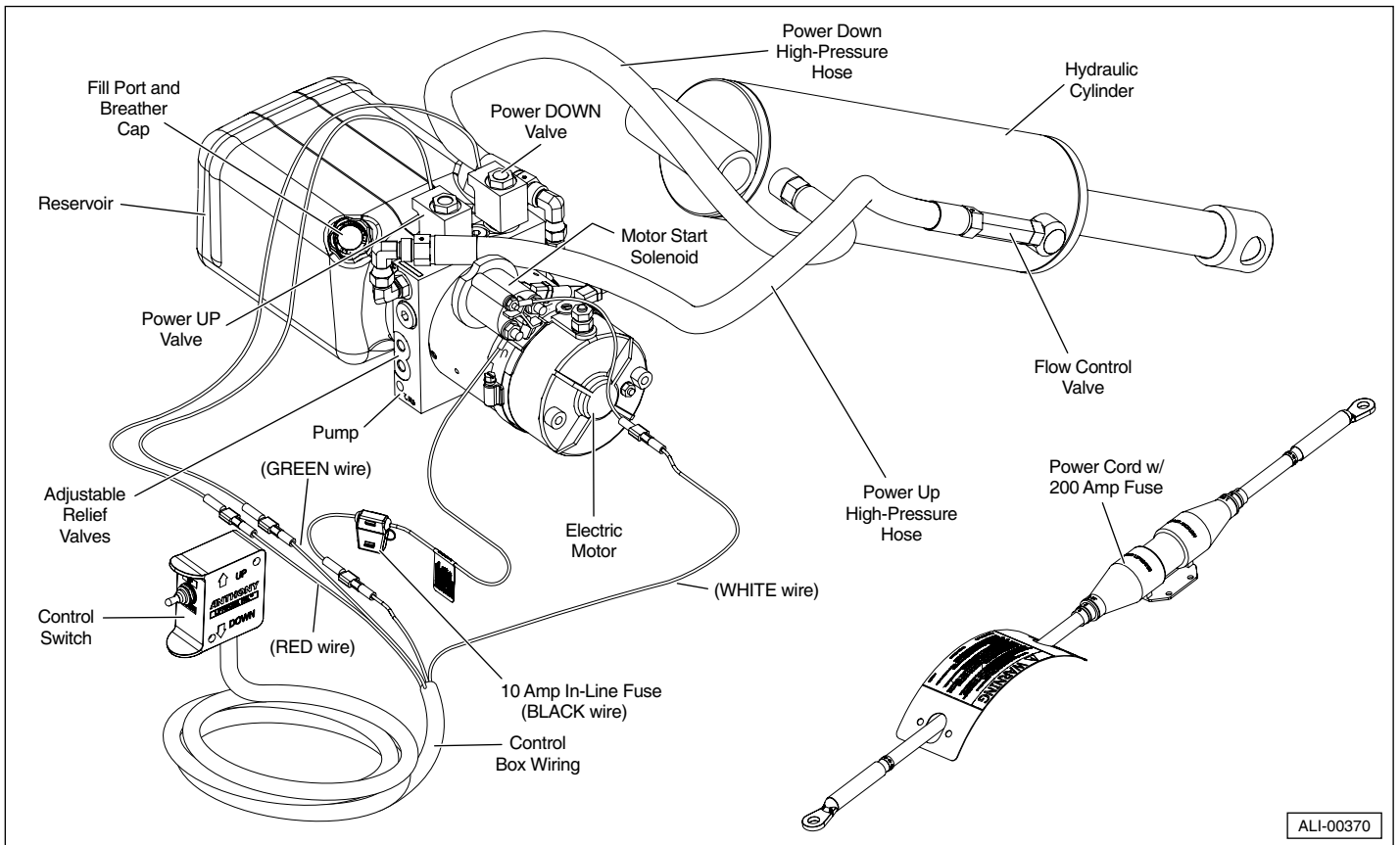




### 3.2 Gravity-Down Power Unit Nomenclature

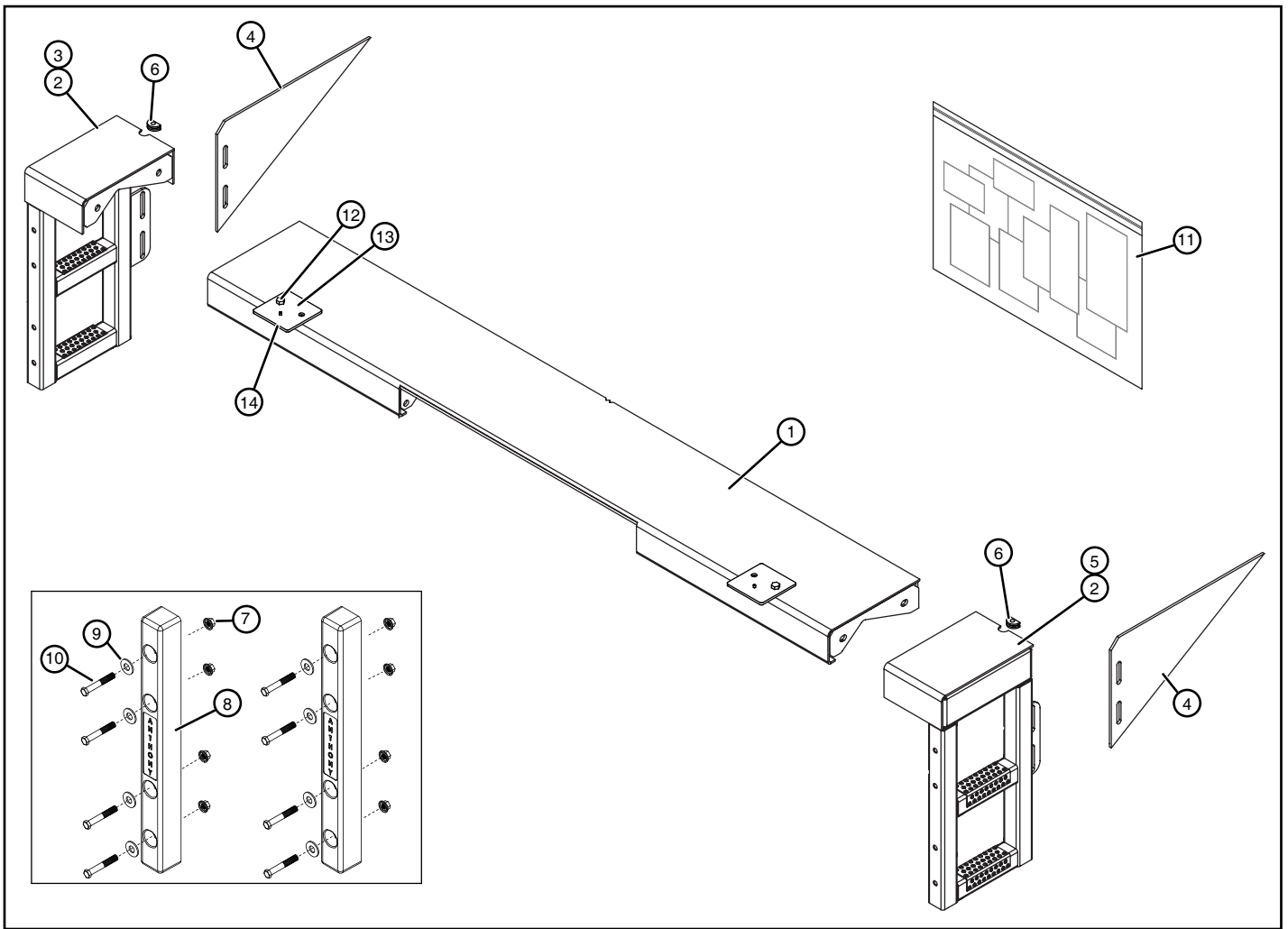


### 3.3 Power-Down Power Unit Nomenclature





## 4. Standard Floor Extension, Dock Bumpers, and Decals

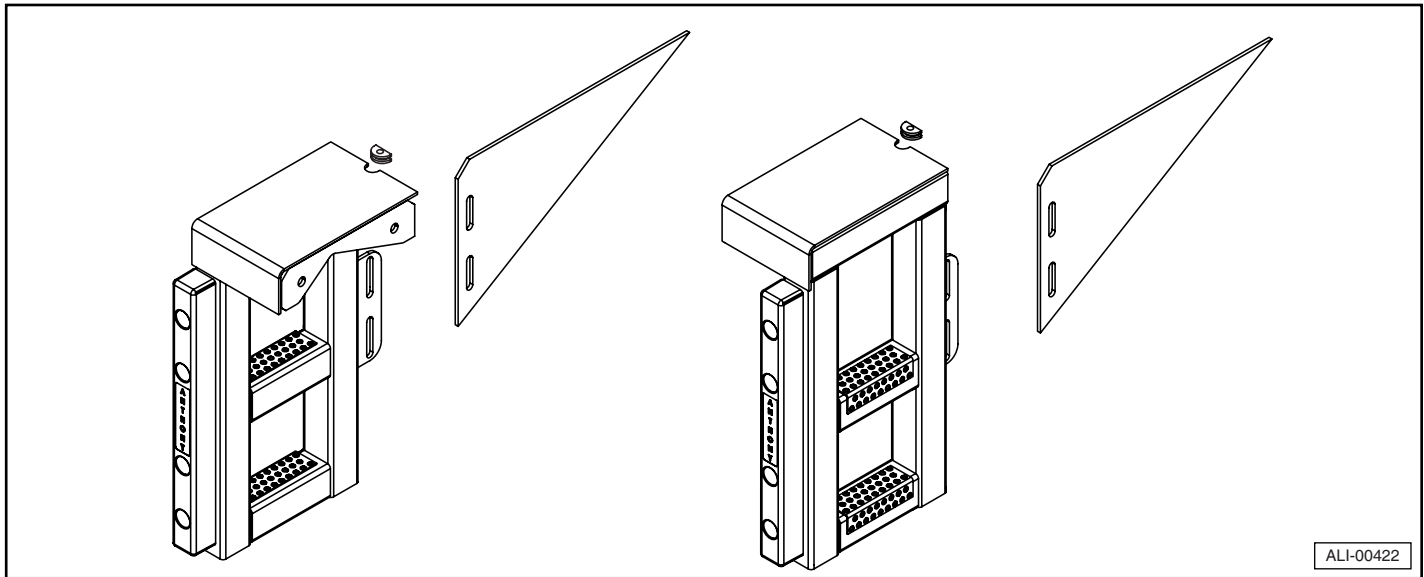


Item	Part Number	Description	Qty.
1	—	See Section 6 for complete list.	—
2	ATU-867	DOCK BUMPER SET WITH 20" PADS & GUSSETS (102" ONLY)	1
3	A-140063	WELDMENT, DOCK BUMPER, STREETSIDE	1
4	ATU-200	GUSSET, DOCK BUMPER	2
5	A-140062	WELDMENT, DOCK BUMPER, CURBSIDE	1
6	A-140116	GROMMET, RUBBER	2
7	A-132301	1/2-13 NYLOCK GR8 NUT ZP	8
8	ATU-798	PAD, DOCK BUMPER, 20"	2
9	A-150065	1/2" FLAT WASHER, ZP	8

Item	Part Number	Description	Qty.
10	ATU-259	1/2-13 X 2.0 GR8 HEX BOLT ZP	8
11	ATU-953	DECAL KIT - 1500 LB MODELS	1
	ATU-954	DECAL KIT - 1800 LB MODELS	
	ATU-955	DECAL KIT - 2000 LB MODELS	
	ATU-956	DECAL KIT - 2500 LB MODELS	
	ATU-957	DECAL KIT - 3000 LB MODELS	
ATU-958	DECAL KIT - 3500 LB MODELS		
12	A-132085	1/2-13 X 1.0 GR8 HEX BOLT	2
13	A-140959	INSTALL BRACKET W/M	2
14	3139	1/2-13 HEX NUT GR8 ZP	2



## 5. Dock Bumper Sets

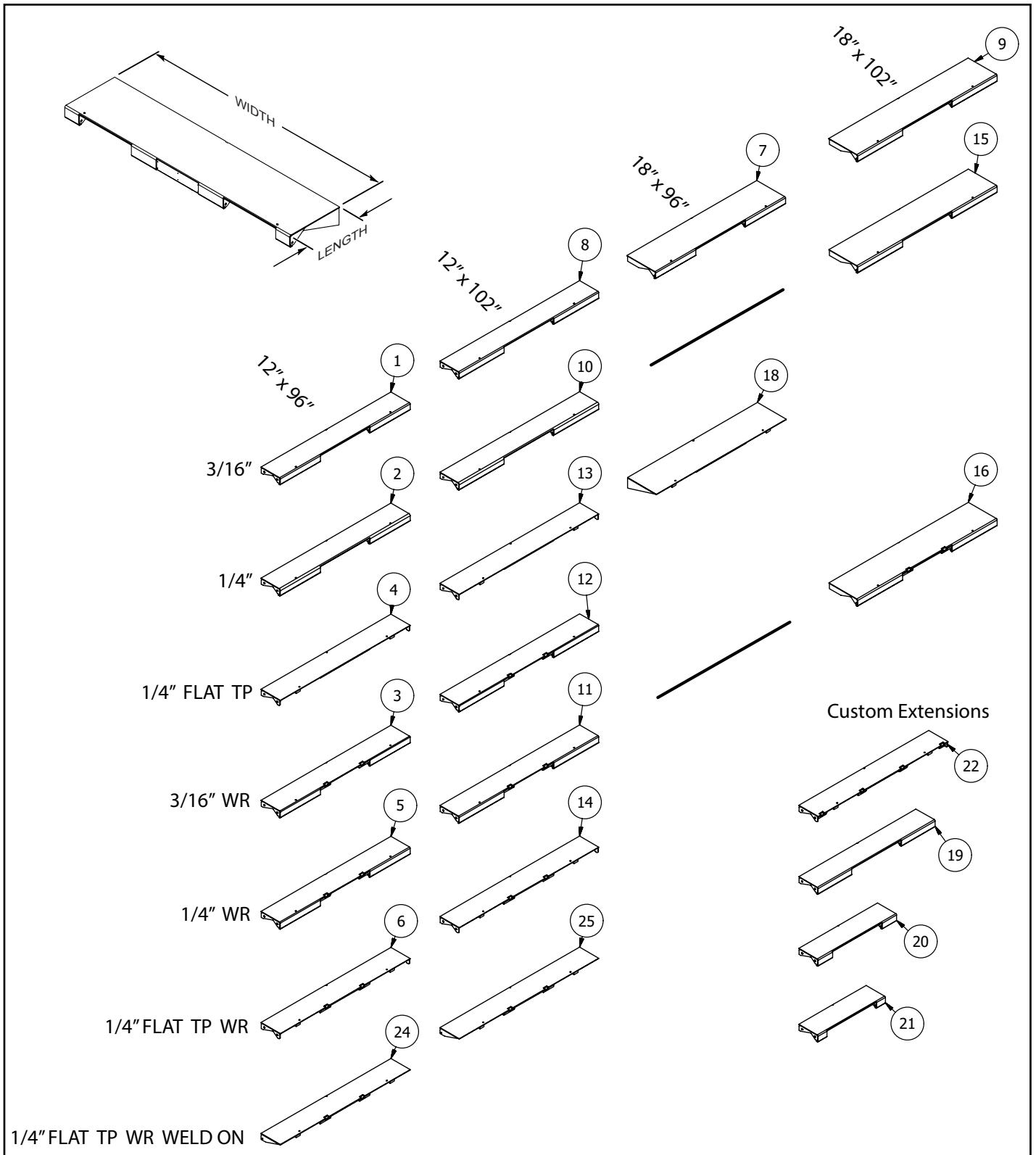


Part Number	Description	Qty.
ATU-984 *	DOCK BUMPER SET WITH PADS AND GUSSETS (96" ONLY)	1
ATU-1470 *	DOCK BUMPER SET WITH FLEXI-STEP, 8" PADS AND GUSSETS (96" ONLY)	
A-140772 *	DOCK BUMPER SET WITH PADS AND GUSSETS (96" ONLY)	
A-140548 *	XD DOCK BUMPER SET WITH UMHW PADS AND GUSSETS (96" ONLY)	
A-140547 *	XD DOCK BUMPER SET WITH FLEXI-STEP, UMHW PADS AND GUSSETS (96" ONLY)	
A-140793	DOCK BUMPER SET WITH EXTENSION PRE-WELDED, WITH PADS AND GUSSETS	
A-140920 *	DOCK BUMPER SET WITH PADS AND GUSSETS (96" ONLY)	
A-140452 *	DOCK BUMPER SET WITH PADS AND GUSSETS (96" ONLY) WALKRAMP	
A-140218 * or **	DOCK BUMPER SET WITH 8" PADS AND GUSSETS (102" ONLY)	
ATU-867 * or **	DOCK BUMPER SET WITH 20" PADS AND GUSSETS (102" ONLY)	
A-140897 *	DOCK BUMPER SET WITH UHMW PADS AND GUSSETS (102" ONLY)	
A-140681 *	XD DOCK BUMPER SET WITH 20" PADS AND GUSSETS (102" ONLY)	
A-140898 *	XD DOCK BUMPER SET WITH UHMW PADS AND GUSSETS (102" ONLY)	
A-140555 *	XD DOCK BUMPER SET WITH FLEXI-STEP, UMHW PADS AND GUSSETS (102" ONLY)	
A-140112 *	DOCK BUMPER SET WITH GUSSETS, NO PADS (102" ONLY)	
SG-1086	DOCK BUMPER SET WITH 8" PADS - SONAR COMPATIBLE (102" ONLY)	
A-140899	DOCK BUMPER SET WITH LIGHTS, PADS, AND GUSSETS (102" ONLY)	
A-140966	DOCK BUMPER SET FOR LIGHTS, PADS, AND GUSSETS (102" ONLY)	
A-140743 *	DOCK BUMPER SET WITH EXTENSION PRE-WELDED, WITH PADS AND GUSSETS	
A-140913 *	XD DOCK BUMPER SET WITH EXTENSION PRE-WELDED, WITH PAD AND GUSSETS	
A-140762 *	DOCK BUMPER SET WITH FLEXI-STEP, 20" PADS AND GUSSETS (102" ONLY)	
A-140939 *	DOCK BUMPER 1-STEP WITH FLEXI-STEP SET WITH PADS AND GUSSETS (102" ONLY) 12" DEEP	
A-140721 *	DOCK BUMPER SET WITH 20" PADS AND GUSSETS (102" ONLY) 18" DEEP	
A-140690 *	XD DOCK BUMPER SET WITH 20" PADS AND GUSSETS (102" ONLY) 18" DEEP	
A-140430 *	DOCK BUMPER SET WITH PADS AND GUSSETS (102" ONLY) 16" DEEP	
A-140940 *	DOCK BUMPER 1-STEP WITH FLEXI-STEP SET WITH PADS AND GUSSETS (102" ONLY) 16" DEEP	
A-141012 *	DOCK BUMPER SET WITH PADS AND GUSSETS (102" ONLY) 22" DEEP, 3-STEPS	

**Notes:** \* The part numbers with a single \* are also available in a galvanized finish. Add a (-G) at the end of the part number when ordering.

\*\* These parts are also available in stainless steel. Add a (-SS) at the end of the part number when ordering.

# 6. Floor Extensions

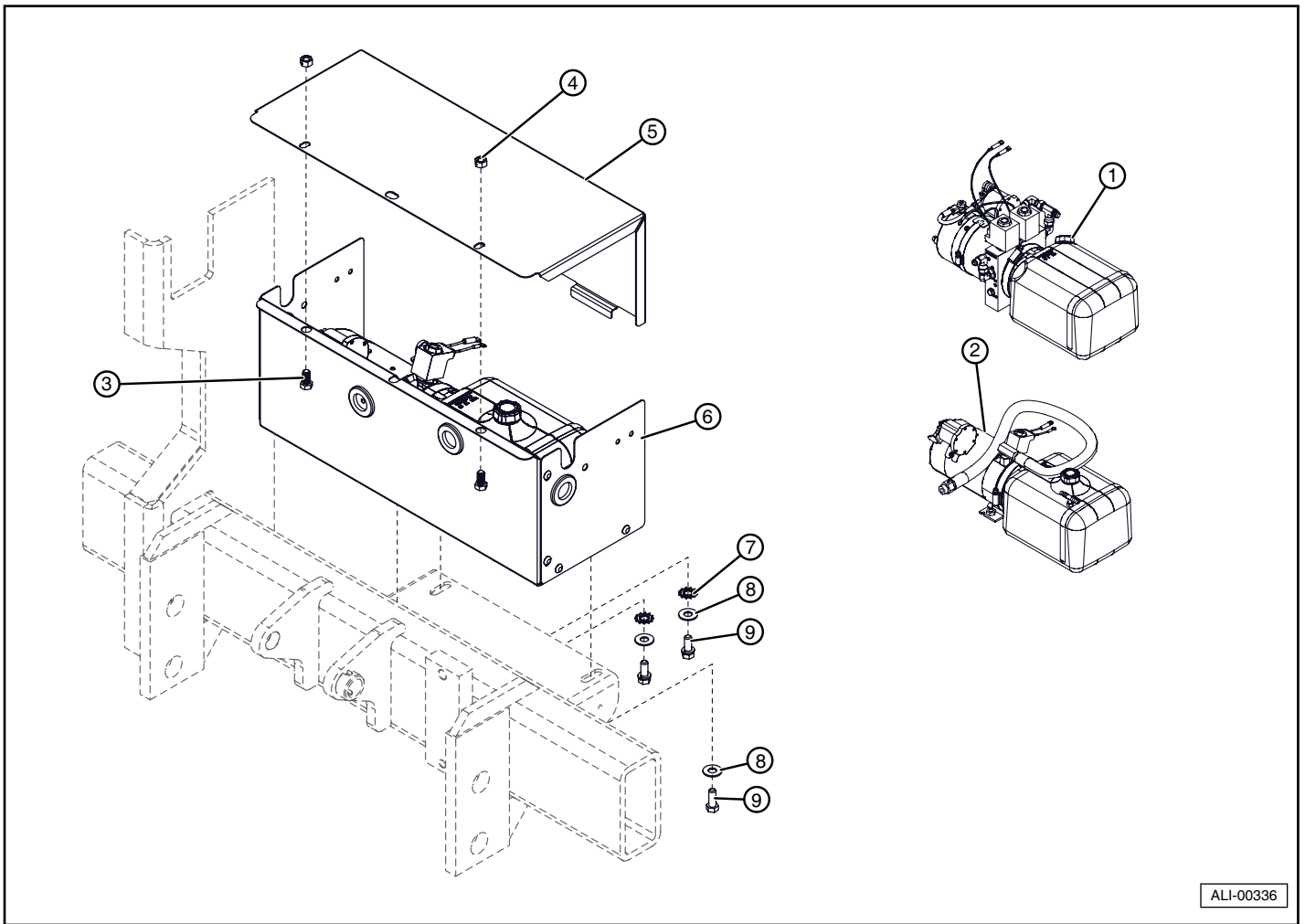


Item	Part Number	Description	Qty.
1	ATU-108	96" FLOOR EXTENSION WELDMENT (3/16" TREAD)	1
2	ATU-475	96" FLOOR EXTENSION WELDMENT (1/4" TREAD)	1
3	ATU-653	96" FLOOR EXTENSION WELDMENT (3/16" TREAD, WR)	
4	ATU-802	96" FLOOR EXTENSION WELDMENT (1/4" TREAD, AST)	1
5	ATU-936	96" FLOOR EXTENSION WELDMENT (1/4" TREAD, WR)	1
6	ATU-968	96" FLOOR EXTENSION WELDMENT (1/4" TREAD, WR AST)	1
7	ATU-1435	96" X 18" FLOOR EXTENSION W/M (3/16" TREAD)	1
8	ATU-494	102" FLOOR EXTENSION WELDMENT (3/16" TREAD)	1
9	ATU-1509	102" X 18" FLOOR EXTENSION W/M (3/16" TREAD)	1
10	ATU-735	102" FLOOR EXTENSION WELDMENT	1
11	ATU-937	102" FLOOR EXTENSION WELDMENT (1/4" TREAD, WR)	1
12	ATU-654	102" FLOOR EXTENSION WELDMENT (3/16" TREAD, WR)	1
13	ATU-803	102" FLOOR EXTENSION WELDMENT (1/4" TREAD, AST)	1
14	ATU-969	102" FLOOR EXTENSION WELDMENT (1/4" TREAD, AST)	1
15	ATU-1560	102" X 18" FLOOR EXTENSION W/M (1/4" TREAD)	1
16	ATU-1558	102" X 18" FLOOR EXT W/M (1/4" TREAD, WR)	1
18	ATU-1571	96" X 18" FLOOR EXT. W/M (1/4" TREAD, AST)	1
19	ATU-493	88" FLOOR EXTENSION WELDMENT (3/16" TREAD)	1
20	ATU-492	64" FLOOR EXTENSION WELDMENT (3/16" TREAD)	1
21	ATU-1241	57" FLOOR EXTENSION W/M (3/16" TREAD)	1
22	ATU-1574	96" FLOOR EXT. W/M (1/4" TREAD, MULTI-POS. WR AST)	1
24	ATU-968-W	96" FLOOR EXTENSION WELDMENT (1/4" TREAD, WR AST)	1
25	ATU-969-W	102" FLOOR EXTENSION WELDMENT (1/4" TREAD, WR AST)	1

**Notes:** \* The part numbers with a single \* are also available in a galvanized finish. Add a (-G) at the end of the part number when ordering.

Extension measurements are listed by length and then width (86" x 12"). Make sure the width of the extension matches the width of the dock bumpers. Whenever ordering replacement parts, compare the measurements of your liftgate extension with the measurements listed in the chart to determine the correct replacement part(s). If in doubt, contact the factory with model and serial number information to get the correct replacement part numbers.

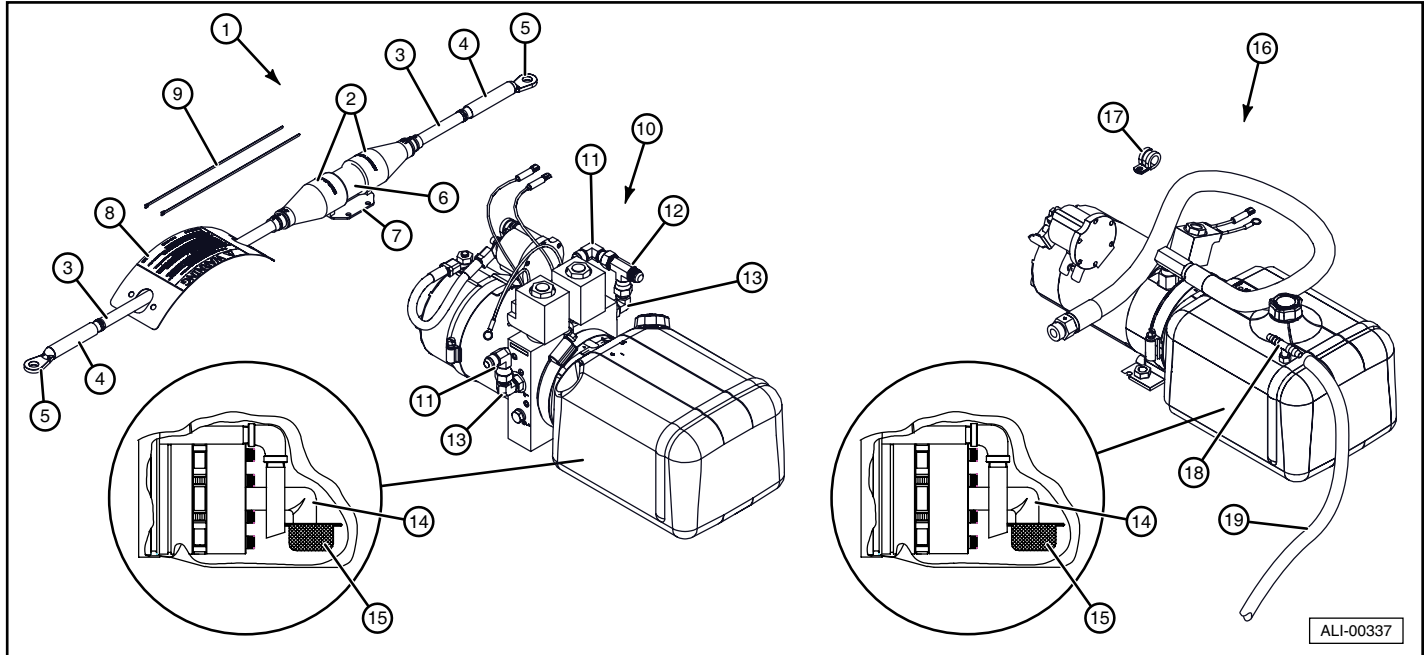
## 7. Pump Box Assembly



Item	Part Number	Description	Qty.
1	A-130117	POWER UNIT (POWER DOWN)	1
2	A-13050	POWER UNIT (GRAVITY DOWN)	1
3	764	3/8-16 X 3/4" H/H C/S GR.8 YZP	2
4	2064	3/8-16 REVERSIBLE HEX L/N ZP	2
5	ATU-533	PUMP BOX COVER	1
6	ATU-531	PUMP BOX RIVETED ASSEMBLY	1
7	A-132011	3/8" EXT HD STAR L/W ZP	2
8	2058	3/8 FLAT WASHER	4
9	874	3/8-16 X 1" H/H C/S GR.8 ZP	4

## 8. Hydraulic Power Pack

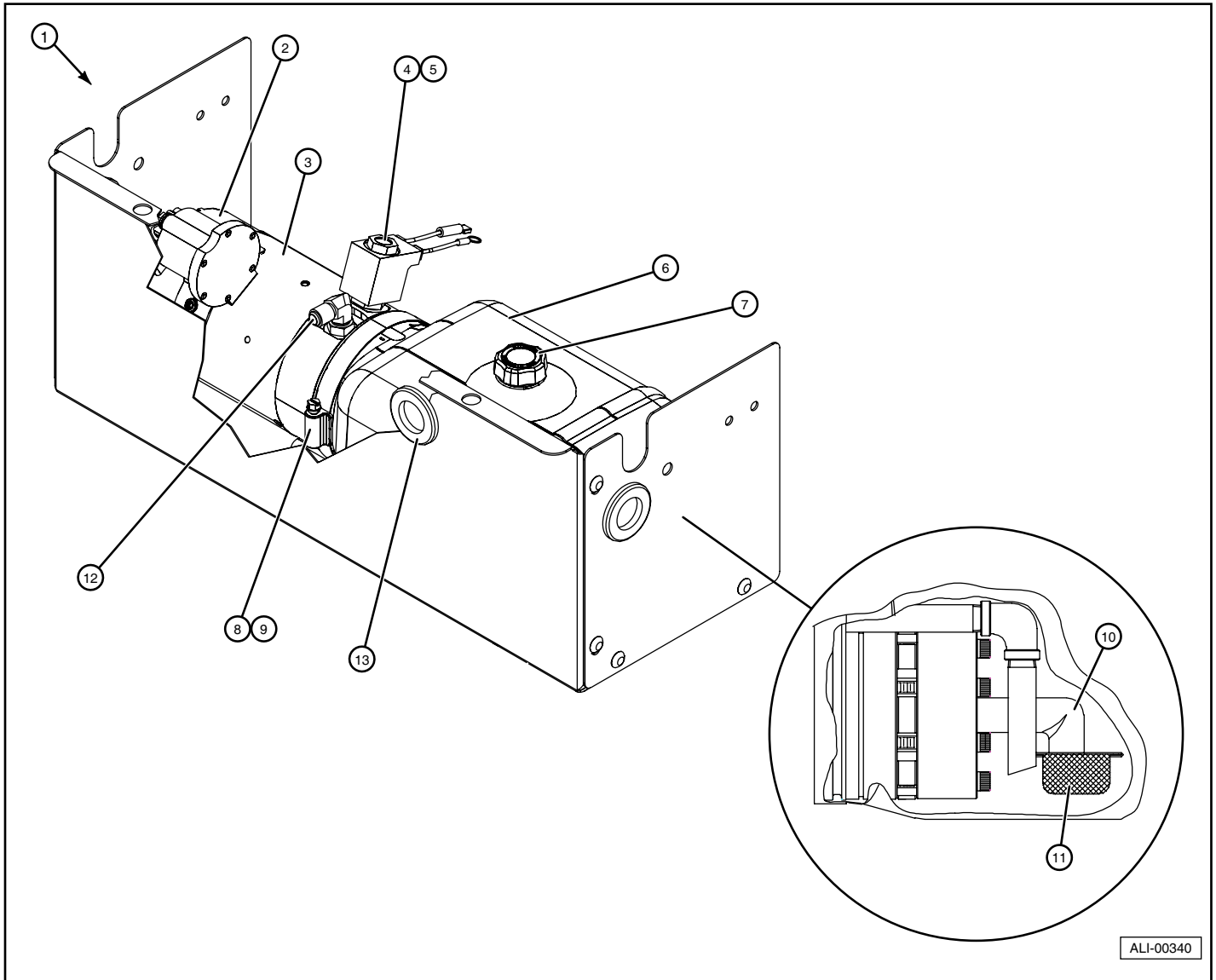
### 8.1 Pumps



Item	Part Number	Description	Qty.
1	A-133105	POWER CABLE WITH 200A FUSE ASSY	1
2	A-133048	BOOT, WEATHER SEAL, RUBBER	2
3	A-150608	#2 RED POWER CABLE (30" AND 30' PIECES)	1
4	A-150990	HEAT SHRINK TUBING	2
5	A-133003	3/8" ANTI-ROTATIONAL LUG	2
6	A-133063	FUSE, 200A	1
7	A-133062	FUSE HOLDER, IN-LINE	1
8	A-131036	WIRE DECAL: FUSE REPLACEMENT INSTRUCTIONS	1
9	A-132079	CABLE TIE, 8"	2
10	A-130117 A-130116	POWER PACK UNIT, COMPLETE, POWER DOWN POWER PACK UNIT, COMPLETE, GRAVITY DOWN	1
11	A-130142	FITTING: 90DEG ELBOW (MALE JIC#6 TO FEMALE JIC#6)	2
12	A-130153	TEE FITTING: 06MJ-06MJ-06FJ	1
13	A-130140	FITTING: 90DEG ADAPTER (MALE SAE#6 TO MALE JIC#6)	2
14	A-150015	FILTER NIPPLE	1
15	A-150016	FILTER SCREEN	1
16	A-130116	POWER UNIT (GRAVITY DOWN)	1
17	A-150470	CABLE CLAMP	1
18	A-130036	TEE FITTING, 1/4" BARBED	1
19	ATU-979	24" CLEAR PLASTIC RETURN LINE	1

## 9. Pump Assembly

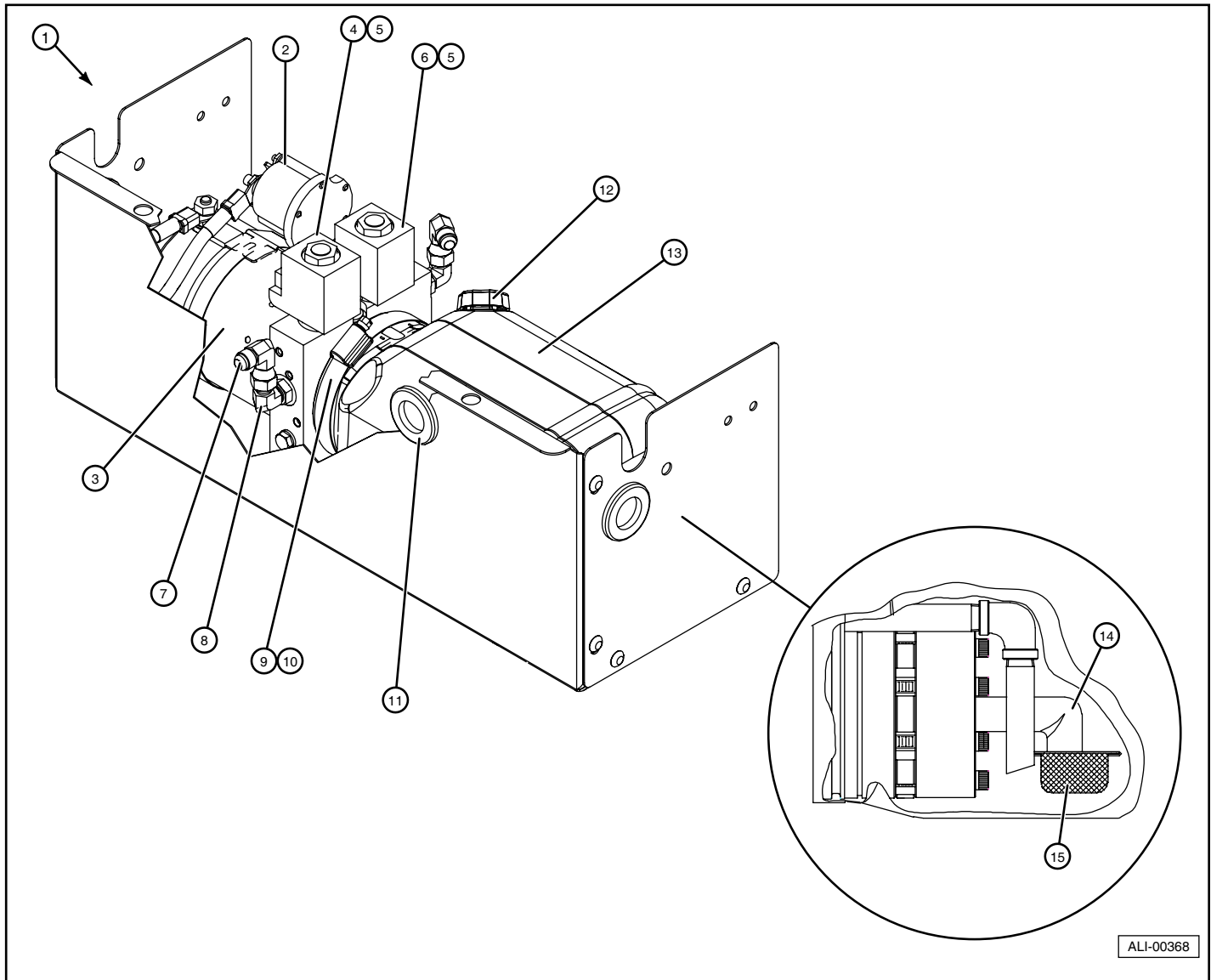
### 9.1 Pump Assembly - Gravity Down



Item	Part Number	Description	Qty.
1	A-130116	POWER PACK UNIT, COMPLETE, GRAVITY DOWN	1
2	ATU-120	SOLENOID RELAY, 12VDC MOTOR RUN	1
3	A-150018	MOTOR, 12VDC, NO THERMAL SWITCH	1
4	A-176315	COIL ONLY, 12VDC	1
5	A-130215	VALVE/12VDC COIL/CARTRIDGE COMBINATION (RAISE, TRIPLE O-RING, RED WIRE)	1
6	A-150635	RESERVOIR (INCLUDES FILLER/VENT CAP)	1
7	A-150546	FILLER/VENT CAP	1
8	ATU-565	RESERVOIR ATTACHMENT CLAMP	1
9	A-150019	RESERVOIR ATTACHMENT O-RING	1
10	A-150015	FILTER NIPPLE	1
11	A-150016	FILTER SCREEN	1
12	A-130142	FITTING: 90DEG ELBOW (MALE JIC#6 TO FEMALE JIC#6)	1
13	ATU-229	GROMMET FOR PUMP BOX	2



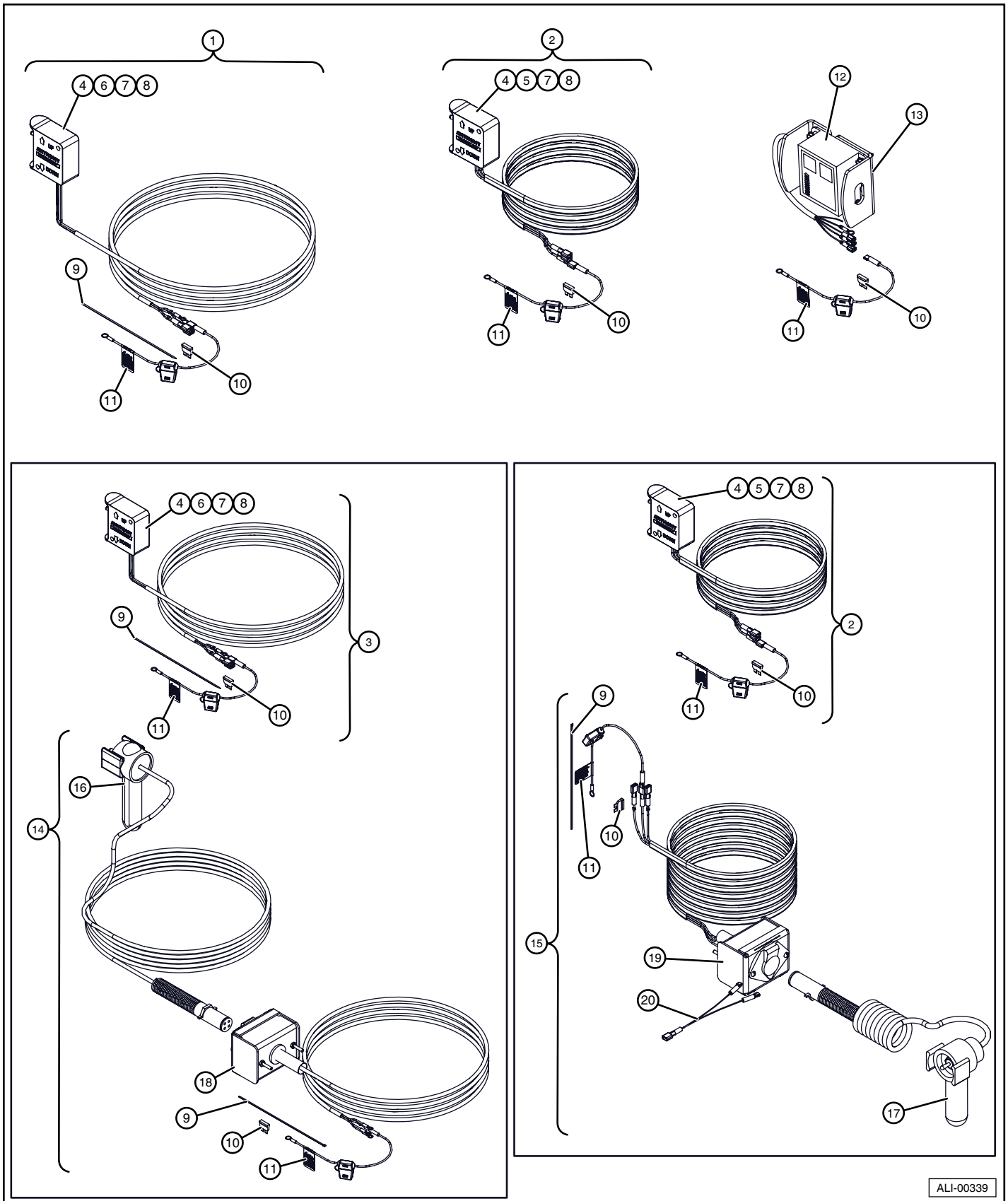
## 9.2 Pump Assembly - Power Down



ALI-00368

Item	Part Number	Description	Qty.
1	A-130117	POWER PACK UNIT, COMPLETE, POWER DOWN	1
2	ATU-120	SOLENOID RELAY, 12VDC MOTOR RUN	1
3	A-150018	MOTOR, 12VDC, NO THERMAL SWITCH	1
4	A-130216	VALVE/12VDC COIL/CARTRIDGE COMBINATION (LOWER, SINGLE O-RING, GREEN WIRE)	1
5	A-176315	COIL ONLY, 12VDC	2
6	A-130215	VALVE/12VDC COIL/CARTRIDGE COMBINATION (RAISE, TRIPLE O-RING, RED WIRE)	1
7	A-130142	FITTING: 90DEG ELBOW (MALE JIC#6 TO FEMALE JIC#6)	2
8	A-130140	FITTING: 90DEG ADAPTER (MALE SAE#6 TO MALE JIC#6)	1
9	ATU-565	RESERVOIR ATTACHMENT CLAMP	1
10	A-150019	RESERVOIR ATTACHMENT O-RING	1
11	ATU-229	GROMMET FOR PUMP BOX	2
12	A-150546	FILLER/VENT CAP	1
13	A-150635	RESERVOIR (INCLUDES FILLER/VENT CAP)	1
14	A-150015	FILTER NIPPLE	1
15	A-150016	FILTER SCREEN	1

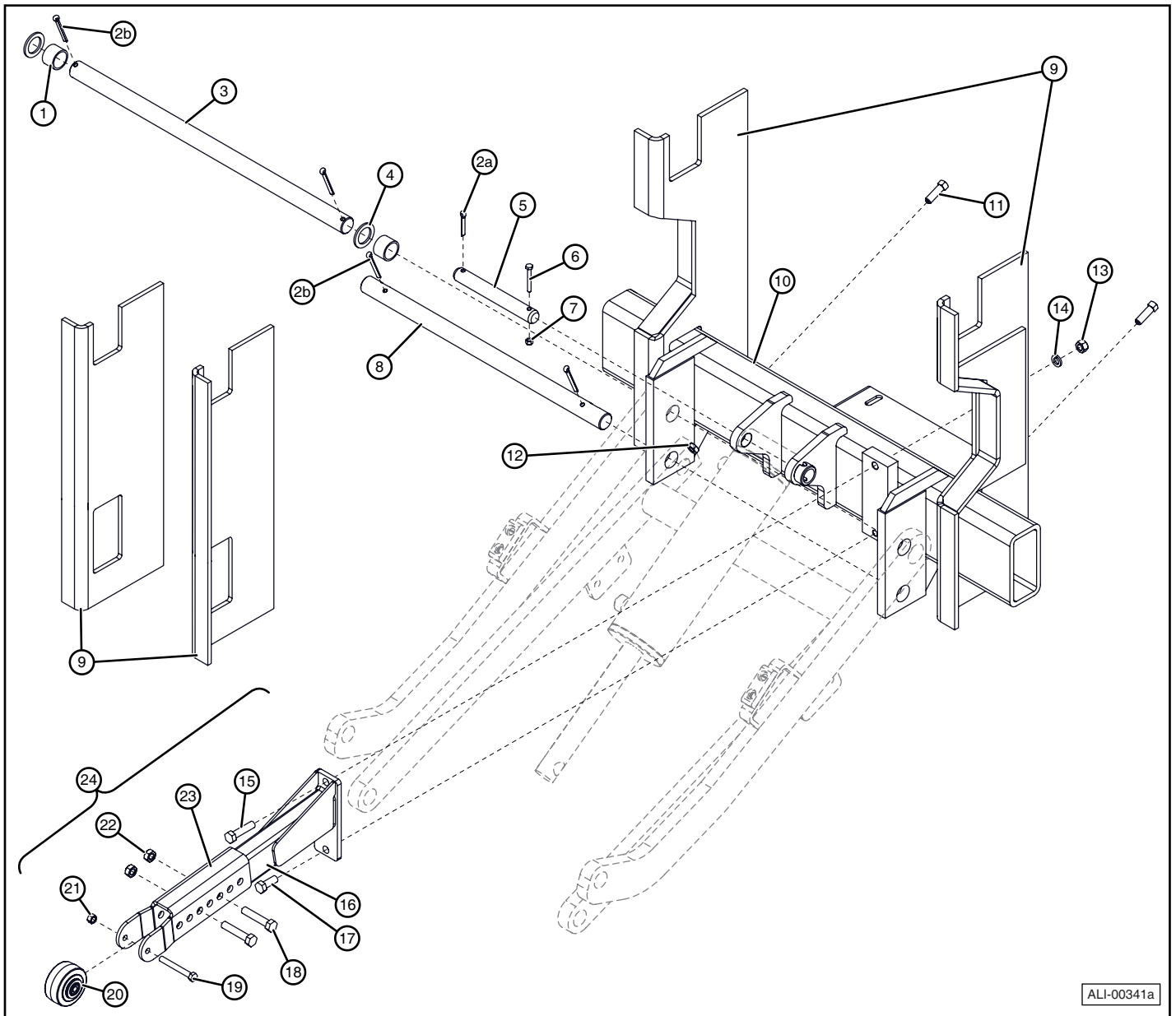
# 10. Pump Controls



ALI-00339

Item	Part Number	Description	Qty.
1	A-133553	SWITCH ASSY: GRAVITY DOWN SWITCH ASSY W/CABLE, PLASTIC BOX (2.5" X 3" X 1")	1
	ATU-1219	SWITCH ASSY: GRAVITY DOWN SWITCH ASSY W/CABLE, PLASTIC BOX (2.5" X 3" X 1") (OLD VERSION)	
2	A-133579	SWITCH ASSY: GRAVITY DOWN SWITCH ASSY W/CABLE, PLASTIC BOX (2.5" X 3" X 1")	1
3	ATU-1218	SWITCH ASSY: GRAVITY DOWN SWITCH ASSY W/CABLE, PLASTIC BOX (2.5" X 3" X 1") (OLD VERSION)	1
4	ATU-1221	SWITCH: NEW STYLE PLASTIC BOX AND SWITCH, NO CABLE	1
5	ATU-307	SWITCH ONLY: RAISE/LOWER TOGGLE (POTTED ASSY)	1
6	A-150477	SWITCH ONLY: RAISE/LOWER TOGGLE (POTTED ASSY)	1
7	ATU-1215	PLASTIC SWITCH BOX	1
8	A-133068	RUBBER SWITCH COVER	1
9	A-132079	CABLE TIE, 8"	1
10	A-150438	FUSE, 10A	1
11	A-131001	DECAL: 10A FUSE & HOLDER	1
12	A-133504	SWITCH — LOW VOLTAGE	1
13	ATU-786	MOUNTING BRACKET	1
14	A-133097	REMOTE CONTROL KIT, COMPLETE	1
15	A-133581	REMOTE CONTROL KIT, COMPLETE	1
16	ATU-250	REMOTE CONTROL HANDSET W/CABLE	1
17	AR-18-172	REMOTE CONTROL HANDSET W/CABLE	1
18	ATU-407	REMOTE CONTROL RECEPTACLE W/CABLE	1
19	A-133580	REMOTE CONTROL RECEPTACLE W/CABLE	1
20	A-133351	WIRE HARNESS	1
21	A-133350	WIRE HARNESS	1

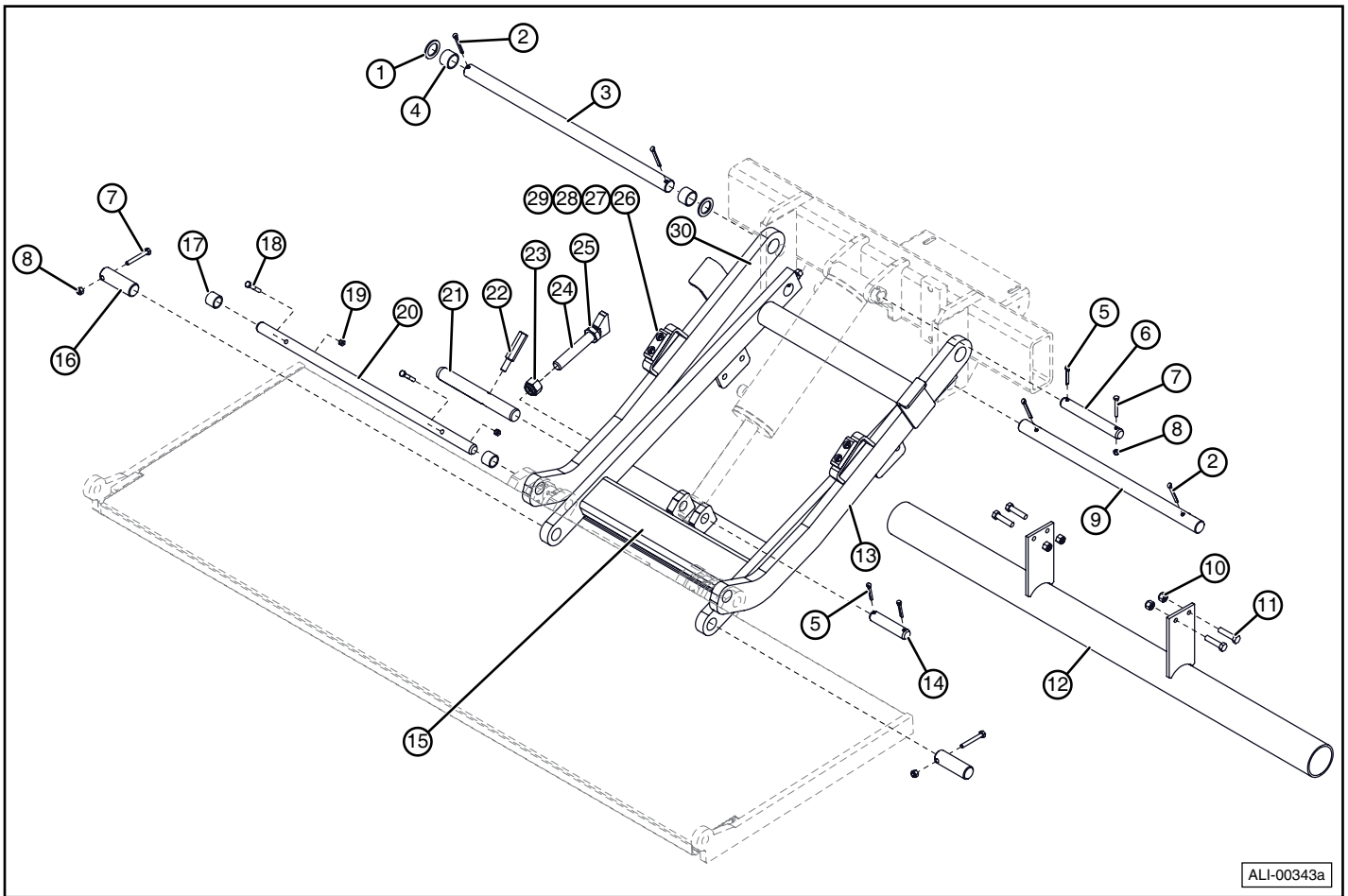
# 11. Adapter Frame Assembly



ALI-00341a

Item	Part Number	Description	Qty.
1	ATU-428	BUSHING 1.50 OD X 1.25 ID X 1.00	2
2a	A-132026	1/4" X 1-1/2" LG COTTER PIN, 18-8 SS	1
2b	A-132027	1/4" X 2-1/4" LG COTTER PIN, 18-8 SS	4
3	ATU-112	PIN, RADIUS ARM - 1500, 1800, 2000, & 2500 LBS. TUCKS	1
4	ATU-134	1-7/8" OD X 1-17/64" ID X 10 GA BUSHING	2
5	ATU-103	PIN, LIFTFRAME CYLINDER MOUNT	1
6	ATU-358	BOLT, 1/4"-20 x 2.0" H/C/S ZP	1
7	ATU-359	1/4-20 TOP L/N GR. C ZP	1
8	ATU-111	LIFTFRAME PIN	1
9	ATU-281 ATU-282	MOUNTING PLATE - LH MOUNTING PLATE - RY	1
10	ATU-056	ADAPTER FRAME TUBE	1
11	S-094005	BOLT	2
12	880	1/2 -13 HEX NUT GR8 ZP	2
13	3139	1/2 - 13 HEX NUT GR8 ZP	2
14	1691	1/2" LOCK WASHER	2
15	ATU-259	1/2-13 X 2" H/H C/S GR8 ZP	1
16	ATU-883	WHEEL ARM BASE	1
17	ATU-260	1/2-13 X 1.25 GR8 HEX BOLT	1
18	A-132112	1/2-13 X 2.50 GR8 HEX BOLT	2
19	A-132039	3/8-24 X 3" GRADE 8 BOLT	1
20	ATU-795	WHEEL	1
21	2184	3/8-24 LOCKNUT	1
22	A-132024	1/2-13 LOCKNUT	2
23	ATU-886	WHEEL ARM CHANNEL	1
24	ATU-881	WHEEL ARM ASSY (ARM WELDMENT, CHANNEL, WHEEL)	1

## 12. Lift Frame Assembly



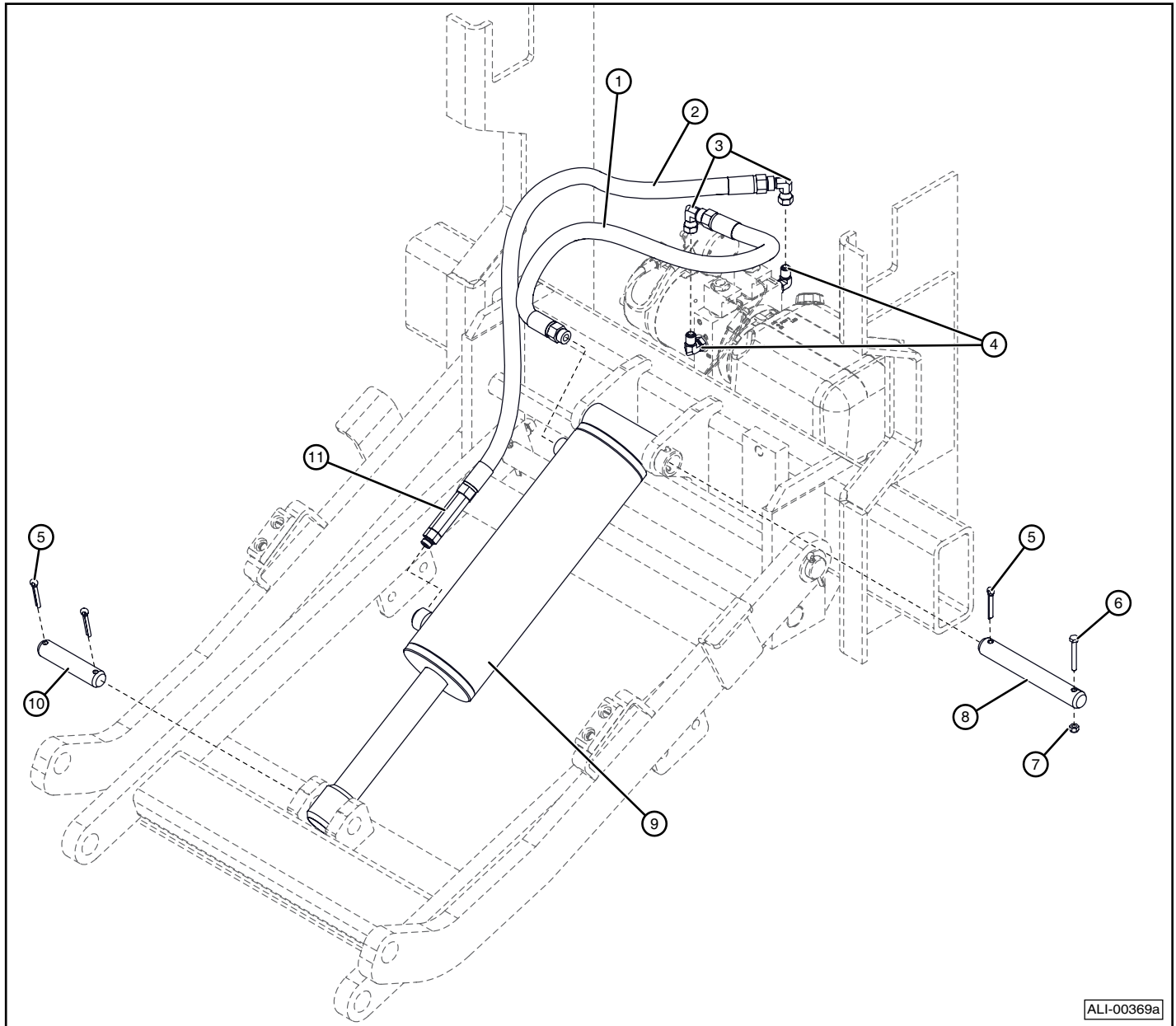
Item	Part Number	Description	Qty.
1	ATU-134	1-7/8" OD X 1-17/64" ID X 10 GA BUSHING	2
2	A-132027	1/4" X 2-1/4" LG COTTER PIN, 18-8 SS	4
3	ATU-112	RADIUS ARM PIN (1500, 1800, 2000, AND 2500), LONG	1
4	ATU-428	BUSHING 1.50 OD X 1.25 ID X 1.00	4
5	A-132026	COTTER PIN: 1/4" DIAM X 1.5" LONG, STAINLESS STEEL	3
6	ATU-102	PIN, CYLINDER DEAD END MOUNT	1
7	ATU-358	1/4-20 X 2" GRADE 8 BOLT	3
8	ATU-359	1/4-20 LOCKNUT	3
9	ATU-111	LIFT FRAME PIN	1
10	ATU-259	1/2-13 X 2" H/H C/S GR. 8 ZP	4
11	A-132301	1/2-13 NYLOCK GR8 NUT ZP	4
12	ATU-5163	ICC BUMPER ATTACHMENT W/M DCT	1
13	ATU-1583	RADIUS ARM ASSY RH W/ PLATFORM STOP	1
14	ATU-103	PIN: CYLINDER LOWER (DIAM: 1", 4.625" LONG)	1

Item	Part Number	Description	Qty.
15	ATU-036	LIFTARM FRAME	1
16	ATU-1485	CAM PLATE PIN	2
17	ATU-426	COMPOSITE BUSHING, 1" ID X 1.25" OD X 1" LONG	2
18	869	5/16-18 X 2" HEX BOLT	2
19	862	5/16-18 LOCKNUT	2
20	ATU-104	PIN - PLATFORM AND CAMS	1
21	ATU-556	PIN LOCK - LATCH	1
22	ATU-557	HANDLE - LATCH	1
23	A-132342	1"-8 Gr.8 NYLOCK	1
24	ATU-5206	DCT ADJUSTMENT BOLT WELDMENT-GATE LATCH	1
25	A-132337	1"-8 JAM NUT	1
26	2029	1/4-20 FLANGED L/N ZP	4
27	2051	1/4" F/W ZP	4
28	S-047004	1/4-20 X 1" SLOTTED RDHD M/S ZP	4
29	A-140090	WEAR PAD/BUMPER	2
30	ATU-1584	LH RADIUS ARM W/ BUSHINGS (2500# UP)	1



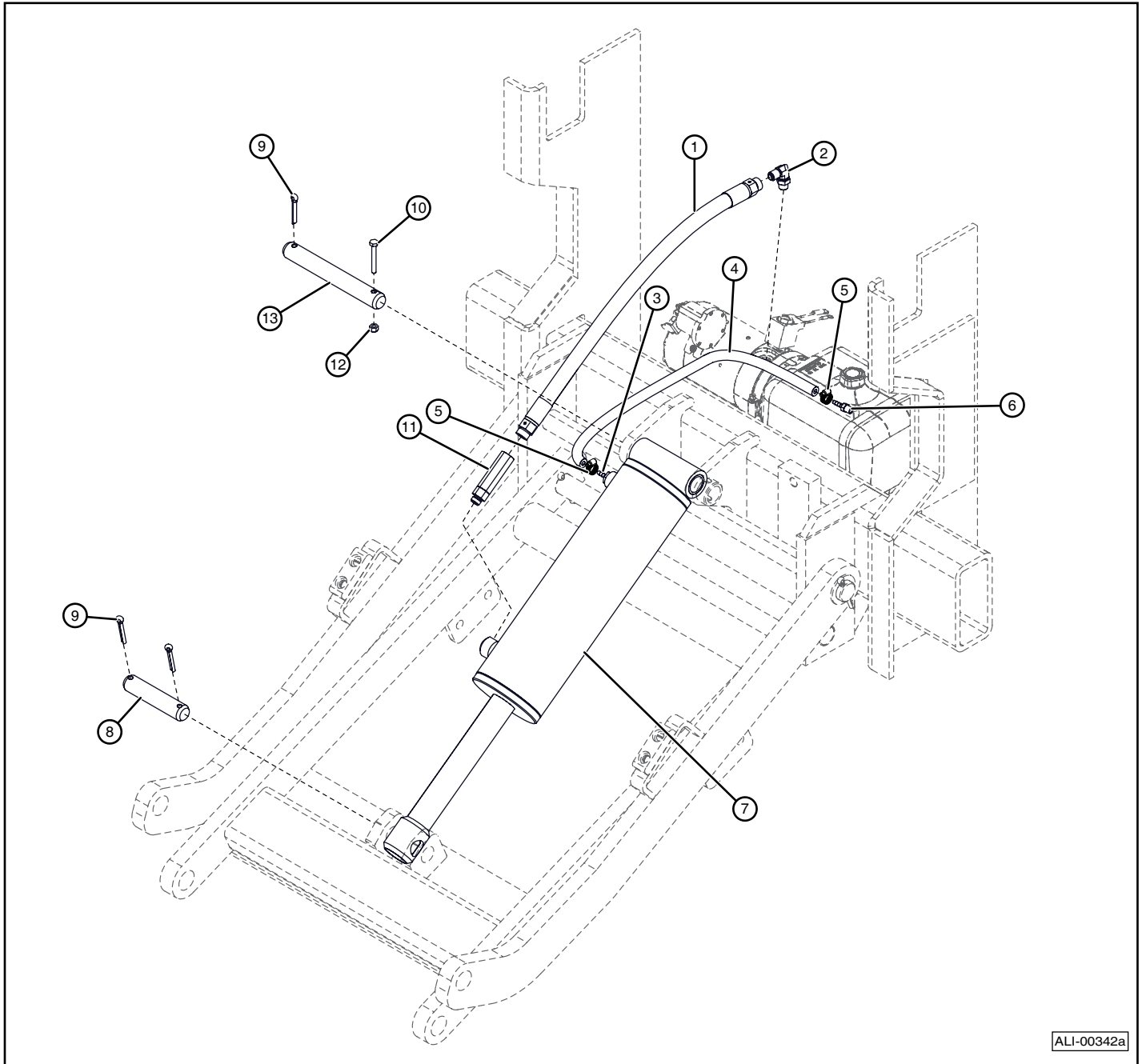
# 13. Hydraulic System

## 13.1 Power Down Assembly



Item	Part Number	Description	Qty.
1	A-130213	HOSE, 3/8" ID	1
2	A-130131	HOSE - 30" LG., 3/8" ID	1
3	A-130142	FITTING: 90DEG ELBOW (MALE JIC#6 TO FEMALE JIC#6)	2
4	A-130140	FITTING: 90DEG ADAPTER (MALE SAE#6 TO MALE JIC#6)	2
5	A-132026	1/4" X 1-1/2" LG COTTER PIN, 18-8 SS	3
6	ATU-358	1/4"-20 x 2.0" H/C/S ZP	1
7	ATU-359	1/4-20 TOP L/N GR. C ZP	1
8	ATU-102	PIN, CYLINDER DEAD END MOUNT	1
9	A-130114	CYLINDER 4" BORE X 10.75" STROKE, 3300#	1
10	ATU-103	PIN, LIFTFRAME CYLINDER MOUNT	1
11	A-130101	RESTRICTOR VALVE (2.25 GPM, 4000-6000LB CAPACITY)	1

## 13.2 Gravity Down Assembly

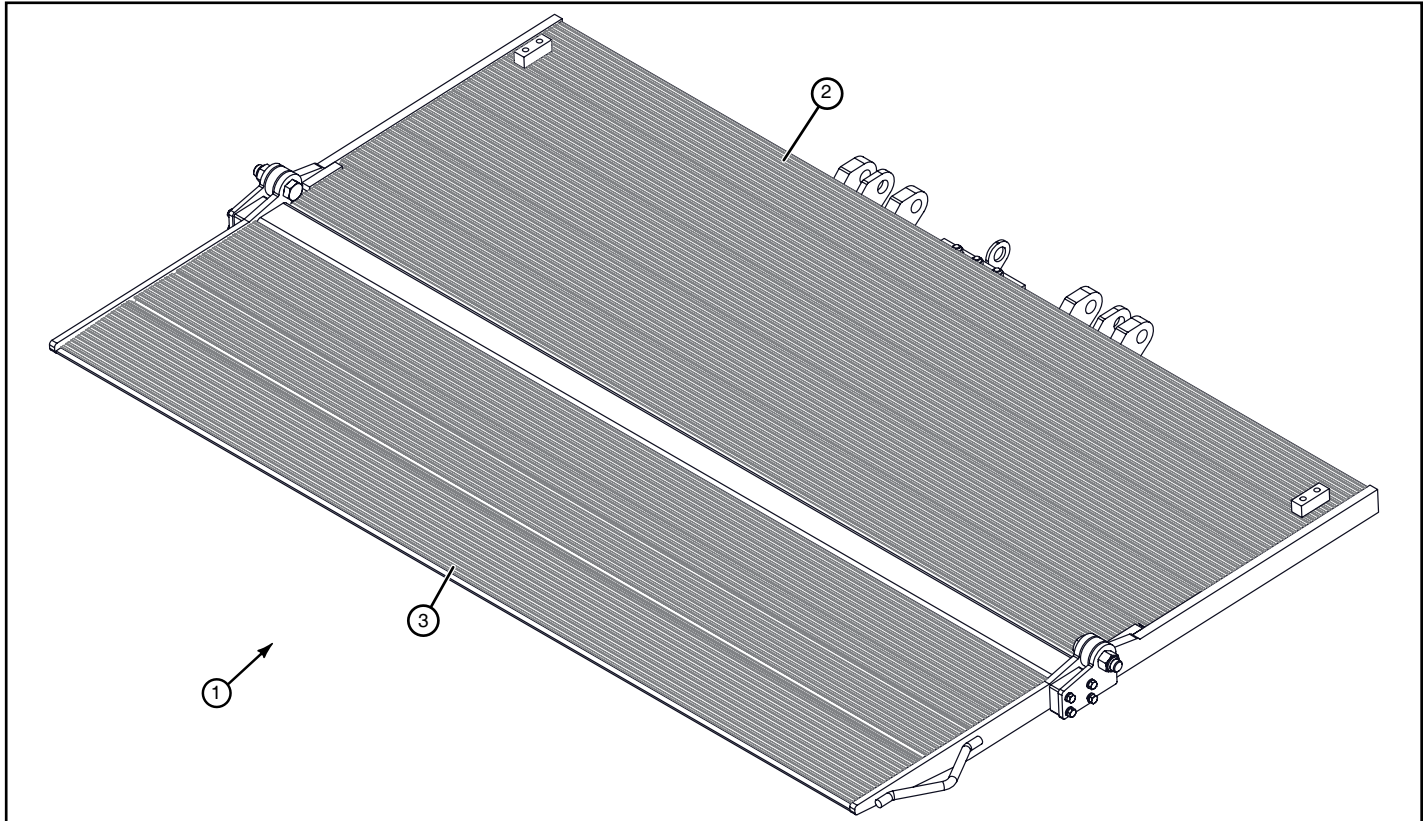
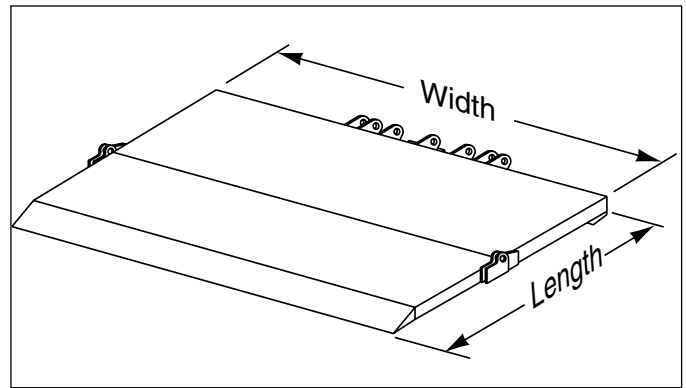


ALI-00342a

Item	Part Number	Description	Qty.
1	A-130110	HYDRAULIC HOSE 3/8 ID	1
2	A-130140	FITTING: 90DEG ADAPTER (MALE SAE#6 TO MALE JIC#6)	1
3	A-130143	FITTING, BARBED (MALE SAE #6 TO 3/16" BARB) USED IN CYLINDER PORT OF GRAVITY DOWN	1
4	ATU-979	CLEAR PLASTIC HOSE, PER INCH (1/4")	1
5	A-130392	CLAMP, HYDRAULIC HOSE	2
6	ATU-124	FITTING: HOSE BARB 06MORB TO 1/4 HOSE	1
7	A-130114	HYDRAULIC CYLINDER ASSY 4000-6000LB CAPACITY, INCL. BUSHINGS	1
8	ATU-103	PIN, LIFTFRAME CYLINDER MOUNT	1
9	A-132026	1/4" X 1-1/2" LG COTTER PIN, 18-8 SS	3
10	ATU-358	1/4"-20 x 2.0" H/C/S ZP	1
11	A-130101	RESTRICTOR VALVE (2.25 GPM, 4000-6000LB CAPACITY)	1
12	ATU-359	1/4-20 TOP L/N GR. C ZP	1
13	ATU-102	PIN, CYLINDER DEAD END MOUNT	1

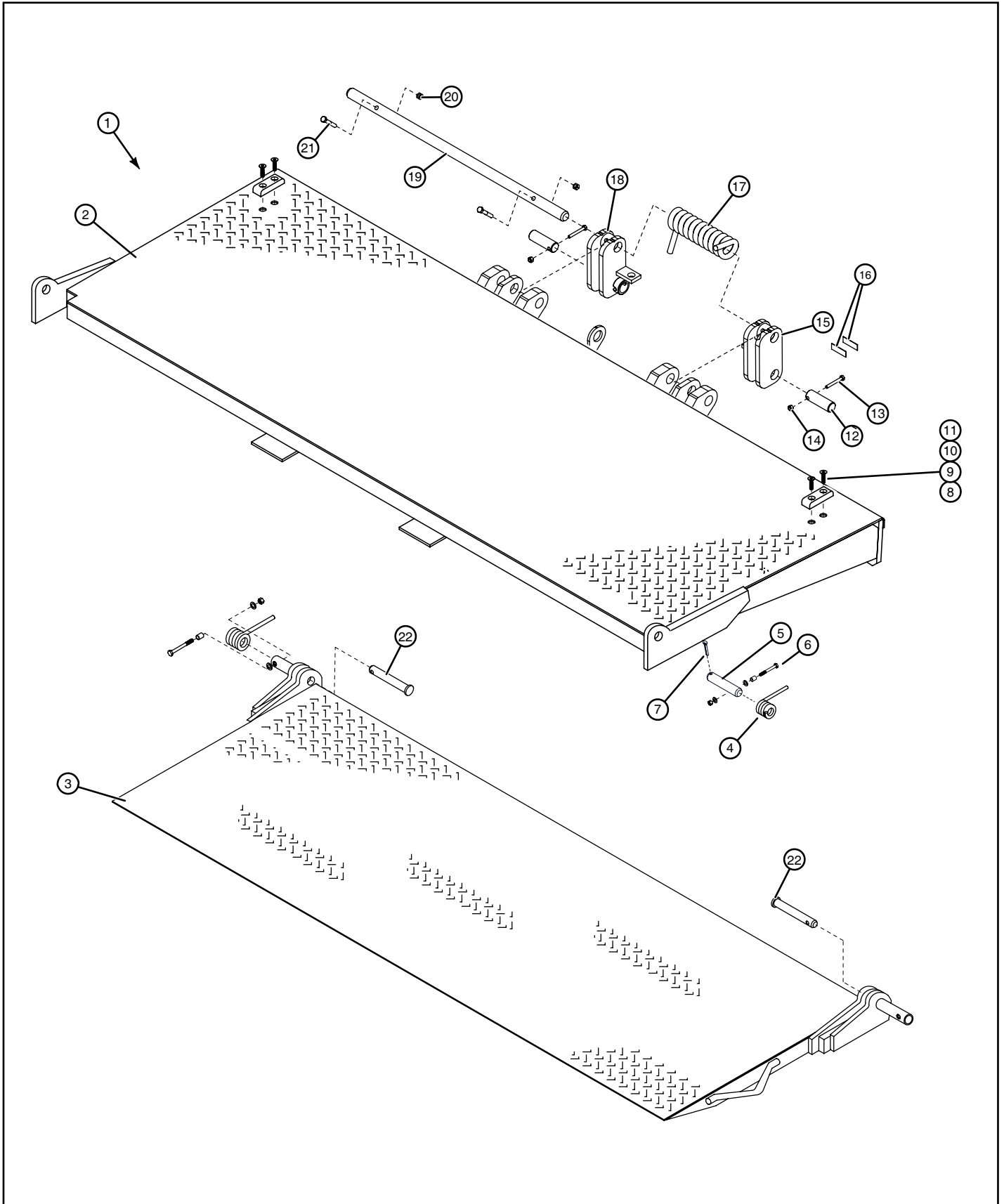
## 14. Platform Assemblies

Platform measurements are listed by length and then width (80" x 50") which represent the combined size of the liftgate platform (main platform plus flipover platform) and not the size of the individual parts. Whenever ordering replacement parts, compare the measurements of your liftgate with the measurements listed in the chart to determine the correct replacement part(s). If in doubt, contact the factory with model and serial number information to get the correct replacement part numbers.



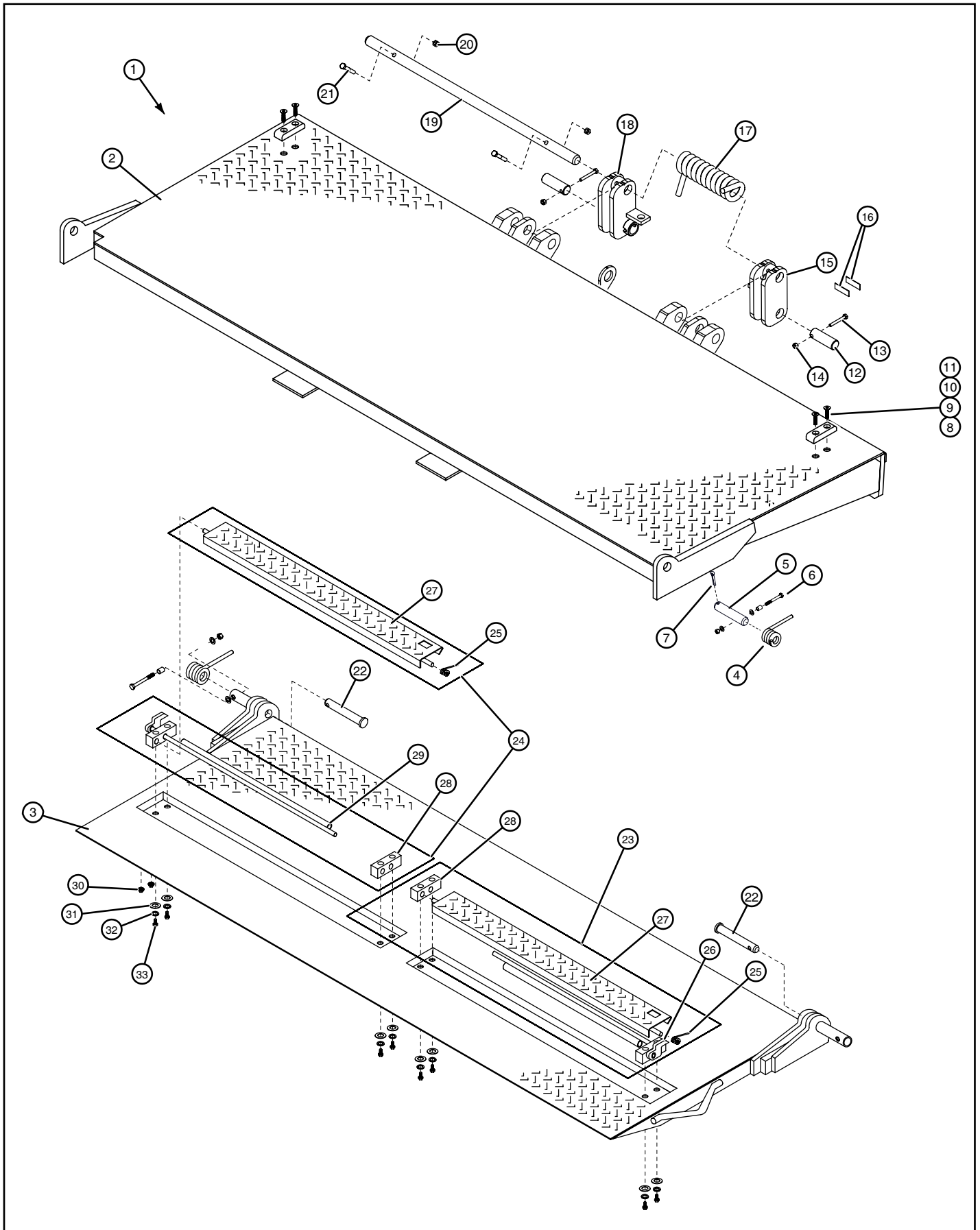
Item	Part Number	Description	Qty.
1	ATU-801	STEEL PLATFORM ASSEMBLY, COMPLETE, 80" X 50" STEEL WEDGE	1
2	ATU-809	STEEL PLATFORM MAIN SECT, 80 X 50 WEDGE, 80 X 45 + 6 RAMPED, & 80 X 48 + 12 ARR PLATFORM	1
3	ATU-810	STEEL PLATFORM FLIP SECTION, 80" X 50" STEEL WEDGE	1
1	ATU-1402	ALUMINUM PLATFORM ASSEMBLY, COMPLETE, 80" X 50" ALUMINUM WEDGE	1
2	ATU-1379	ALUMINUM PLATFORM MAIN SECTION, 80 X 45 + 6 ALUMINUM RAMPED, OR 80 X 50 ALUMINUM WEDGE PLATFORM	1
3	ATU-1398	ALUMINUM PLATFORM FLIP SECTION, 80" X 50" ALUMINUM WEDGE PLATFORM	1
1	SG-897	STEEL PLATFORM, 80" X 50" STEEL WEDGE WITH CART STOPS	1
2	ATU-809	STEEL PLATFORM MAIN SECT, 80 X 50 WEDGE, 80 X 45 + 6 RAMPED, & 80 X 48 + 12 ARR PLATFORM	1
3	SG-897-01	STEEL PLATFORM FLIP SECTION, 80" X 50" STEEL WEDGE WITH CART STOPS	1
1	ATU-1403	ALUMINUM PLATFORM ASSEMBLY, COMPLETE, 80" X 50" ALUMINUM WEDGE W DUAL CART STOPS	1
2	ATU-1379	ALUMINUM PLATFORM MAIN SECTION, 80 X 45 + 6 ALUMINUM RAMPED, OR 80 X 50 ALUMINUM WEDGE PLATFORM	1
3	ATU-1391	ALUMINUM PLATFORM FLIP SECTION, 80" X 50" ALUMINUM WEDGE PLATFORM WITH CART STOPS	1

# 14.1 ATU-801 Steel Platform Assembly



Item	Part Number	Description	Qty.
1	ATU-801	STEEL PLATFORM ASSEMBLY, COMPLETE, 80" X 50" STEEL WEDGE	1
2	ATU-809	STEEL PLATFORM MAIN SECTION, 80 X 50 WEDGE, 80 X 45 + 6 RAMPED, AND 80 X 48 + 12 ARR PLATFORM	1
3	ATU-810	STEEL PLATFORM FLIP SECTION, 80" X 50" STEEL WEDGE	1
4	ATU-326-M	SPRING, PLATFORM ASSIST - FLIP TO MAIN	2
5	ATU-647	PIN	2
6	ATU-944	FASTENER KIT	2
a	A-131146	3/8-24 X 2.5" BOLT	2
b	A-1321150	SPACER	2
c	A-132251	M10 FLAT WASHER	4
d	2184	3/8-16 LOCKNUT	2
7	A-132026	COTTER PIN: 1/4" DIAM X 1.5" LONG, STAINLESS STEEL	2
8	A-140090	BUMPER PAD	2
9	2051	1/4" FLAT WASHER	4
10	S-047004	1/4-20 X 1" SLOTTED ROUND HEAD BOLT	4
11	2029	1/4-20 FLANGED LOCKNUT	4
12	ATU-1485	CAM PLATE PIN	2
13	ATU-358	1/4-20 X 2" GRADE 8 BOLT	2
14	ATU-359	1/4-20 LOCKNUT	2
15	ATU-704	50" WEDGE CAM ASSY. 4-3/4" RH	1
16	ATU-071	14GA SHIM FOR LEVELING STEEL PLATFORMS	—
17	ATU-140070 ATU-140071	SPRING - MAIN PLATFORM RH SPRING - MAIN PLATFORM LH)	1
18	ATU-705	50" WEDGE CAM ASSY. 4-3/4" LH	1
19	ATU-104	PIN - PLATFORM AND CAMS	1
20	862	5/16-18 LOCKNUT	2
21	869	5/16-18 X 2" HEX BOLT	2
22	ATU-647	PIN: FLIP TO MAIN PLATFORM	2

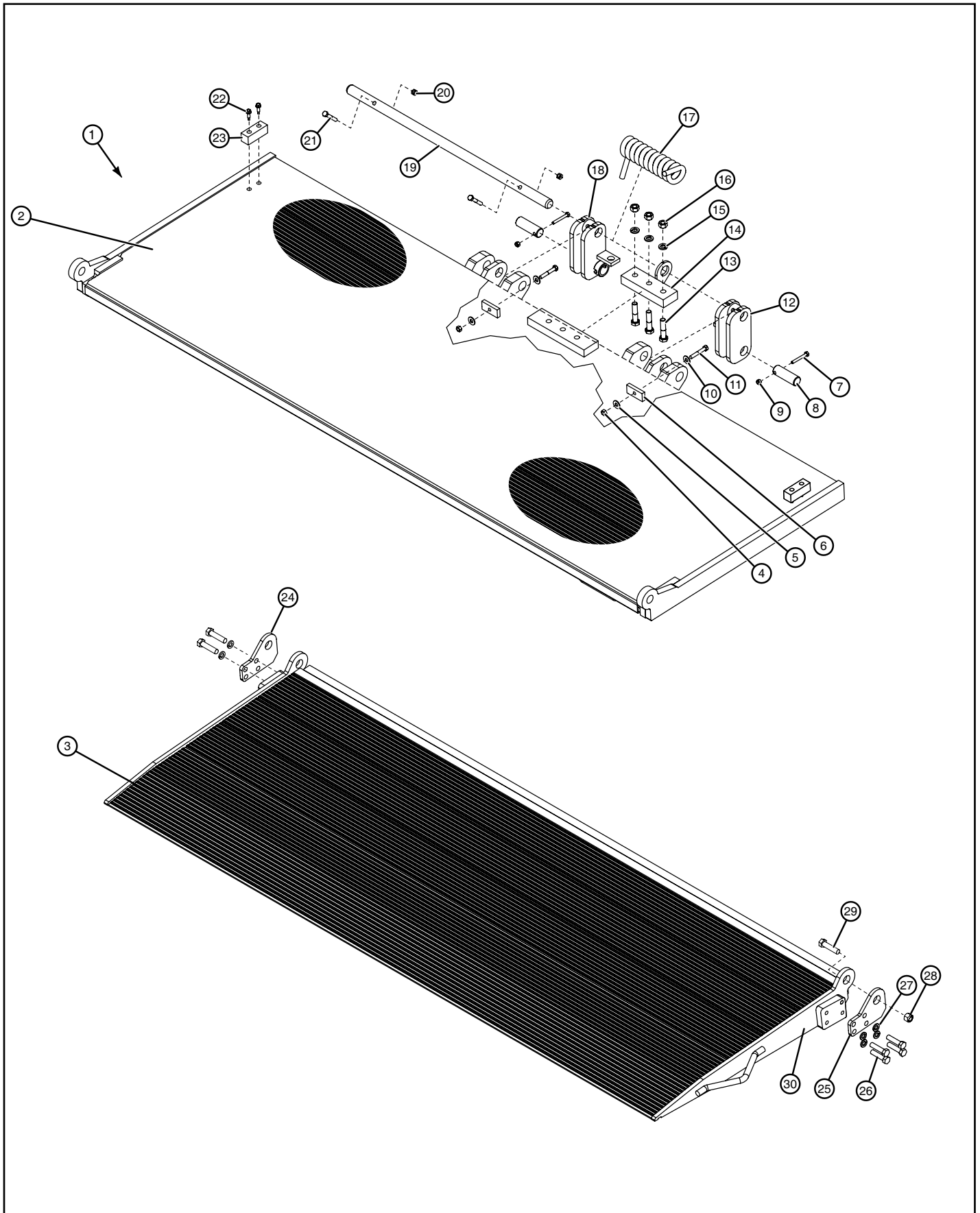
## 14.2 SG-897 Steel Platform Assembly with Cart Stops





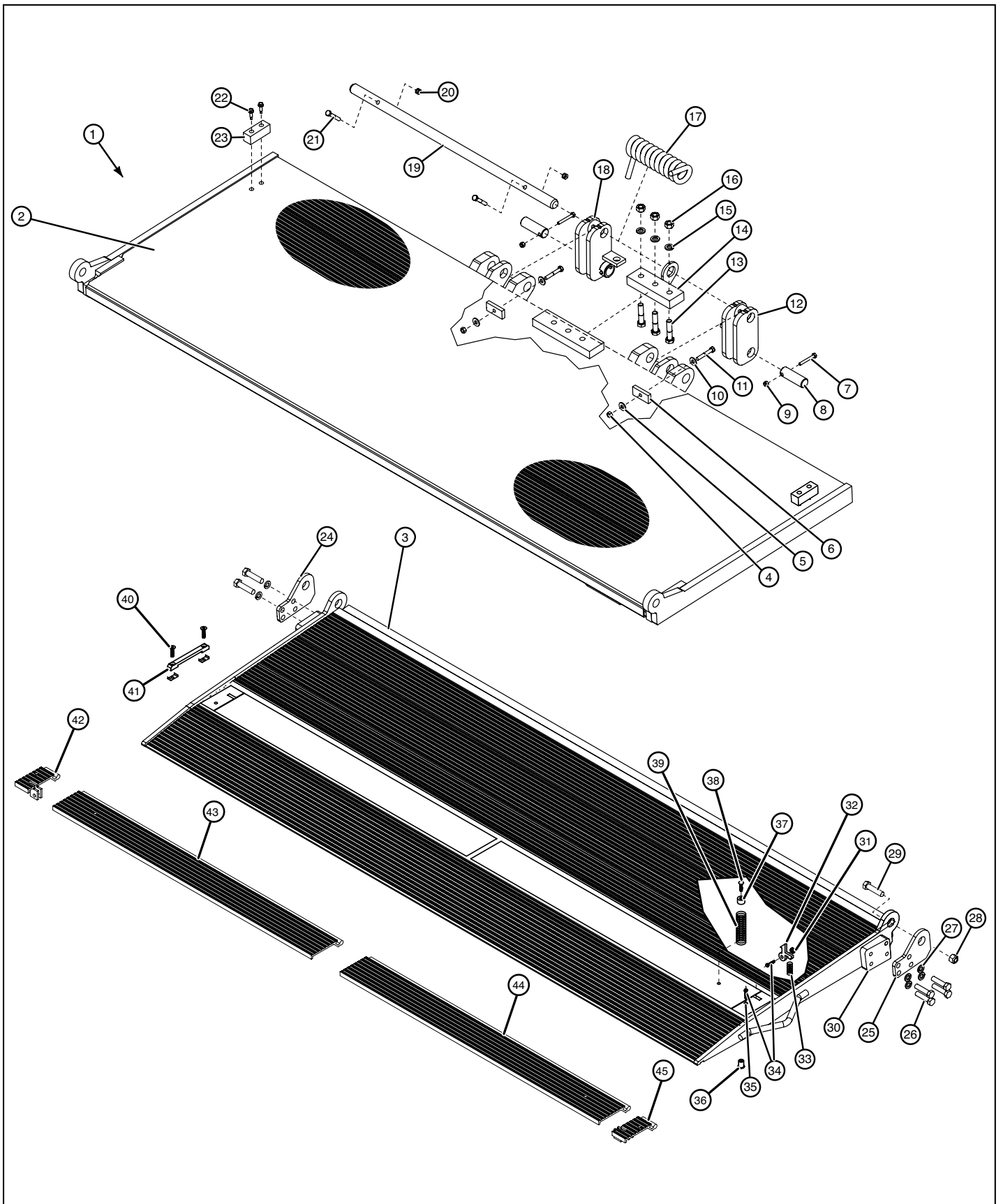
Item	Part Number	Description	Qty.
1	ATU-801	STEEL PLATFORM ASSEMBLY, COMPLETE, 80" X 50" STEEL WEDGE	1
2	ATU-809	STEEL PLATFORM MAIN SECTION, 80 X 50 WEDGE, 80 X 45 + 6 RAMPED, AND 80 X 48 + 12 ARR PLATFORM	1
3	SG-897-01	STEEL PLATFORM FLIP SECTION, 80" X 50" STEEL WEDGE WITH CART STOPS	1
4	ATU-326-M	SPRING, PLATFORM ASSIST - FLIP TO MAIN	2
5	ATU-647	PIN: FLIP TO MAIN PLATFORM (DIAM: 1", 5.935" LONG)	2
6	ATU-944	FASTENER KIT	2
a	A-131146	3/8-24 X 2.5" BOLT	2
b	A-1321150	SPACER	2
c	A-132251	M10 FLAT WASHER	4
d	2184	3/8-16 LOCKNUT	2
7	A-132026	COTTER PIN: 1/4" DIAM X 1.5" LONG, STAINLESS STEEL	2
8	A-140090	BUMPER PAD	2
9	2051	1/4" FLAT WASHER	4
10	S-047004	1/4-20 X 1" SLOTTED ROUND HEAD BOLT	4
11	2029	1/4-20 FLANGED LOCKNUT	4
12	ATU-1485	CAM PLATE PIN	2
13	ATU-358	1/4-20 X 2" GRADE 8 BOLT	2
14	ATU-359	1/4-20 LOCKNUT	2
15	ATU-704	50" WEDGE CAM ASSY. 4-3/4" RH	1
16	ATU-071	14GA SHIM FOR LEVELING STEEL PLATFORMS	—
17	ATU-140070 ATU-140071	SPRING - MAIN PLATFORM RH SPRING - MAIN PLATFORM LH)	1
18	ATU-705	50" WEDGE CAM ASSY. 4-3/4" LH	1
19	ATU-104	PIN - PLATFORM AND CAMS	1
20	862	5/16-18 LOCKNUT	2
21	869	5/16-18 X 2" HEX BOLT	2
22	ATU-647	PIN: FLIP TO MAIN PLATFORM	2
23	A-140079 A-140079-P	CART STOP PARTS GROUP - CURBSIDE (OLD STYLE STEEL PARTS) CART STOP PARTS GROUP - CURBSIDE (OLD STYLE STEEL PARTS)	1
24	A-140035 A-140035-P	CART STOP PARTS GROUP - STREETSIDE (OLD STYLE STEEL PARTS) CART STOP PARTS GROUP - STREETSIDE (OLD STYLE STEEL PARTS)	1
25	A-140048	SPRING, CART STOP (OLD STYLE STEEL)	2
26	A-140081	CART STOP HANDLE WELDMENT, CURBSIDE (OLD STYLE STEEL)	1
27	A-140082 A-140082-G A-140082-P	CART STOP CHANNEL WELDMENT (OLD STYLE STEEL) CART STOP CHANNEL WELDMENT (OLD STYLE STEEL) CART STOP CHANNEL WELDMENT (OLD STYLE STEEL)	2
28	A-140037	BLOCK, CART STOP (OLD STYLE STEEL)	2
29	A-140080	CART STOP HANDLE WELDMENT, STREETSIDE (OLD STYLE STEEL)	1
30	2184	3/8-16 LOCKNUT	8
31	2058	3/8" FLAT WASHER	8
32	2054	3/8" LOCKWASHER	8
33	25	3/8-16 X 1.5" HEX BOLT	8

### 14.3 ATU-1402 Aluminum Platform Assembly



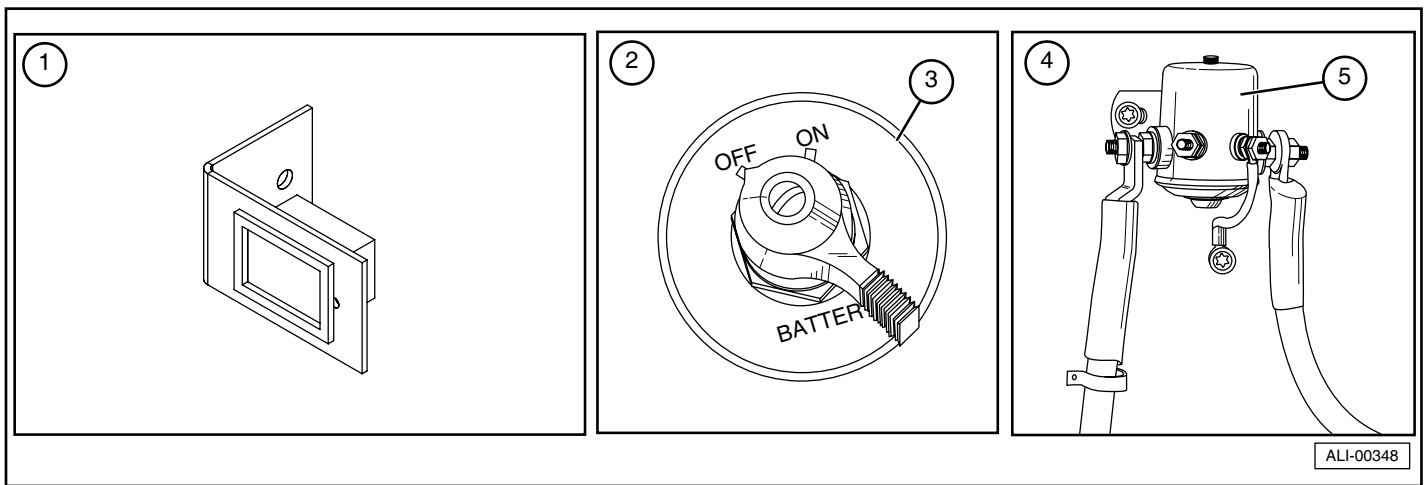
Item	Part Number	Description	Qty.
1	ATU-1402	ALUMINUM PLATFORM ASSEMBLY, COMPLETE, 80" X 50" ALUMINUM WEDGE	1
2	ATU-1379	ALUMINUM PLATFORM MAIN SECTION, 80 X 45 + 6 ALUMINUM RAMPED, OR 80 X 50 ALUMINUM WEDGE PLATFORM	1
3	ATU-1398	ALUMINUM PLATFORM FLIP SECTION, 80" X 50" ALUMINUM WEDGE PLATFORM	1
4	862	5/16-18 LOCKNUT	6
5	2110	5/16" FLAT WASHER	2
6	ATU-1404	CAM PLATE	1
7	ATU-358	1/4"-20 X 2.0" H/C/S ZP	2
8	ATU-1485	CAM PLATE PIN	2
9	ATU-359	1/4-20 TOP L/N GR. C ZP	2
10	2110	5/16" FLAT WASHER	2
11	869	5/16-18 X 2" HEX BOLT	2
12	ATU-028	CAM PLATE ASSY.	1
13	A-132043	BOLT	3
14	A-150672	PLATE	1
15	1691	1/2" LOCKWASHER	3
16	3139	1/2-13 NUT	3
17	ATU-100-L	SPRING, PLATFORM ASSIST - FLIP TO MAIN	1
18	ATU-028	CAM PLATE ASSY.	1
19	ATU-104	PIN - PLATFORM AND CAMS	1
20	862	5/16-18 LOCKNUT	2
21	869	5/16-18 X 2" HEX BOLT	2
22	A-150159	SCREW, SELF DRILLING	4
23	A-140090	WEAR PAD/BUMPER	2
24	ATU-1332	PLATFORM HINGE WELDMENT	1
25			
26	A-132274	3/8-16 X 2" GR 8 BOLT	8
27	2054	3/8 LOCK WASHER	8
28	A-132269	LOCKNUT	2
29	A-132270	BOLT	2
30	ATU-1333	SPACER	2

# 14.4 ATU-1403 Aluminum Platform Assembly with Cart Stops



Item	Part Number	Description	Qty.
1	ATU-1402	ALUMINUM PLATFORM ASSEMBLY, COMPLETE, 80" X 50" ALUMINUM WEDGE	1
2	ATU-1379	ALUMINUM PLATFORM MAIN SECTION, 80 X 45 + 6 ALUMINUM RAMPED, OR 80 X 50 ALUMINUM WEDGE PLATFORM	1
3	ATU-1398	ALUMINUM PLATFORM FLIP SECTION, 80" X 50" ALUMINUM WEDGE PLATFORM	1
4	862	5/16-18 LOCKNUT	2
5	2110	5/16" FLAT WASHER	2
6	ATU-1404	CAM PLATE	2
7	ATU-358	1/4"-20 X 2.0" H/C/S ZP	2
8	ATU-1485	CAM PLATE PIN	2
9	ATU-359	1/4-20 TOP L/N GR. C ZP	2
10	2110	5/16" FLAT WASHER	2
11	869	5/16-18 X 2" HEX BOLT	2
12	ATU-028	CAM PLATE ASSY.	1
13	A-132043	BOLT	3
14	A-150672	WELDMENT	1
15	1691	1/2" LOCKWASHER	3
16	3139	1/2-13 NUT	3
17	ATU-100-L	SPRING, PLATFORM ASSIST - FLIP TO MAIN	1
18	ATU-028	CAM PLATE ASSY.	1
19	ATU-104	PIN - PLATFORM AND CAMS	1
20	862	5/16-18 LOCKNUT	2
21	869	5/16-18 X 2" HEX BOLT	2
22	A-150159	SCREW, SELF DRILLING	4
23	A-140090	WEAR PAD/BUMPER	2
24	ATU-1332	PLATFORM HINGE WELDMENT	1
25			
26	A-132274	3/8-16 X 2" GR 8 BOLT	8
27	2054	3/8 LOCK WASHER	8
28	A-132269	LOCKNUT	2
29	A-132270	BOLT	2
30	ATU-1333	SPACER	2
31	862	5/16-18 LOCKNUT	2
32	A-150903	LATCH, CARTSTOP	2
33	A-150904	COMPRESSION SPRING	2
34	6608	5/16-18 X 1" HEX BOLT	4
35	6611	5/16 SPLIT LOCKWASHER	2
36	A-132099	5/16-18 THREADED INSERT	4
37	A-150910	SPRING STEM	2
38	A-132031	5/16-18 X .75" BUTTONHEAD BOLT	2
39	A-150911	COMPRESSION SPRING	2
40	A-132259	1/4-20 X 1" FLATHEAD BOLT	2
41	A-140257	CLAMP BAR	1
42	A-150909	CARTSTOP BRACKET WELDMENT, STREETSIDE (LH), ALUMINUM	1
43	A-140264	CARTSTOP FLIPPER, STREETSIDE (LH), ALUMINUM	1
44	A-140263	CARTSTOP FLIPPER, CURBSIDE (RH), ALUMINUM	1
45	A-150908	CARTSTOP BRACKET WELDMENT, CURBSIDE (RH), ALUMINUM	1

## 15. Fuse Assembly and Miscellaneous Accessories



Item	Part Number	Description	Qty.
1	A-133354	CYCLE COUNTER KIT	1
2	A-133038	CUT-OFF SWITCH KIT - MANUALLY OPERATING	1
3	A-150031	SWITCH, CUT-OFF - MANUALLY OPERATING	1
4	A-133036	CUT-OFF SOLENOID KIT	1
5	A-150263	CUT-OFF SOLENOID	1



## 16. Safety and Instructional Decals

### 16.1 General Information

**SAFETY  
INSTRUCTIONS**



To prevent personal injury from not being aware of safety recommendations, make sure appropriate decals are attached to any liftgate replacement part that contained that decal initially.

To ensure the greatest level of safety, all decals must be attached to specified replacement parts and must be legible at all times. Remember, it is the users' or maintenance personnel's responsibility to make sure these decals are attached to the replacement parts.

### 16.2 Decal Part Numbers

Item	Part Number	Description	Qty.
—	ATU-953	DECAL KIT - 1500 LB. MODEL	1
—	ATU-954	DECAL KIT - 1800 LB. MODEL	1
—	ATU-955	DECAL KIT - 2000 LB. MODEL	1
—	ATU-956	DECAL KIT - 2500 LB. MODEL	1
—	ATU-957	DECAL KIT - 3000 LB. MODEL	1
—	ATU-958	DECAL KIT - 3500 LB. MODEL	1
1	A-131017	DECAL: NOTE - DISENGAGE LATCH	1
2	A-131028	DECAL: WELD WARNING	1
3	A-131034	DECAL: ANTHONY LABEL	1
4	A-131115	DECAL: WARNING, PERSONAL INJURY	1
5	A-131133	DECAL: HYDRAULIC FLUID	1
6	A-150238	DECAL: NOTICE - PROTECTED WITH ELECTRICAL OVERLOAD CIRCUIT BREAKER	1
7	A-150601	DECAL: MADE IN THE USA	1
8	ATU-141	DECAL: AFTER USING LIFTGATE	1
9	A-131015 ATU-175 A-131020 ATU-174 ATU-147 ATU-177	DECAL: 1500 LB. MAXIMUM CAPACITY DECAL: 1800 LB. MAXIMUM CAPACITY DECAL: 2000 LB. MAXIMUM CAPACITY DECAL: 2500 LB. MAXIMUM CAPACITY DECAL: 3000 LB. MAXIMUM CAPACITY DECAL: 3500 LB. MAXIMUM CAPACITY	1
10	ATU-423	DECAL: OPERATING INSTRUCTIONS	1
11	A-131036	DECAL: WARNING, 200 AMP FUSE CHANGING PROCEDURE (attached to power cable)	1
12	A-131001	DECAL: 10 AMP FUSE CHANGING PROCEDURE (attached to control wiring in pump box)	1
13	A-131025	DECAL: WARNING, WELDING GALVANIZED/STAINLESS STEEL PARTS (attached only to galvanized liftgates)	1

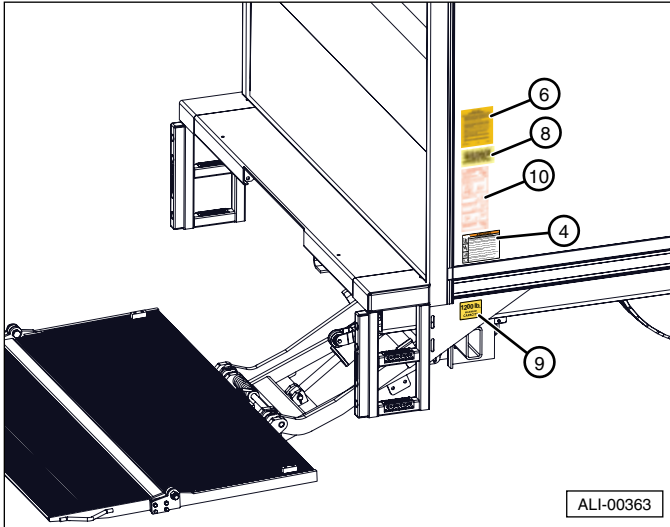
# 17. Decals

## SAFETY INSTRUCTIONS

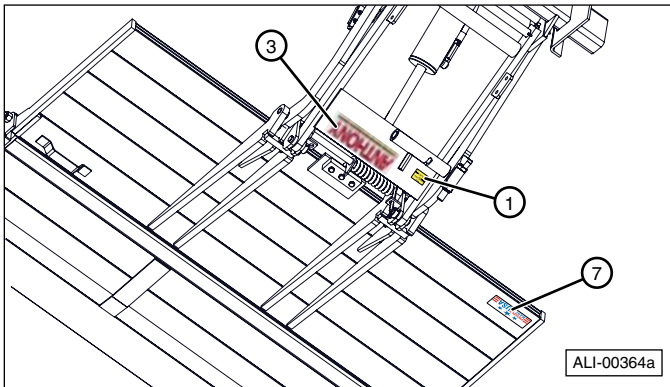


To prevent possible injuries due to improper operation, make sure all decals are attached to the liftgate and truck and are legible.

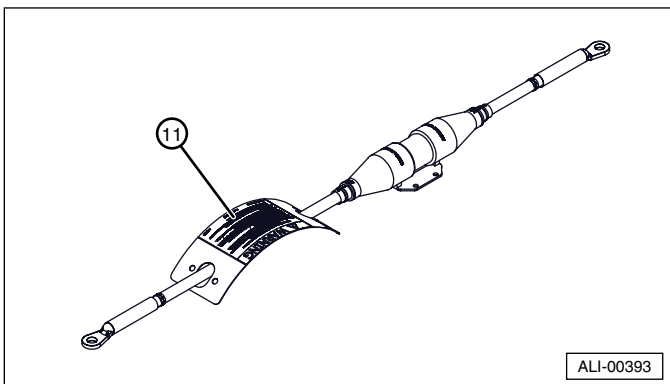
1. Attach decals 4, 6, 8, 9, and 10 to the truck body, as shown.



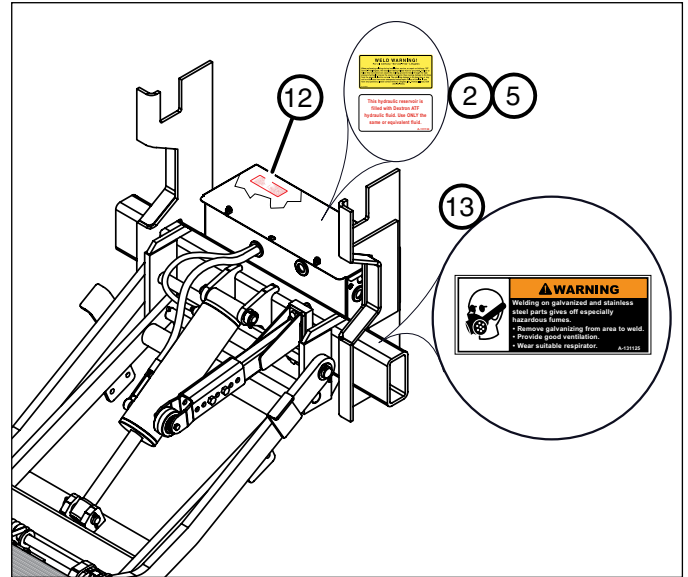
2. Make sure factory-installed decals 1, 3, and 7 are attached to the lift arms and platform.



3. Make sure the factory-installed fuse changing decal is on the power cable and is visible near the location of the fuse.



4. Make sure factory-installed decals 2, 5, 12, and 13 are installed on the power unit and on the adapter frame tube.



Item	Part Number	Description
1*	A-131017	Note - Disengage Latch
2*	A-131028	Weld Warning
3*	A-131034	Anthony Label
4	A-131115	Warning, Personal Injury
5*	A-131133	Hydraulic Fluid
6	A-150238	Notice - Protected With Electrical Overload Circuit Breaker
7*	A-150601	Made In The USA
8	ATU-141	After Using Liftgate
9	A-131015 ATU-175 A-131020 ATU-174 ATU-147 ATU-177	1500 Lb. Maximum Capacity 1800 Lb. Maximum Capacity 2000 Lb. Maximum Capacity 2500 Lb. Maximum Capacity 3000 Lb. Maximum Capacity 3500 Lb. Maximum Capacity
10	ATU-423	Operating Instructions
11*	A-131036	Warning, 200 Amp Fuse Changing Procedure (attached to power cable)
12*	A-131001	10 Amp Fuse Changing Procedure (attached to control wiring in pump box)
13*	A-131125	Warning, Galvanized Fumes Hazard

\*Factory Installed – Installer must make sure all decals are attached, as shown.

1 — A-131017

**Note:**

**Disengage "latch" before attempting to use liftgate.**

**Engage "latch" after using liftgate.**

A-131017

2 — A-131028

**WELD WARNING!**  
For all Anthony "Service-Free" Liftgates

When performing welding during installation, service, or repair on Anthony "SF" Service-Free liftgates, the actual part being welded must be grounded. Failure to follow this instruction can cause the welding ground to travel through the high pressure hydraulic hose as the source of ground, thus causing damage to the hose from the powerful electric current. The resulting damage to the hose may or may not be visible and can cause unexpected catastrophic failure of the lift. If you have any questions, please contact Anthony Liftgates, Inc., Pontiac, Illinois, USA (800-482-0003).

A-131028

3 — A-131034

**ANTHONY**  
**LIFTGATES, INC.®**

**⚠ CAUTION SECURE LATCH WHILE IN TRANSIT.**

A-131034

4 — A-131115

**ANTHONY LIFTGATES, INC. ⚠ WARNING**

**PERSONAL INJURY HAZARD**

Operation may require user to stand on platform. To prevent injury or death of operators or bystanders:

- Read and follow operator/owner manual for safety, operation, inspection, and maintenance instructions.
- Do not place unstable or unsafe loads on platform.
- Do not allow loads to extend over edge of platform.
- Do not exceed capacity or use liftgate for anything other than intended purpose.
- Be aware of surroundings when operating liftgate.
- Do not allow body parts to contact moving components.
- Ensure footing is stable and stand away from edge before raising or lowering platform.
- Owner/operators must properly maintain liftgate.

A-131115

5 — A-131133

**This hydraulic reservoir is filled with Kendall Glacial Blue hydraulic fluid. Use ONLY the same or equivalent fluid.**

A-131133

6 — A-150238

**NOTICE**

**THIS LIFTGATE IS PROTECTED WITH AN ELECTRICAL OVERLOAD CIRCUIT PROTECTION DEVICE, EITHER A CIRCUIT BREAKER, OR A FUSE, AND IS LOCATED NEAR THE POWER SUPPLY**

A-150238



**AFTER USING LIFTGATE, SECURE LATCH AND, IF EQUIPPED WITH POWER CUT OFF SWITCH, TURN OFF POWER TO PREVENT UNAUTHORIZED USE OF LIFTGATE.**

ATU-141

**1500 lb.**  
MAXIMUM  
CAPACITY

A-131015

**1800 lb.**  
MAXIMUM  
CAPACITY

ATU-175

**2000 lb.**  
MAXIMUM  
CAPACITY

A-131020

**2500 lb.**  
MAXIMUM  
CAPACITY



ATU-174

**3000 lb.**  
MAXIMUM  
CAPACITY

ATU-147

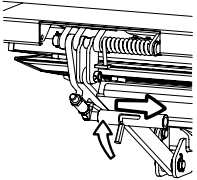
**3500 lb.**  
MAXIMUM  
CAPACITY

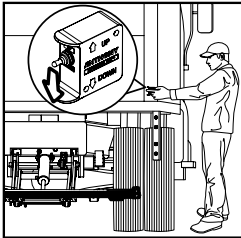
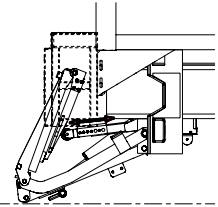
ATU-177

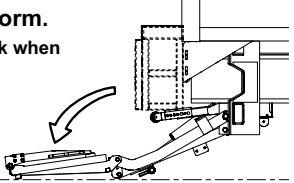
**CAUTION**   Make sure the proper “MAXIMUM CAPACITY” decal is placed on the truck for the appropriate lifting capacity of the liftgate being installed. Do not put a higher rated decal on a liftgate with a lower capacity; this could result in liftgate damage or possibly personal injury.

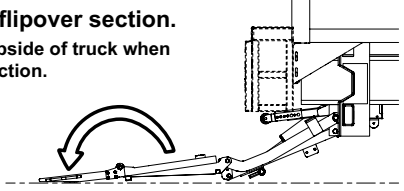
**ANTHONY TUCKUNDER LIFTGATES  
OPERATING INSTRUCTIONS**

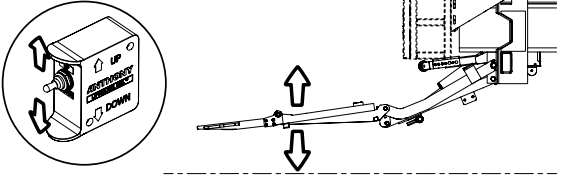
- 1. Raise (twist) latch pin handle upwards and then slide pin sideways to release.**  
Do not force the latch. Liftgate may need to be slightly raised or lowered to release pressure on latch pin.

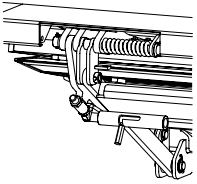

- 2. Press control switch DOWN until folded platform rests on ground.**  
Always stand on curbside of truck when raising or lowering platform with control switch.



- 3. Manually unfold main platform.**  
Always stand on curbside of truck when unfolding platform.


- 4. Manually unfold flipover section.**  
Always stand on curbside of truck when unfolding flipover section.


- 5. Raise and lower platform using UP and DOWN functions of control switch.**


- 6. Reverse steps to fold and store platform. Make sure platform is locked in storage position with latch pin after use.**

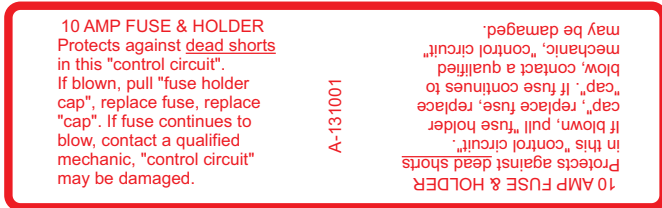


ATU-423

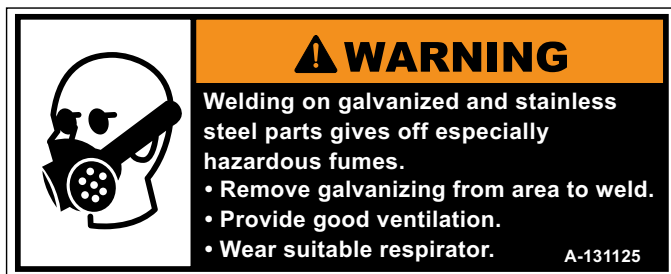
11 — A-131036 (attached to power cable)



12 — A-131001 (attached to control cable)



13 — A-131125 (attached only to galvanized liftgates)







**ANTHONY**  
LIFTGATES, INC.®

**AST • AST-L •  
AST-PLUS**



**ANTHONY LIFTGATES, INC.**  
**1037 W. HOWARD ST. • P.O. BOX 615**  
**PONTIAC, IL 61764-0615**  
**PH: 815-842-3383**  
**FAX: 815-844-3612**  
**TOLL FREE: 800-482-0003**  
**WWW.ANTHONYLIFTGATES.COM**