

ANTHONY
LIFTGATES, INC.®

MTU-GLR-XL



*Shown with
optional features

TUCKUNDER™ SERIES

LIFTING CAPACITIES (LBS):
3000, 4000

PATENT(S) PENDING

KEY ADVANTAGES

- 1. Industry-Leading Platform Size**
Unique three-piece folding platform provides 50% more load area than other liftgates in its class.
- 2. HD Mechanical Safety Latch**
Redundant-system stowage in addition to hydraulic lock.
- 3. Twin Cylinder Drive**
Power lift with low pressures helps to extend hydraulic component life.
- 4. Hybrid GLR Ride**
Platform travels near level in motion, with gentle automatic tilt at the ground.
- 5. Grease Free**
Service free bushings, used at all critical pivot points, reduce wear and never require lubrication.



QUALITY, RELIABILITY, CUSTOMER SERVICE

MADE IN THE USA 

STANDARD FEATURES

- **Spring Assist Platform**
System of springs provides easy platform operation.
- **Grounded Contact Rollers**
Rollers prevent scraping damage to liftgate and concrete or asphalt.
- **Power Down**
Reliable cycle time in all weather conditions.
- **EZ Mount**
Ships factory assembled, filled, and tested for easy installation. Bolt-On Ready
- **Circuit Protection**
200 Amp fuse protects truck wiring from a "Dead short"
- **CHS- Centralized Hydraulic System**
All sensitive hydraulic and electrical components housed safely within the stainless pump box
- **Max Duty Dock Bumpers**
Helps protect floor extension from contact with dock. Includes rubber bumpers
- **Marine Duty Potted Toggle Switch**
Heavy duty toggle, potted to permanently separate and seal electrical connections from corrosion.
- **3/8" Steel Floor Extension**
Rugged and attractive surface provides traction
- **Industry-Leading Warranty**
3 Years mechanical + 3 years electrical & hydraulic, parts & labor
- **Pressure Compensated Flow Valves**
Constant, controlled speeds at all times. Prevents "free-fall" under certain hydraulic failures.
- **Cab Cut-Off Switch**
Prevents unauthorized liftgate operation.

QUALITY COMES STANDARD

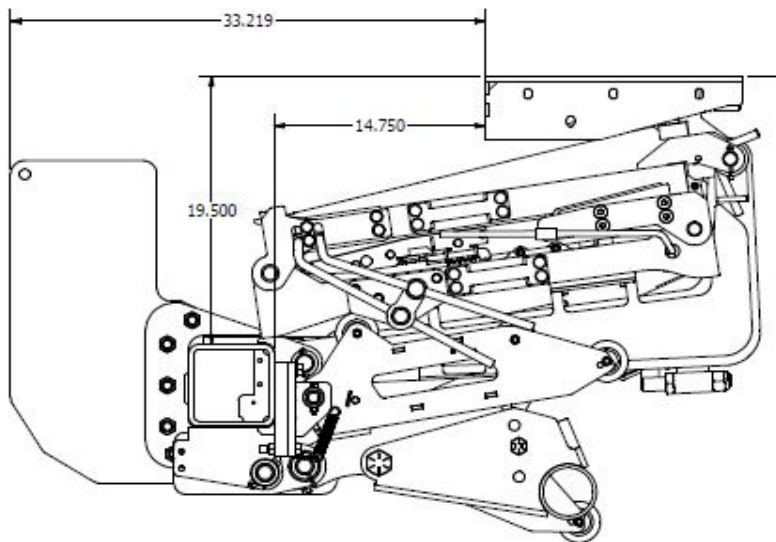
AVAILABLE MODELS, PLATFORMS AND CAPACITIES

Model	MTU-GLR-XL-3	MTU-GLR-XL-4
Capacity (lbs)	3000	4000
Bed Height	47" - 57"	
Available Platforms		
84" x 90" Aluminum Wedge		

OPTIONS

- Alternate Floor Extensions
- Wireless, Corded Pendant, Flush Mount, or Dual Control Options
- Stainless Steel Toggle Switch Guard
- Trailer Power Kits - Dual Pole, 7-Way, Solar, and More
- Galvanized finish with extended warranty
- Trailer Certified Rear Underride Guard
- Ignition Cutoff Switch
- Trailer Sub Frame Mounting Kit
- Dual, Foot-Operated Cart Stops

TRUCK MOUNTING REQUIREMENTS



Anthony Liftgates, Inc.

1037 W. Howard Street
P.O. Box 615
Pontiac, IL 61764-0615

Phone: 815.842.3383

Fax: 815.844.3612

Toll Free: 800.482.0003

www.anthonyliftgates.com